



WW38

50- 250W PAR38



5 Holt Drive,
Stony Point, NY 10980
845-947-3034
info@tslight.com

The WW38 wall wash unit is ideal for applications that require evenly lighting vertical surfaces from top to bottom. This flat back cylinder has sharp cut off and a special reflector system that accepts PAR38 lamps from 50 to 250-watts. Equipped with an internal accessory holder that accepts louvers, barndoors, hoods and filters.

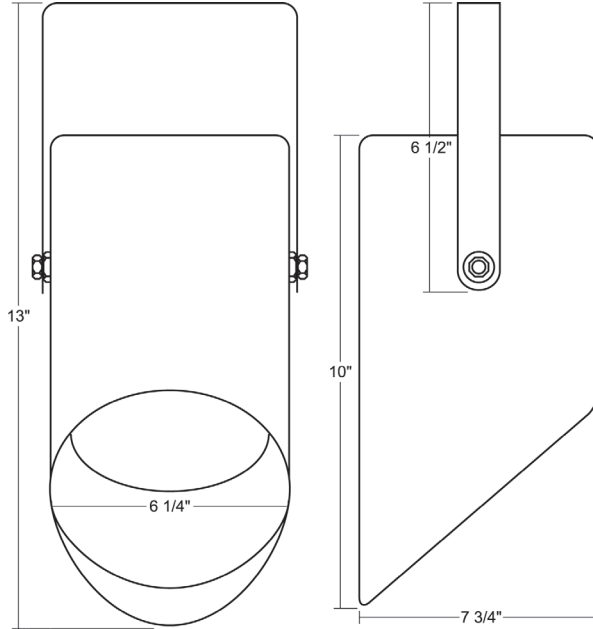
Wrench-lock yoke. Available in black, white and silver finishes. Custom colors are available by request and at an additional charge.

Manufactured in the USA - IBEW



Features

- 120-volt
- Accepts PAR38 lamps from 50 to 250-watts
- Wrench-lock yoke
- Numerous mounting options and accessories
- Weight: 2.3 lbs



Lamp Types

50PAR/HIR/SPI0	50W; 3000Hrs; 10° Beam; 14000 CBCP; 2810°K Color Temp
50PAR/HIR/FL30	50W; 3000Hrs; 30° Beam; 3000 CBCP; 2810°K Color Temp
60PAR/HIR/SPI0	60W; 3000Hrs; 10° Beam; 20000 CBCP; 2875°K Color Temp
60PAR/HIR/FL30	60W; 3000Hrs; 30° Beam; 3600 CBCP; 2875°K Color Temp
60PAR/HIR/FL40	60W; 3000Hrs; 40° Beam; 2000 CBCP; 2875°K Color Temp
80PAR/HIR/SPI0	80W; 3000Hrs; 10° Beam; 25000 CBCP; 2900°K Color Temp
80PAR/HIR/FL25	80W; 3000Hrs; 25° Beam; 5500 CBCP; 2900°K Color Temp
90PAR/HIR/SPI0	90W; 2500Hrs; 10° Beam; 16000 CBCP; 2870°K Color Temp
90PAR/HIR/SPI2/XL	90W; 6000Hrs; 12° Beam; 12000 CBCP; 2800°K Color Temp
90PAR/HIR/FL25	90W; 2500Hrs; 25° Beam; 4100 CBCP; 2870°K Color Temp
90PAR/H/CB/FL25	90W; 2500Hrs; 25° Beam; 4100 CBCP; 2870°K Color Temp
90PAR/HIR/FL40/XL	90W; 6000Hrs; 40° Beam; 2800 CBCP; 2800°K Color Temp
100PAR/HIR/SPI0	100W; 3000Hrs; 10° Beam; 29000 CBCP; 2900°K Color Temp
100PAR/HIR/FL25	100W; 3000Hrs; 25° Beam; 6300 CBCP; 2900°K Color Temp
100PAR/HIR/FL40	100W; 3000Hrs; 40° Beam; 3400 CBCP; 2900°K Color Temp
Q250PAR/SPI0	250W; 4200Hrs; 10° Beam; 40000 CBCP; 2880°K Color Temp
Q250PAR/FL30	250W; 4200Hrs; 30° Beam; 9000 CBCP; 2880°K Color Temp

Model	Finish	Mounting	Accessories
WW38	B = Black W = White S = Silver CC = Custom Color	See Mounting Options	See Accessory Options

Example: WW38-B-TI-LV7

WW38-_____ - _____ - _____

Photometric Data

100PAR/HIR/FL40 40° - Aimed Straight Down

	WW38				WW38				
	0'	1'	2'	3'	0'	1'	2'	3'	4'
1' (Distance from Ceiling)	10.0	9.0	9.0	10.0	5.0	4.0	4.0	4.0	5.0
2'	11.0	10.9	10.9	11.0	6.1	5.7	5.5	5.7	6.1
3'	11.0	10.9	10.9	11.0	6.2	6.0	5.9	6.0	6.2
4'	11.4	11.3	11.3	11.4	6.2	6.2	6.1	6.2	6.2
5'	11.2	11.0	11.0	11.2	6.4	6.3	6.3	6.3	6.4
6'	10.9	10.7	10.7	10.9	6.4	6.3	6.3	6.3	6.4
7'	10.1	10.0	10.0	10.1	6.2	6.2	6.2	6.2	6.2
8'	9.0	9.2	9.2	9.1	6.1	6.1	6.0	6.1	6.1
9'	8.6	8.7	8.7	8.6	5.8	5.8	5.8	5.8	5.8
10'	8.2	8.0	8.0	8.2	5.5	5.5	5.5	5.5	5.5

3' from wall, 3' on center

4' from wall, 4' on center

Mounting Options

ADI

Track adapter for commercial grade 1 & 2 circuit track. 120V. For use with Lightweight fixtures.

T1

Track adapter for commercial grade 1 & 2 circuit track. 120V. For use with larger, heavier fixtures.

TA2 / HTA2 (277)

Track adapter for G-Series specification grade 2-circuit track. 120V or 277V.

TA3

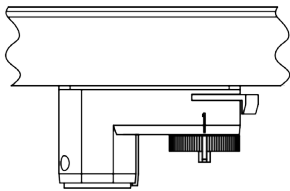
Track adapter for G-Series specification grade 3-circuit track. 120V.

TA1 / TE2 (2 circuit)

Track adapter for E-Series specification grade track. 1 or 2 circuit. 120V.

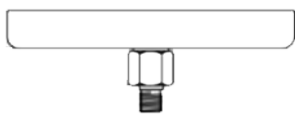
STA

2 circuit track adapter for Data Bus. Specification grade track. 120V.



CM4

Canopy mount.



US1

6 5/8" x 1 1/2" Unistrut adapter.



TB4

6 1/4" Portable wall mount/table base floor, wall or table use.

TB8

8" x 8" Portable table base for floor or table use.



MC

Light duty pipe clamp for small fixtures. For pipes up to 1 5/16" O.D.

MN

Medium duty pipe clamp for small to large fixtures. For pipes up to 2" O.D.

PC9M

Heavy duty pipe clamp for large, heavy fixtures. For pipes up to 2" O.D.



Accessories

LV7	Louver
CF7	Color Frame
GF7	Glass Color Filter
DF7	Dichroic Color Filter
GF7-600	5°x50° Linear Lens
GF7-601	Beam Softener
GF7-673	50°x50° Spread Lens
GF7-702	UV Blocking Filter
CC18	Coiled Cord
SC-24	Safety Cable
IP	Integral Dimmer

Light Blocking Screens

Stainless steel screens used singly or in combinations to block transmitted light without changing color temperature.

LBS7-20	20% Light Blocking
LBS7-30	30% Light Blocking
LBS7-40	40% Light Blocking

Extension Wands

SP 12	12" Stem
SP 18	18" Stem
SP 24	24" Stem
SP X	Custom Length

Finish

B	Black
W	White
S	Silver
CC	Custom Color

