



# CCR High Power

## CREE LED

The CCR High Power emphasizes efficiency and economy and boasts the highest lumens per watt rating of any Times Square Lighting fixture to date. It is designed for a short to medium throw applications. The CCR can be fitted with up to three accessories, including barn doors, louvers and lenses. This versatile fixture is available with a wide variety of mounting and dimming options, allowing for a huge range of customization possibilities.



5 Holt Drive,  
Stony Point, NY 10980  
845-947-3034  
info@tslight.com

The CCR is available in standard black, white, or silver finishes. Custom colors are available upon request.

Manufactured in the USA - IBEW



### Electrical

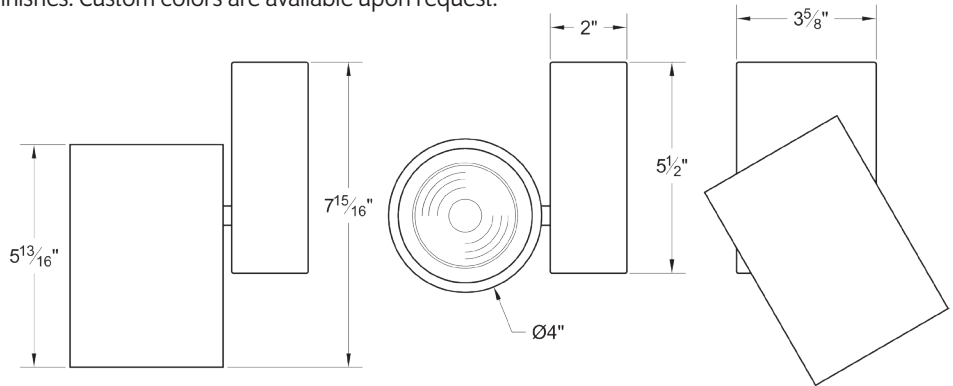
- Integral electronic driver
- 100-277V, 50/60Hz
- Meets FCC 47 CFR Part 15/18 Requirements

### Construction

- Steel & aluminum housing with black, white or silver finish
- Accepts up to 3 accessories
- Weight: 3 lbs.

### Dimming

- Trailing edge (ELV): 120V / 277V
- Leading edge (Triac): 120V / 277V
- 0-10V: 120V only (ControlTrac), 120-277V otherwise
- IP (Integral Pot) dimming available



### LED

- Cree XLamp LED array
- Color temp options: 2700K, 3000K, 3500K, 4000K, 5000K, 5700K, 6500K
- CRI: 80 standard or 92 optional
- Lumen maintenance: 90% of initial lumen output at 33,000 hours on LM-80 testing
- No UV or IR

Model	CRI	Total Wattage	Delivered Lumens	Efficacy (Lm/W)
CCR42	92	40	4200	105
CCR46	92	45	4600	102
CCR48	80	40	4800	120
CCR52	92	55	5200	95
CCR53	80	45	5300	118
CCR60	80	55	6000	109
CCR62	92	60	6200	103
CCR70	80	60	7000	116

\* Total wattage equals LED plus driver. Delivered lumen may vary depending on LED module, color temperature, optics, and accessories. Testing done with 3000K LED array.

### Ordering Matrix

Model	Lumens	CRI	Color Temp	Finish	Voltage	Optics	Mounting	Dimming †	Accessories
CCR	42=4200*	80	27 = 2700K	B = Black W = White S = Silver CC = Custom Color	100††	20 = 20° 40 = 40° 60 = 60°	See Mounting Options	TE = Trailing Edge*** LE = Leading Edge*** 010 = 0-10V ND = Non-Dimming IP = Integral Dimmer*** DMX = DMX Basic	See Accessory Options
	46=4600*		30 = 3000K						
	48=4800**	35 = 3500K							
	52=5200*	40 = 4000K							
	53=5300**	50 = 5000K							
	60=6000**	57 = 5700K**							
	62=6200*	65 = 6500K**							
	70=7000**								

Maximum ambient temperature: 35°C  
Maximum operating angle: 45° from vertical

\* 92 CRI Only \*\* 80 CRI Only  
\*\*\* 277V TE, LE and IP Dimming available on 4800 & 6000 lumen, 80 CRI and 4200 & 5200 lumen, 92 CRI only. 120V LE and TE dimming not available on 6200 lumen, 92 CRI or 7000 lumen, 80 CRI.

† See "Notes on Dimming" on reverse  
†† Non-dim or 0-10V dimming only

**Example:** CCR48-80-27-B-120-20-ADI-TE-LV3

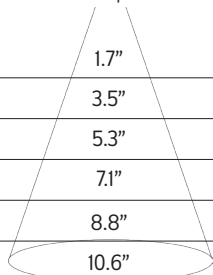
CCR \_\_\_\_\_ - \_\_\_\_\_ - \_\_\_\_\_ - \_\_\_\_\_ - \_\_\_\_\_ - \_\_\_\_\_ - \_\_\_\_\_ - \_\_\_\_\_

\* Specification sheets are subject to change without notice.

## Photometric Data

**20° Spot Reflector** Footcandles

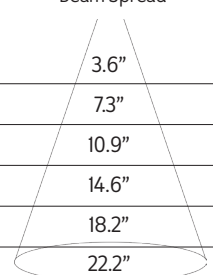
Beam Spread



Distance	Beam Spread	CCR42	CCR46	CCR48	CCR52	CCR53	CCR60	CCR62	CCR70
5'	1.7"	667	722	762	824	838	948	989	1112
10'	3.5"	167	181	191	206	93	105	110	123
15'	5.3"	74	80	84	92	93	105	110	123
20'	7.1"	41	45	48	52	52	59	62	69
25'	8.8"	26	29	31	33	34	38	40	44
30'	10.6"	18	20	21	23	23	26	28	31

**40° Medium Flood Reflector** Footcandles

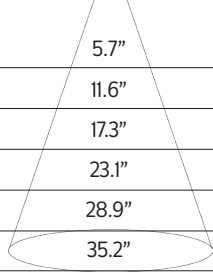
Beam Spread



Distance	Beam Spread	CCR42	CCR46	CCR48	CCR52	CCR53	CCR60	CCR62	CCR70
5'	3.6"	341	373	389	422	430	482	508	567
10'	7.3"	85	93	47	106	108	121	127	142
15'	10.9"	37	41	43	47	49	53	56	63
20'	14.6"	21	23	24	26	27	30	32	35
25'	18.2"	14	15	16	17	17	19	20	23
30'	22.2"	9	10	11	12	12	13	13	16

**60° Flood Reflector** Footcandles

Beam Spread



Distance	Beam Spread	CCR42	CCR46	CCR48	CCR52	CCR53	CCR60	CCR62	CCR70
5'	5.7"	199	218	229	246	251	285	294	333
10'	11.6"	50	55	57	62	63	71	74	83
15'	17.3"	22	24	25	27	28	31	33	37
20'	23.1"	12	13	14	15	16	18	18	21
25'	28.9"	8	9	9	10	10	11	11	13
30'	35.2"	5	6	6	6	7	8	8	9

### Notes on Dimming:

- TE** This means the fixture will work on *MOST* quality Trailing Edge dimmers. These dimmer types are also known as Reverse Phase or Electronic Low Voltage (ELV), and are available as wall mount and rack mount modules.
- LE** This means the fixture will work on *MOST* quality Leading Edge dimmers. These dimmer types are also known as Forward Phase, Incandescent, Halogen or Triac, and are available as wall mount and rack mount modules.
- 0-10** This means the fixture will work on *MOST* quality 0-10V or 1-10V dimmers. These dimmer types are also known as Fluorescent, and are available as wall mount and rack mount modules.
- IP** This means the fixture has a dimmer *BUILT IN* to the fixture itself, and will dim to about 50%. It has an integral potentiometer located on the bottom of the driver housing. This fixture *WILL NOT* function with *EXTERNAL* wall or rack dimmers.

It is impractical to test every fixture type with every dimmer type, and some combinations work better than others, while some not at all. It is advisable to pretest a particular fixture with an intended dimmer beforehand to insure that the combination will work as expected. Some dimmers will allow for full-range dimming, while others will only dim to 50%. Some dimmers will work well within a certain range, and perhaps flicker or shut off at the lowest settings, rendering that portion of the range unusable. Most if not all dimmers have a maximum LED load that can be applied, often as little as 10% of its nominally rated value. Dimming LEDs can actually extend their life expectancy, and will not affect the color temperature or CRI.

## Mounting Options

**T1** Track Adapter for commercial grade 1 & 2 circuit track. 120V. For use with larger, heavier fixtures.

**TA1** Track adapter for E-Series specification grade track. 1 or 2 circuit. 120V.

**TA2** Track adapter for G-Series specification grade 2-circuit track. 120V.

**HTA2** Track adapter for G-Series specification grade 2-circuit track. 277V.

**STA** 2 circuit track adapter for Data Bus. Specification grade track. 120V.

**TA3** Track adapter for G-Series specification grade 3-circuit track. 120V.

**CM4** Canopy Mount

**US1** 6<sup>5</sup>/<sub>8</sub>" x 1<sup>1</sup>/<sub>2</sub>" Unitrnut Adapter

**TB8** 8" x 8" Portable table base for floor and table use

**MC** Light duty pipe clamp for small fixtures. For pipes up to 1 5/16" O.D.

**MN** Medium duty pipe clamp for small to large fixtures. For pipes up to 2" O.D.

**PC9M** Heavy duty pipe clamp for large, heavy fixtures. For pipes up to 2" O.D.

## Accessories

<b>BD20</b>	Barndoor
<b>LV22</b>	Full Size Louver
<b>XL22</b>	Full Size X Baffle Louver
<b>XH22</b>	Full Size X Baffle Hood
<b>HD22</b>	Hood/Snoot

<b>X00517</b>	Accessory Holder
<b>LV18*</b>	Honeycomb Louver
<b>DF22*</b>	Glass Color Filter
<b>OF22-9101*</b>	Smoothing Frost Filter
<b>GF22-600*</b>	5x50 Linear Lens
<b>GF22-601*</b>	Solite Softner
<b>GF22-673*</b>	50 x 50 Spread Lens

<b>CC18</b>	Coil Cord Option
<b>SC024</b>	Safety Cable

\* X00517 Required

## Extension Wands

<b>SP 12</b>	12" Stem
<b>SP 18</b>	18" Stem
<b>SP 24</b>	24" Stem
<b>SP X</b>	Custom Length