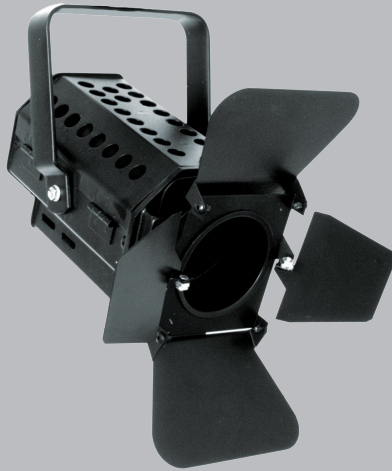


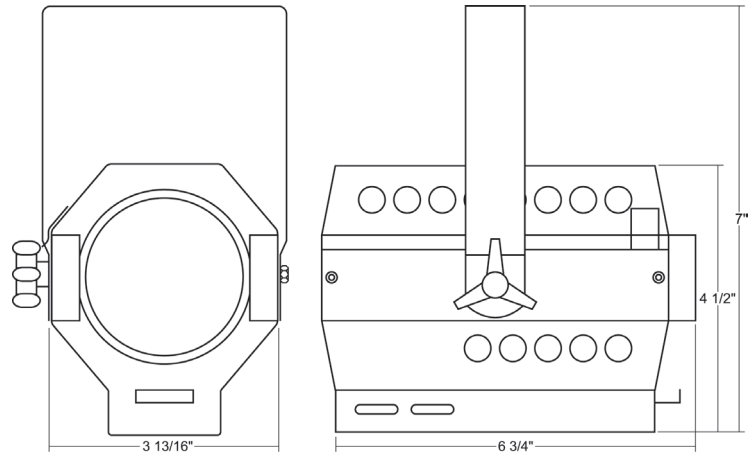
The C3MR16L combines theatrical style with architectural function. The unit accepts energy efficient MR16 lamps in a variety of beam spreads. External accessory holder accepts louvers, barn doors, hoods and filters. Hinged top for easy re-lamping. Comes in standard black, white and silver finishes. Custom colors are available by request and at an additional charge.

FEATURES

- Designed for 2-pin MR16 lamps and LEDs
- 120, 220 and 277-volt available
- Integral 12-volt dimmable transformer
- Theatrical design
- Numerous mounting options and accessories



**Shown with BD5 Barndoor option.*



MODEL NUMBER	FINISH	MOUNTING	ACCESSORIES
C3MR16L	B Black W White S Silver CC Custom Color	<p>AD1 Track Adapter. 1 or 2 Circuit track. 120V. T1 Track Adapter. E-Series. 1 or 2 Circuit. 120V. TA1 Track Adapter. G-Series. 2 Circuit. 120V. TA2 Track Adapter. G-Series. 2 Circuit. 120V. HTA2 Track Adapter. G-Series. 2 Circuit. 277V. TA3 Track Adapter. G-Series. 3 Circuit. 120V.</p> <hr/> <p>CM4 Canopy Mount.</p> <hr/> <p>US1 6 5/8" x 1 1/2" Unistrut Adapter.</p> <hr/> <p>TB4 6 1/4" Portable Wall Mount/Table Base Floor. TB8 8"x 8" Portable Table Base / Wall Plate.</p> <hr/> <p>MC Light Duty Pipe Clamp. For pipes up to 15/16" O.D. MN Medium Duty Pipe Clamp. For pipes up to 2" O.D. PC9M Heavy Duty Pipe Clamp. For pipes up to 2" O.D.</p>	<p>LV5 Louver BD5 Barndoor HD5 Hood CF5 Color Frame GF5 Glass Color Filter DF5 Dichroic Color Filter GF5-600 5°x50° Linear Lens GF5-601 Beam Softener GF5-673 50°x50° Spread Lens GF5-702 UV Blocking Filter CC18 Coiled Cord SC-24 Safety Cable IP Integral Dimmer</p>

EXAMPLE: C3MR16L - B - TA2 - LV5

MODEL NUMBER	FINISH	MOUNTING	ACCESSORIES
C3MR16L			