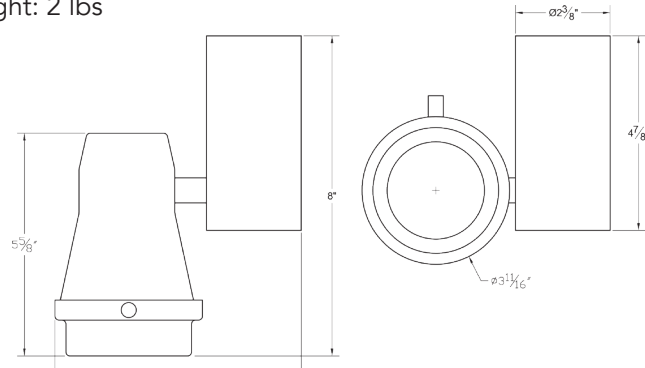




The 2016C is a low voltage fixture ideal for highlighting artwork, exhibits, and retail displays. The unit accepts energy efficient MR16 lamps and LEDs. The 2016C features an adjustable self-locking head and an electronic transformer. It has a hinged front that is easily opened for re-lamping and an internal accessory holder that can accommodate louvers, barn doors, hoods and a variety of filters. Comes in standard black, white and silver finishes. Custom colors are available by request and at an additional charge.

FEATURES

- Designed for 2-pin MR16 lamps and LEDs
- 120, 220 and 277-volt available
- Integral 12-volt dimmable electronic transformer
- Hinged front for easy re-lamping
- Multiple accessory holder
- Numerous mounting options
- Weight: 2 lbs



MODEL NUMBER	FINISH	MOUNTING	ACCESSORIES
2016C	B Black W White S Silver CC Custom Color	<p>AD1 Track Adapter. 1 or 2 Circuit track. 120V. T1 Track Adapter. E-Series. 1 or 2 Circuit. 120V. TA1 Track Adapter. G-Series. 2 Circuit. 120V. TA2 Track Adapter. G-Series. 2 Circuit. 120V. HTA2 Track Adapter. G-Series. 2 Circuit. 277V. TA3 Track Adapter. G-Series. 3 Circuit. 120V.</p> <hr/> <p>CM4 Canopy Mount.</p> <hr/> <p>US1 6 5/8" x 1 1/2" Unistrut Adapter.</p> <hr/> <p>TB4 6 1/4" Portable Wall Mount/Table Base Floor. TB8 8"x 8" Portable Table Base for Floor/Table Use.</p> <hr/> <p>MC Light Duty Pipe Clamp. For pipes up to 15/16" O.D. MN Medium Duty Pipe Clamp. For pipes up to 2" O.D.</p>	<p>LV3 Louver XL3 Cross Baffle Louver BD3 Barn Door HD3 Hood SH3 Sparkle Hood GF3 Glass Color Filter DF3 Dichroic Color Filter GF3-600 5°x50° Linear Lens GF3-601 Beam Softener GF3-673 50°x50° Spread Lens GF3-702 UV Blocking Filter CC18 Coiled Cord SC-24 Safety Cable WW3 Wall Wash Kicker w/ Spread Lens IP Integral Dimmer</p>

EXAMPLE: 2016C - B - TA2 - LV6

MODEL NUMBER	FINISH	MOUNTING	ACCESSORIES
2016C			