



MCR Series

Track Light



5 Holt Drive,
Stony Point, NY 10980
845-947-3034
info@tslight.com

The MCR is suited for medium to long throws. This power saving fixture can produce up to 175 lumens per watt. It features passive cooling, a long-life LED, and 1% dimming. Multiple mounting options, accessories, and dimming types are available.

Manufactured in the USA - IBEW



Electrical

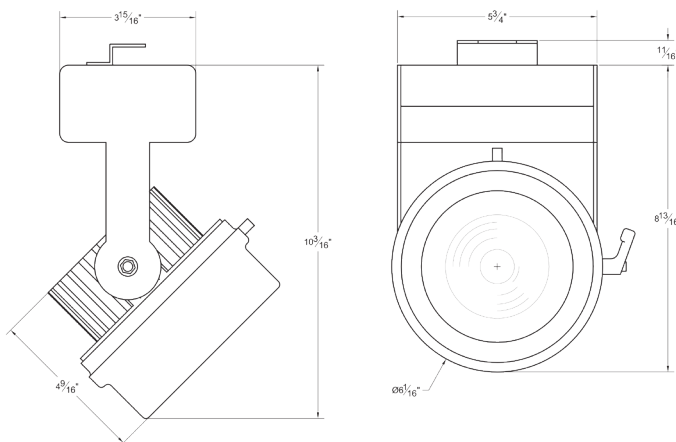
- Integral electronic driver
- 120-277V, 50/60Hz
- Meets FCC 47 CFR Part 15/18 Requirements

Construction

- Steel & aluminum housing with black, white or silver finish
- Weight: 3 lbs.

Dimming

- 1% dim for all 120V options except IP
- Trailing edge (ELV): 120V / 277V
- Leading edge (Triac): 120V only
- 0-10V: Canopy, STA, STA1 or HSTA mounting options only.
- IP (Integral Pot) dimming available
- Lutron ecosystem premier driver available, featuring dimming to 0.1% and soft on/soft off incandescent like dimming. Only available on fixtures 20 watts or less.



CRI	Lumens	Watts	Lumens per Watt
80	1000	5.7	175
80	2000	11.6	172
80	2800	16.4	171
80	3700	23	161
80	5000	35	143
92	800	5.7	140
92	1600	11.6	138
92	2200	16.4	134
92	3000	23	130
92	4100	35	117

Ordering Matrix

Model	Lumens	CRI	Color Temp	Finish
MCR	8 = 800* 10 = 1000** 16 = 1600* 20 = 2000** 22 = 2200* 28 = 2800** 30 = 3000* 37 = 3700** 41 = 4100* 50 = 5000**	80 92	27 = 2700K 30 = 3000K 35 = 3500K 40 = 4000K 57 = 5700K	B = Black W = White S = Silver CC = Custom Color
Voltage	Optics	Mounting	Dimming †	Accessories
120 240 277	20 = 20° 40 = 40° 48 = 48° 64 = 64°	See Mounting Options	TE = Trailing Edge*** LE = Leading Edge (120V Only) 010 = 0-10V IP = Integral Pot ‡ ECP = Ecosystem premier 0.1% dim	See Accessory Options

Maximum ambient temperature: 35°C
Maximum operating angle: 45° from vertical

* 92 CRI Only ** 80 CRI Only
*** Not available with 800 or 1000 lumen fixtures @ 277V

† See "Notes on Dimming" Page 3.
‡ Not available with 800, 1000, 5000 or 4100 lumen fixtures.

Example: MCR16-9230-B-120-40-CM4-TE

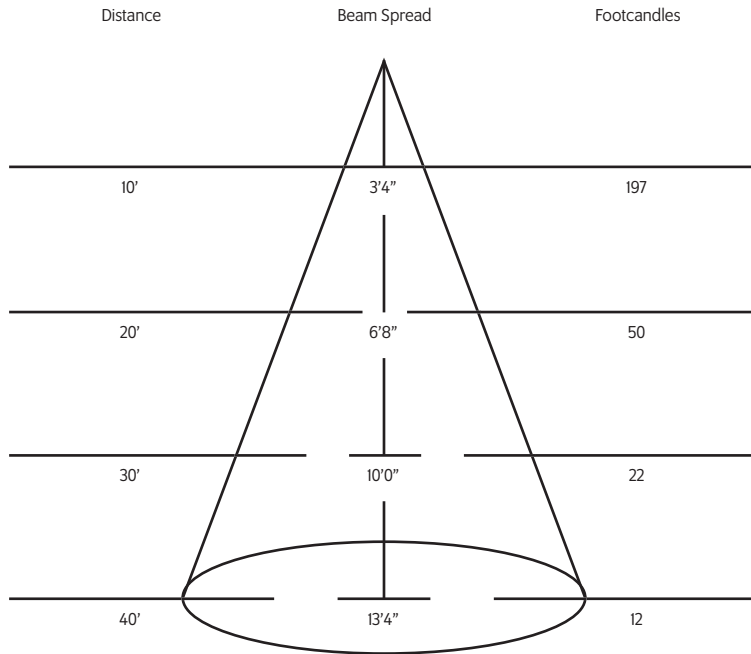
MCR- _____ - _____ - _____ - _____ - _____ - _____ - _____ - _____

* Specification sheets are subject to change without notice.

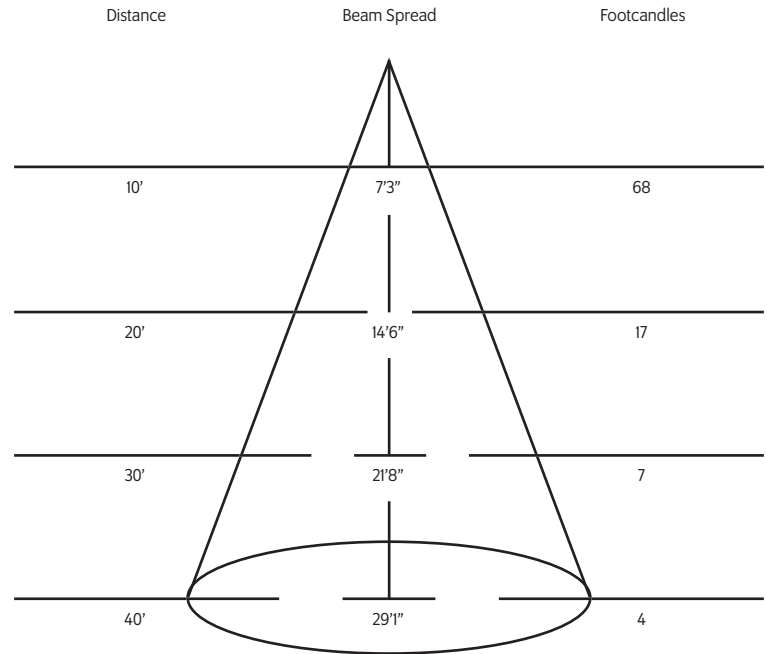
Photometric Data

Results for 5,000 Lumen Output. For other Lumen outputs, use the other lumen output multipliers chart.

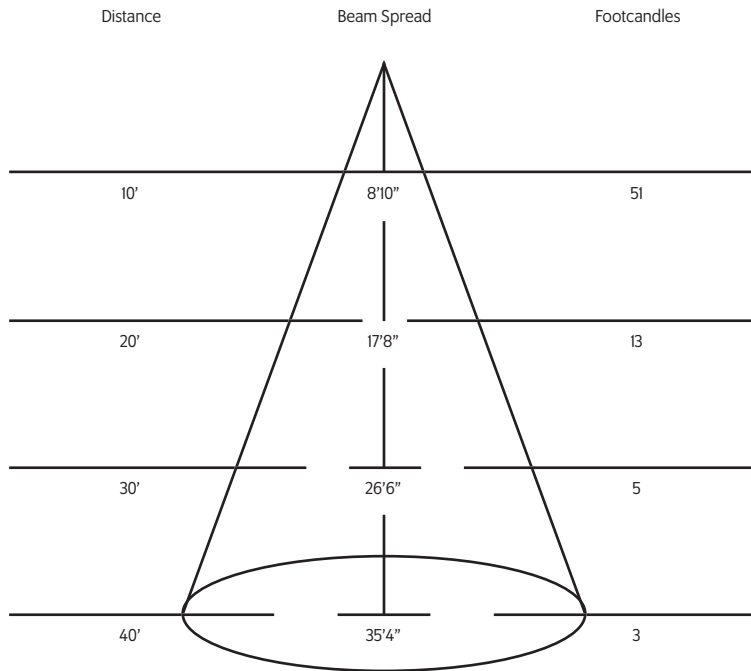
20° Spot Reflector



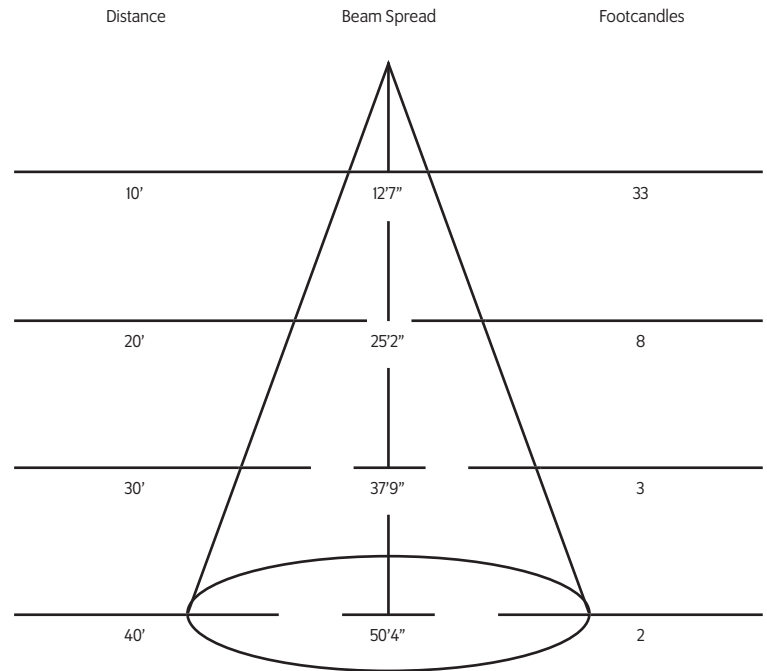
40° Spot Reflector



48° Spot Reflector



64° Spot Reflector



Other Lumen Output Multipliers

FOR 80 CRI LUMEN OUTPUT	FOOTCANDLES
1000	.20
2000	.40
2800	.56
3700	.74

FOR 90 CRI LUMEN OUTPUT	FOOTCANDLES
1000	.16
2000	.33
2800	.46
3700	.60
4100	.82

Mounting Options

TI Track Adapter for commercial grade 1 & 2 circuit track. 120V. For use with larger, heavier fixtures.

TA1 Track adapter for E-Series specification grade track. 1 circuit. 120V.

TA2 Track adapter for G-Series specification grade 2-circuit track. 120V.

HTA2 Track adapter for G-Series specification grade 2-circuit track. 277V.

STAI 1 circuit track adapter for Data Bus. Specification grade track. 120V.

STA 2 circuit track adapter for Data Bus. Specification grade track. 120V.

HSTA 2 circuit track adapter for Data Bus. Specification grade track. 277V.

TA3 Track adapter for G-Series specification grade 3-circuit track. 120V.

CM4 Canopy Mount

US1 6⁵/₈" x 1¹/₂" Unitrut Adapter

TB8 8" x 8" Portable table base for floor and table use

MC Light duty pipe clamp for small fixtures. For pipes up to 1 5/16" O.D.

MN Medium duty pipe clamp for small to large fixtures. For pipes up to 2" O.D.

PC9M Heavy duty pipe clamp for large, heavy fixtures. For pipes up to 2" O.D.

Accessories

LV8	Louwer
XL8	Cross Baffle Louwer
BD7A	Barndoor
HD8	Hood
XH8	Cross Baffle Hood
SH8	Sparkle Hood
CF8	Color Frame
GF8	Glass Color Filter
DF8	Dichroic Color Filter
GF8-600	5° x 50° Linear Lens
GF8-601	Beam Softener
GF8-673	50° x 50° Spread Lens
CC18	Coiled Cord
SC-24	Safety Cable
IP	Integral Dimmer
WL	Wrench Locking

Extension Wands

SP 12	12" Stem
SP 18	18" Stem
SP 24	24" Stem
SP X	Custom Length

Fixture Accessories

LV6	Louwer
XL6	Cross Baffle Louwer
BD10L	Barndoor
HD6	Hood
XH6	Cross Baffle Hood
CC18	Coiled Cord
SC-24	Safety Cable
WL	Wrench Locking



Notes on Dimming:

- TE** This means the fixture will work on *MOST* quality Trailing Edge dimmers. These dimmer types are also known as Reverse Phase or Electronic Low Voltage (ELV), and are available as wall mount and rack mount modules.
- LE** This means the fixture will work on *MOST* quality Leading Edge dimmers. These dimmer types are also known as Forward Phase, Incandescent, Halogen or Triac, and are available as wall mount and rack mount modules.
- 0-10** This means the fixture will work on *MOST* quality 0-10V or 1-10V dimmers. These dimmer types are also known as Fluorescent, and are available as wall mount and rack mount modules.
- IP** This means the fixture has a dimmer *BUILT IN* to the fixture itself, and will dim to about 50%. It has an integral potentiometer located on the bottom of the driver housing. This fixture *WILL NOT* function with *EXTERNAL* wall or rack dimmers.

It is impractical to test every fixture type with every dimmer type, and some combinations work better than others, while some not at all.

It is advisable to pretest a particular fixture with an intended dimmer beforehand to insure that the combination will work as expected.

Some dimmers will allow for full-range dimming, while others will only dim to 50%. Some dimmers will work well within a certain range, and perhaps flicker or shut off at the lowest settings, rendering that portion of the range unusable. Most if not all dimmers have a maximum LED load that can be applied, often as little as 10% of its nominally rated value. Dimming LEDs can actually extend their life expectancy, and will not affect the color temperature or CRI.