



ACR 900 - 2000

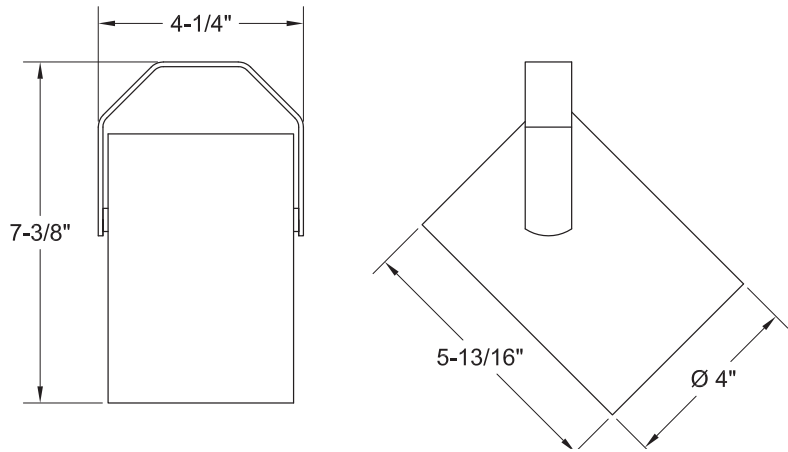
CREE LED



5 Holt Drive,
Stony Point, NY 10980
845-947-3034
info@tslight.com

The ACR Series emphasizes efficiency and economy and boasts the highest lumens per watt rating of any Times Square Lighting fixture to date. It is designed for a short to medium throw applications. The ACR Series can be fitted with up to three accessories, including barn doors, louvers and lenses. This versatile fixture is available with a wide variety of mounting and dimming options, allowing for a huge range of customization possibilities.

The ACR Series is available in standard black, white, or silver finishes. Custom colors are available upon request.



Manufactured in the USA - IBEW



Construction

- Aluminum housing with black, white or silver finish
- Accepts up to 3 accessories
- Weight: 3 lbs.

Electrical

- Integral electronic driver
- 100-277V, 50/60Hz
- Meets FCC 47 CFR Part 15/18 Requirements

LED

- Cree XLamp LED array
- Color temp options: 2700K, 3000K, 3500K, 4000K, 5000K, 5700K, 6500K
- CRI: 80 standard or 92 optional
- Lumen maintenance: 90% of initial lumen output at 33,000 hours on LM-80 testing
- No UV or IR

Model	CRI	Total Wattage	Delivered Lumens	Efficacy (Lm/W)
ACR9	80 / 92	6.37 / 6.4	900 / 900	143 / 141
ACR11	80 / 92	7.7 / 8.4	1100 / 1100	143 / 131
ACR13	80 / 92	8.4 / 9.5	1300 / 1300	155 / 137
ACR15	80 / 92	9.7 / 11.4	1500 / 1500	155 / 132
ACR18	80 / 92	11.4 / 14	1800 / 1800	158 / 128
ACR20	80 / 92	13.2 / 15.8	2000 / 2000	152 / 127

* Total wattage equals LED plus driver. Delivered lumen may vary depending on LED module, color temperature, optics, and accessories. Testing done with 3000K LED array.

Ordering Matrix

Model	Lumens	CRI	Color Temp	Finish	Voltage	Optics	Mounting	Dimming †	Accessories
ACR	9 = 900 / 900 11 = 1100 / 1100 13 = 1300 / 1300 15 = 1500 / 1500 18 = 1800 / 1800 20 = 2000 / 2000	80 92	27 = 2700K 30 = 3000K 35 = 3500K 40 = 4000K 50 = 5000K	B = Black W = White S = Silver CC = Custom Color	100 ^{††} 120 240 277	10 = 10° 20 = 20° 40 = 40° 60 = 60°	See Mounting Options	TE = Trailing Edge* LE = Leading Edge** 010 = 0-10V ND = Non-Dimming	See Accessory Options

Maximum ambient temperature: 35°C
Maximum operating angle: 45° from vertical

* 277V TE Dimming available on 1800 lumen, 80 CRI and 1500 lumen, 92 CRI only.
** 120V Only, 80 CRI only.

† See "Notes on Dimming" on reverse
†† Non-Dim or 0-10V dimming only

Example: ACR15-80-27-B-120-20-T1-TE-BD20

ACR _____

* Specification sheets are subject to change without notice.

Optics

- 20°, 40°, and 60° Field-changable reflectors

CBCP:	ACR9	ACR11	ACR13	ACR15	ACR18	ACR20
20°	3100	3875	4780	5500	6030	6700
40°	1850	2275	2825	3250	3600	4000
60°	980	1230	1525	1750	2100	2425

* Testing done at 3000K, 80 CRI.

Photometric Data

Distance	20° Spot Reflector Beam Spread	Footcandles					
		ACR9	ACR11	ACR13	ACR15	ACR18	ACR20
5'	1'7"	126	155	191	220	241	268
10'	3'5"	31	39	48	55	60	67
15'	5'3"	14	17	21	24	27	30
20'	7'1"	8	10	12	14	15	17
25'	8'8"	5	6	8	9	10	11
30'	10'6"	-	5	5	6	7	7

Distance	40° Medium Flood Reflector Beam Spread	Footcandles					
		ACR9	ACR11	ACR13	ACR15	ACR18	ACR20
5'	3'6"	74	91	113	130	144	160
10'	7'3"	19	23	28	33	36	40
15'	10'9"	8	10	13	15	15	18
20'	14'6"	5	5	7	8	9	10
25'	18'2"	-	-	-	5	6	6
30'	22'2"	-	-	-	-	-	-

Distance	60° Flood Reflector Beam Spread	Footcandles					
		ACR9	ACR11	ACR13	ACR15	ACR18	ACR20
5'	5'7"	39	49	61	70	85	97
10'	11'6"	10	12	15	18	21	24
15'	17'3"	5	5	7	8	9	11
20'	23'1"	-	-	-	5	5	6
25'	28'9"	-	-	-	-	-	5
30'	35'2"	-	-	-	-	-	-

Notes on Dimming:

- TE** This means the fixture will work on *MOST* quality Trailing Edge dimmers. These dimmer types are also known as Reverse Phase or Electronic Low Voltage (ELV), and are available as wall mount and rack mount modules.
- LE** This means the fixture will work on *MOST* quality Leading Edge dimmers. These dimmer types are also known as Forward Phase, Incandescent, Halogen or Triac, and are available as wall mount and rack mount modules.
- 0-10** This means the fixture will work on *MOST* quality 0-10V or 1-10V dimmers. These dimmer types are also known as Fluorescent, and are available as wall mount and rack mount modules.
- IP** This means the fixture has a dimmer *BUILT IN* to the fixture itself, and will dim to about 50%. It has an integral potentiometer located on the bottom of the driver housing. This fixture *WILL NOT* function with *EXTERNAL* wall or rack dimmers.

It is impractical to test every fixture type with every dimmer type, and some combinations work better than others, while some not at all. It is advisable to pretest a particular fixture with an intended dimmer beforehand to insure that the combination will work as expected. Some dimmers will allow for full-range dimming, while others will only dim to 50%. Some dimmers will work well within a certain range, and perhaps flicker or shut off at the lowest settings, rendering that portion of the range unusable. Most if not all dimmers have a maximum LED load that can be applied, often as little as 10% of its nominally rated value. Dimming LEDs can actually extend their life expectancy, and will not affect the color temperature or CRI.

Mounting Options

AD1 Track adapter for commercial grade 1 and 2-circuit track. Good for use with small, lightweight fixtures.

T1 Track Adapter for commercial grade 1 circuit track. 120V. For use with larger, heavier fixtures.

TA1 Track adapter for E-Series specification grade track. 1 or 2 circuit. 120V.

TA2 Track adapter for G-Series specification grade 2-circuit track. 120V.

HTA2 Track adapter for G-Series specification grade 2-circuit track. 277V.

STA 2 circuit track adapter for Data Bus. Specification grade track. 120V.

TA3 Track adapter for G-Series specification grade 3-circuit track. 120V.

CM4 Canopy Mount

USI 6 $\frac{5}{8}$ " x 1 $\frac{1}{2}$ " Unitrut Adapter

TB8 8" x 8" Portable table base for floor and table use

MC Light duty pipe clamp for small fixtures. For pipes up to 1 $\frac{5}{16}$ " O.D.

MN Medium duty pipe clamp for small to large fixtures. For pipes up to 2" O.D.

PC9M Heavy duty pipe clamp for large, heavy fixtures. For pipes up to 2" O.D.

Accessories

BD20	Barndoor
LV22	Full Size Louver
XL22	Full Size X Baffle Louver
XH22	Full Size X Baffle Hood
HD22	Hood/Snoot

X00517	Accessory Holder
LV18*	Honeycomb Louver
DF22*	Glass Color Filter
OF22-9101*	Smoothing Frost Filter
GF22-600*	5x50 Linear Lens
GF22-601*	Solite Softner
GF22-673*	50 x 50 Spread Lens

CC18	Coil Cord Option
SC024	Safety Cable

* X00517 Required

Extension Wands

SP 12	12" Stem
SP 18	18" Stem
SP 24	24" Stem
SP X	Custom Length