



# ACR 2100 - 2300

CREE LED



5 Holt Drive,  
Stony Point, NY 10980  
845-947-3034  
info@tslight.com

The ACR Series emphasizes efficiency and economy and boasts the highest lumens per watt rating of any Times Square Lighting fixture to date. It is designed for a short to medium throw applications. The ACR Series can be fitted with up to three accessories, including barn doors, louvers and lenses. This versatile fixture is available with a wide variety of mounting and dimming options, allowing for a huge range of customization possibilities.

The ACR Series is available in standard black, white, or silver finishes. Custom colors are available upon request.

Manufactured in the USA - IBEW

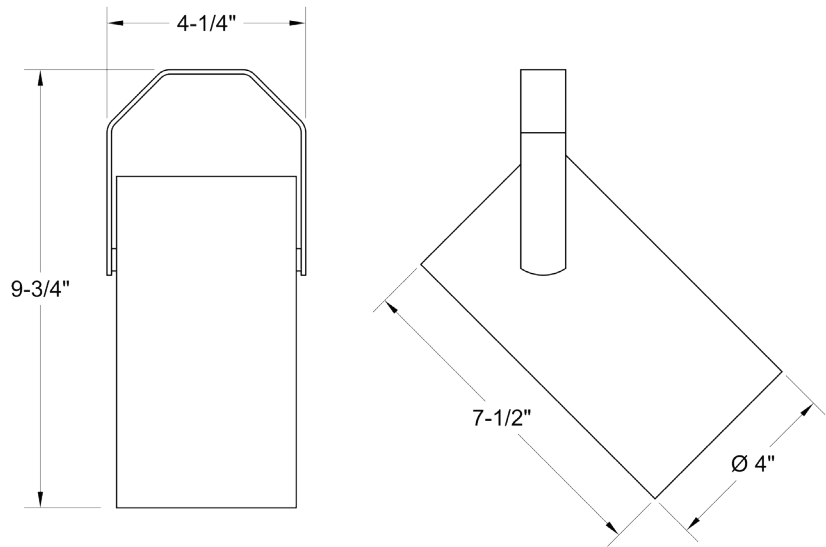


## Construction

- Aluminum housing with black, white or silver finish
- Accepts up to 3 accessories
- Weight: 3 lbs.

## Electrical

- Integral electronic driver
- 100-277V, 50/60Hz
- Meets FCC 47 CFR Part 15/18 Requirements



## LED

- Cree XLamp LED array
- Color temp options: 2700K, 3000K, 3500K, 4000K, 5700K
- CRI: 80 standard or 92 optional
- Lumen maintenance: 90% of initial lumen output at 33,000 hours on LM-80 testing
- No UV or IR

Model	CRI	Total Wattage	Delivered Lumens	Efficacy (Lm/W)
ACR21	92	17.4	2100	121
ACR23	80	17.4	2300	132

\* Total wattage equals LED plus driver. Delivered lumen may vary depending on LED module, color temperature, optics, and accessories. Testing done with 3000K LED array.

## Ordering Matrix

Model	Lumens	CRI	Color Temp	Finish	Voltage	Optics	Mounting	Dimming †	Accessories
ACR	21 = 2100 23 = 2300	80 92	27 = 2700K 30 = 3000K 35 = 3500K 40 = 4000K 57 = 5700K	B = Black W = White S = Silver CC = Custom Color	100 <sup>II</sup> 120 240 277	10 = 10° 20 = 20° 40 = 40° 60 = 60°	See Mounting Options	TE = Trailing Edge LE = Leading Edge* 010 = 0-10V ND = Non-Dimming	See Accessory Options

Maximum ambient temperature: 35°C  
Maximum operating angle: 45° from vertical

\* 120V Only

† See "Notes on Dimming" on reverse  
‡ Non-Dim or 0-10V dimming only

**Example:** ACR21-80-27-B-120-20-T1-TE-BD20

ACR \_\_\_\_\_

\* Specification sheets are subject to change without notice.

## Optics

- 20°, 40°, and 60° Field-changable reflectors

CBCP:	ACR21	ACR23
20°	7050	7880
40°	4200	4700
60°	2550	2950

\* Testing done at 3000K, 80 CRI.

## Photometric Data

Distance	20° Spot Reflector Beam Spread		Footcandles	
	ACR21	ACR23	ACR21	ACR23
5'	1.7"		282	315
10'	3.5"		71	79
15'	5.3"		31	35
20'	7.1"		18	20
25'	8.8"		11	13
30'	10.6"		8	9

Distance	40° Medium Flood Reflector Beam Spread		Footcandles	
	ACR21	ACR23	ACR21	ACR23
5'	3.6"		168	188
10'	7.3"		42	47
15'	10.9"		19	21
20'	14.6"		11	12
25'	18.2"		7	8
30'	22.2"		5	5

Distance	60° Flood Reflector Beam Spread		Footcandles	
	ACR21	ACR23	ACR21	ACR23
5'	5.7"		102	118
10'	11.6"		26	30
15'	17.3"		11	13
20'	23.1"		6	7
25'	28.9"		5	6
30'	35.2"		-	5

### Notes on Dimming:

- TE** This means the fixture will work on *MOST* quality Trailing Edge dimmers. These dimmer types are also known as Reverse Phase or Electronic Low Voltage (ELV), and are available as wall mount and rack mount modules.
- LE** This means the fixture will work on *MOST* quality Leading Edge dimmers. These dimmer types are also known as Forward Phase, Incandescent, Halogen or Triac, and are available as wall mount and rack mount modules.
- 0-10** This means the fixture will work on *MOST* quality 0-10V or 1-10V dimmers. These dimmer types are also known as Fluorescent, and are available as wall mount and rack mount modules.
- IP** This means the fixture has a dimmer *BUILT IN* to the fixture itself, and will dim to about 50%. It has an integral potentiometer located on the bottom of the driver housing. This fixture *WILL NOT* function with *EXTERNAL* wall or rack dimmers.

It is impractical to test every fixture type with every dimmer type, and some combinations work better than others, while some not at all. It is advisable to pretest a particular fixture with an intended dimmer beforehand to insure that the combination will work as expected. Some dimmers will allow for full-range dimming, while others will only dim to 50%. Some dimmers will work well within a certain range, and perhaps flicker or shut off at the lowest settings, rendering that portion of the range unusable. Most if not all dimmers have a maximum LED load that can be applied, often as little as 10% of its nominally rated value. Dimming LEDs can actually extend their life expectancy, and will not affect the color temperature or CRI.

## Mounting Options

**AD1** Track adapter for commercial grade 1 and 2-circuit track. Good for use with small, lightweight fixtures.

**T1** Track Adapter for commercial grade 1 circuit track. 120V. For use with larger, heavier fixtures.

**TA1** Track adapter for E-Series specification grade track. 1 or 2 circuit. 120V.

**TA2** Track adapter for G-Series specification grade 2-circuit track. 120V.

**HTA2** Track adapter for G-Series specification grade 2-circuit track. 277V.

**STA** 2 circuit track adapter for Data Bus. Specification grade track. 120V.

**TA3** Track adapter for G-Series specification grade 3-circuit track. 120V.

**CM4** Canopy Mount

**USI** 6 $\frac{5}{8}$ " x 1 $\frac{1}{2}$ " Unitrut Adapter

**TB8** 8" x 8" Portable table base for floor and table use

**MC** Light duty pipe clamp for small fixtures. For pipes up to 1 $\frac{5}{16}$ " O.D.

**MN** Medium duty pipe clamp for small to large fixtures. For pipes up to 2" O.D.

**PC9M** Heavy duty pipe clamp for large, heavy fixtures. For pipes up to 2" O.D.

## Accessories

<b>BD20</b>	Barndoor
<b>LV22</b>	Full Size Louver
<b>XL22</b>	Full Size X Baffle Louver
<b>XH22</b>	Full Size X Baffle Hood
<b>HD22</b>	Hood/Snoot

<b>X00517</b>	Accessory Holder
<b>LV18*</b>	Honeycomb Louver
<b>DF22*</b>	Glass Color Filter
<b>OF22-9101*</b>	Smoothing Frost Filter
<b>GF22-600*</b>	5x50 Linear Lens
<b>GF22-601*</b>	Solite Softner
<b>GF22-673*</b>	50 x 50 Spread Lens

<b>CC18</b>	Coil Cord Option
<b>SC024</b>	Safety Cable

\* X00517 Required

## Extension Wands

<b>SP 12</b>	12" Stem
<b>SP 18</b>	18" Stem
<b>SP 24</b>	24" Stem
<b>SP X</b>	Custom Length