



Manufactured in the USA - IBEW



### Construction

- Steel & aluminum housing with black, white or silver finish
- 0-90° tilt, 360° rotation
- Internal multiple accessory holder
- Weight: 7 lbs.

### Electrical

- Integral electronic driver
- 100-277V, 50/60Hz
- Meets FCC 47 CFR Part 15/18 Requirements
- RJ45 comes standard XLR 3-Pin and 5-Pin adapters are available.
- Consult factory when ordering canopy mount option to configure data connections.
- Can be track mounted with STA adapter and controlled with DMX or 010V protocol.

### Optics

- 12°, 19°, 33° 40°, 48°, 55°, and 64°  
Field - changeable reflectors

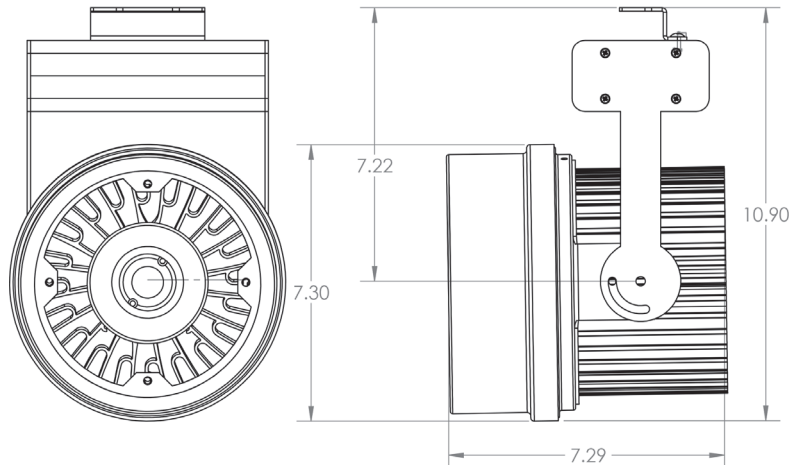
# CT60

## 60W, 5000 Lumen Color Tuning LED

The CT60 features tunable color and a high CRI output. It can be controlled via DMX/RDM, Lutron Ecosystem, Bluetooth, or even 010V controls. The CT60 features tunable white from 1800K-8000K with a CRI of 90+ across the entire temperature range. Rich blues, ambers, reds, violets and greens can be added in gradients or can completely saturate the output of the light. Interchangeable reflectors allow beam angles between 12° and 64°. This fixture is perfect for churches, events, or use in an archtainment setting. It's also a good option for retail, due to it's powerful output and high CRI values.



5 Holt Drive,  
Stony Point, NY 10980  
845-947-3034  
www.tslight.com



### Features

- Bluetooth commissioning tool for setting DMX address from your phone or tablet.
- Four channel DMX mode: Dim, variable white, saturation, hue.
- Dims to below 1% of initial output
- Variable white between 1650 and 8000 kelvin. Can be controlled by 010V controller or DMX controller.

### LED

- Color Tuning LED module
- CRI: 90+ CRI
- Beam Angle: 12°, 19°, 33° 40°, 48°, 55°, 64°
- Variable white: 1650 - 8000K
- No UV or IR

CRI	Total Wattage	Delivered Lumen	Efficacy (Lm/W)
90+	60	5000	83

\*Total wattage equals LED plus driver. Delivered lumen may vary depending on LED module, color temperature, optics, and accessories.

### Ordering Matrix

Model	Finish	Voltage	Optics	Mounting	Dimming*
CT60	B = Black W = White S = Silver CC = Custom Color	120 277	12=12° 19=19° 33=33° 40=40° 54=54° 64=64°	See Mounting Options	DX= DMX/RDM 010= 010V Dimming ECO= Lutron Ecosystem

Maximum ambient temperature: 35°C  
Maximum operating angle: 45° from vertical

\* See "Notes on Dimming" on reverse

Example: CT60-9230-B-120-CM4-010

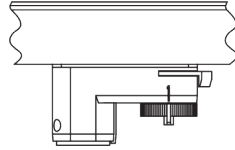
CT60- \_\_\_\_\_ - \_\_\_\_\_ - \_\_\_\_\_ - \_\_\_\_\_ - \_\_\_\_\_

\* Specification sheets are subject to change without notice.

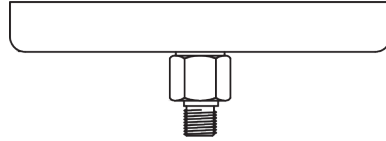
# PHOTOMETRIC DATA INCOMING

## Mounting Options

**STA** 2 circuit track adapter for Data Bus. Specification grade track. 120V.



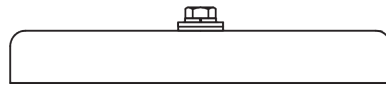
**CM4** Canopy Mount



**USI** 6 $\frac{5}{8}$ " x 1 $\frac{1}{2}$ " Unitrut Adapter

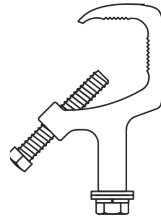


**TB8** 8" x 8" Portable table base for floor and table use



**MN** Medium duty pipe clamp for small to large fixtures. For pipes up to 2" O.D.

**PC9M** Heavy duty pipe clamp for large, heavy fixtures. For pipes up to 2" O.D.



## Accessories

<b>LV9</b>	Louver
<b>LV9BD</b>	Louver (for use with BD9)
<b>BD9</b>	Barndoor
<b>HD9</b>	Hood
<b>XH9</b>	Cross Baffle Hood
<b>CF9</b>	Color Frame
<b>GF9</b>	Glass Color Filter
<b>DF9</b>	Dichroic Color Filter
<b>GF9-600</b>	5°x50° Linear Lens
<b>GF9-601</b>	Beam Softener
<b>GF9-673</b>	50°x50° Spread Lens
<b>CC18</b>	Coiled Cord
<b>SC-24</b>	Safety Cable
<b>W6538</b>	RJ45 to female 5-Pin XLR Adapter

## Extension Wands

<b>SP 12</b>	12" Stem
<b>SP 18</b>	18" Stem
<b>SP 24</b>	24" Stem
<b>SP X</b>	Custom Length
<b>W6539</b>	RJ45 to male 5-Pin XLR adapter

## Color Tuning Features

- Color gamut control: gradients of saturated colors from 1 - 100% can be added to color points
- 90+ CRI
- Dimmable from 100 - 1% at constant CCT
- DMX512-A-RDM or Lutron EcoSystem compatible
- DMX controls dimming, hue, saturation and tunable white
- Available with RJ45 or XLR sockets
- On-board Bluetooth Low Energy (BLE)
- Tunable range: 1650 - 8000K
- SceneSet enables up to five scenes to be preprogrammed and recalled using a 0 - 10V recommended dimmer or via Bluetooth
- Addressing and integration by RDM or via wireless araya5 Tunable Color iOS app
- 0-10V, DMX512-A-RDM2, Bluetooth Low Energy, Lutron® EcoSystem® are all available as control options. Must be specified and ordered to pair with desired control system from factory.
- L70 greater than 50,000 hours