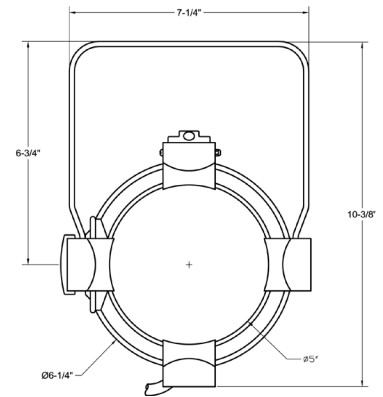
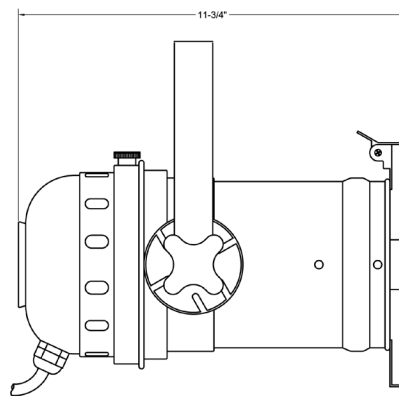




The PAR38L Spotlight is a specification grade medium and long throw unit designed for PAR38 medium screw base lamps. Its theatrical styling and architectural function makes it the perfect unit for spaces such as museums, galleries, exhibits, retail and themed environments where a visually interesting, high intensity spotlight is required.

## FEATURES

- Accepts PAR38 lamps and LED's
- Easy lamp replacement
- Lightweight aluminum construction
- Numerous mounting options and accessories
- Weight: 3 lbs



MODEL NUMBER	FINISH	MOUNTING	ACCESSORIES
PAR38L	B Black W White S Silver CC Custom Color	T1 Track Adapter. 1 or 2 Circuit. 120V. TA2 Track Adapter. G-Series. 2 Circuit. 120V. TA3 Track Adapter. G-Series. 3 Circuit. 120V.  CM4 Canopy Mount.  US1 6 5/8" x 1 1/2" Unistrut Adapter.  TB4 6 1/4" Portable Wall Mount/Table Base Floor. TB8 8" x 8" Portable Table Base for Floor Use.  MN Medium Duty Pipe Clamp. For pipes up to 2" O.D. PC9M Heavy Duty Pipe Clamp. For pipes up to 2" O.D.	LV44 Louver BD44 Barndoor CF44 Color Frame GF44 Dichroic Color Filter GF44-600 5°x50° Linear Lens GF44-601 Beam Softener GF44-673 50°x50° Spread Lens CC18 Coiled Cord SC Safety Cable WL Wrench Locking IP Integral Dimmer

**EXAMPLE:** PAR38L - B - TA2 - LV44

MODEL NUMBER	FINISH	MOUNTING	ACCESSORIES
PAR38L			