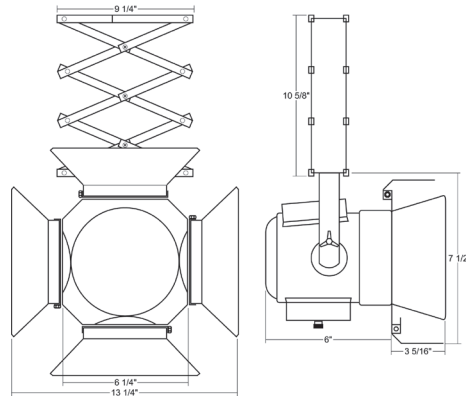




Utilizing a fixed pantograph, this fixture is ideal for gallery or museum lighting or any application that requires a theatrical style. Equipped with 4-way locking barn doors to control light spill and an internal accessory holder that accepts louvers and filters. Available in standard black, white and silver finishes. Custom colors are available by request and at an additional charge.

FEATURES

- Theatrical design
- Locking barn doors
- Accepts PAR30 long neck lamps and LED's
- Numerous mounting options and accessories



MODEL NUMBER	FINISH	MOUNTING	ACCESSORIES
TS851	B Black W White S Silver CC Custom Color	TA1 Track Adapter. E-Series. 1 Circuit. 120V. TA2 Track Adapter. G-Series. 2 Circuit. 120V. TA3 Track Adapter. G-Series. 3 Circuit. 120V. CM4 Canopy Mount. US1 6 5/8" x 1 1/2" Unistrut Adapter. MN Medium Duty Pipe Clamp. For pipes up to 2" O.D.	LV17 Louver CF17 Color Frame GF17 Glass Color Filter DF17 Dichroic Color Filter GF17-600 5°x50° Linear Lens GF17-601 Beam Softener GF17-673 50°x50° Spread Lens GF17-703 UV Blocking Filter CC18 Coiled Cord SC-24 Safety Cable

EXAMPLE: TS851 - B - TA2 - LV17

MODEL NUMBER	FINISH	MOUNTING	ACCESSORIES
TS851			