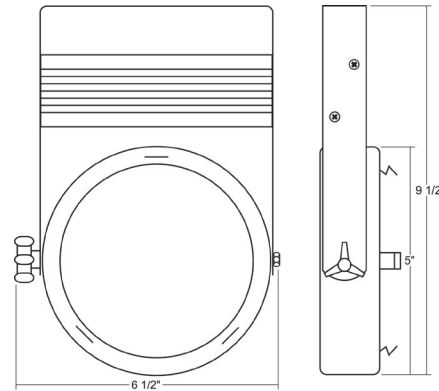




The PBSK is ideal for highlighting artwork, exhibits, and retail displays. Its compact design features an exposed AR111 lamp. Beam spreads come in narrow spot to very wide flood, but will maintain an even field of illumination without producing hot spots or shadows. The PBSK features an electronic transformer, accessory-retaining clips for louvers, barndoors, hoods and a variety of filters.

FEATURES

- 120, 220 and 277-volt available
- Integral 12-volt dimmable transformer
- Use with electronic low voltage (ELV) Dimmer only (AKA Trailing Edge and Reverse Phase)
- Accepts AR111 lamps and LED's
- Numerous mounting options and accessories
- Weight: 2 lbs



MODEL NUMBER	FINISH	MOUNTING	ACCESSORIES
PBSK	B Black W White S Silver CC Custom Color	AD1 Track Adapter. 1 or 2 Circuit track. 120V. TA1 Track Adapter. E-Series. 1 Circuit. 120V. TA2 Track Adapter. G-Series. 2 Circuit. 120V. TA3 Track Adapter. G-Series. 3 Circuit. 120V. CM4 Canopy Mount. US1 6 5/8" x 1 1/2" Unistrut Adapter. TB4 6 1/4" Portable Wall Mount/Table Base Floor. MC Light Duty Pipe Clamp. For pipes up to 15/16" O.D. MN Medium Duty Pipe Clamp. For pipes up to 2" O.D.	LV16 Louver HD16 Hood GF16-610 AR111 Glass Shield CF16 Color Frame GF16 Glass Color Filter DF16 Dichroic Color Filter GF16-600 5°x50° Linear Lens GF16-601 Beam Softener GF16-673 50°x50° Spread Lens GF16-702 UV Blocking Filter CC18 Coiled Cord SC-24 Safety Cable IP Integral Dimmer WL Wrench Locking

EXAMPLE: PBSK - B - TA2 -LV16

MODEL NUMBER	FINISH	MOUNTING	ACCESSORIES
PBSK			