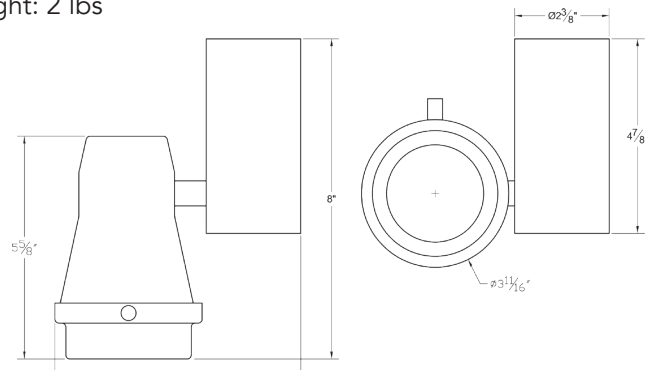




The 2016C is a low voltage fixture ideal for highlighting artwork, exhibits, and retail displays. The unit accepts energy efficient MR16 lamps and LEDs. The 2016C features an adjustable self-locking head and an electronic transformer. It has a hinged front that is easily opened for re-lamping and an internal accessory holder that can accommodate louvers, barn doors, hoods and a variety of filters. Comes in standard black, white and silver finishes. Custom colors are available by request and at an additional charge.

FEATURES

- Designed for 2-pin MR16 lamps and LEDs
- 120, 220 and 277-volt available
- Integral 12-volt dimmable electronic transformer
- Use with electronic low voltage (ELV) Dimmer only (AKA Trailing Edge and Reverse Phase)
- Hinged front for easy re-lamping
- Multiple accessory holder
- Numerous mounting options
- Weight: 2 lbs



MODEL NUMBER	FINISH	MOUNTING	ACCESSORIES
2016C	B Black W White S Silver CC Custom Color	AD1 Track Adapter. 1 or 2 Circuit track. 120V. T1 Track Adapter. E-Series. 1 or 2 Circuit. 120V. TA1 Track Adapter. G-Series. 2 Circuit. 120V. TA2 Track Adapter. G-Series. 2 Circuit. 120V. HTA2 Track Adapter. G-Series. 2 Circuit. 277V. TA3 Track Adapter. G-Series. 3 Circuit. 120V. CM4 Canopy Mount. US1 6 5/8" x 1 1/2" Unistrut Adapter. TB4 6 1/4" Portable Wall Mount/Table Base Floor. TB8 8" x 8" Portable Table Base for Floor/Table Use. MC Light Duty Pipe Clamp. For pipes up to 15/16" O.D. MN Medium Duty Pipe Clamp. For pipes up to 2" O.D.	LV3 Louver XL3 Cross Baffle Louver BD3 Barn Door HD3 Hood SH3 Sparkle Hood GF3 Glass Color Filter DF3 Dichroic Color Filter GF3-600 5°x50° Linear Lens GF3-601 Beam Softener GF3-673 50°x50° Spread Lens GF3-702 UV Blocking Filter CC18 Coiled Cord SC-24 Safety Cable WW3 Wall Wash Kicker w/ Spread Lens IP Integral Dimmer

EXAMPLE: 2016C - B - TA2 - LV6

MODEL NUMBER	FINISH	MOUNTING	ACCESSORIES
2016C			