



# DaVinci Series

1600 Lumen Max 98 CRI Track Light



5 Holt Drive,  
Stony Point, NY 10980  
845-947-3034  
info@tslight.com

The DaVinci Series features a high-CRI output and can accommodate numerous accessories. It allows the lighting designer to add glare reduction with louvers, barndoors, or snoots. The twist-lock TIR optics provide a smooth beam, including a tight 14° spot, and are easily field changeable.

Manufactured in the USA - IBEW

PRODUCT LISTED  
BY A NATIONALLY  
RECOGNIZED  
TESTING  
LABORATORY



## Electrical

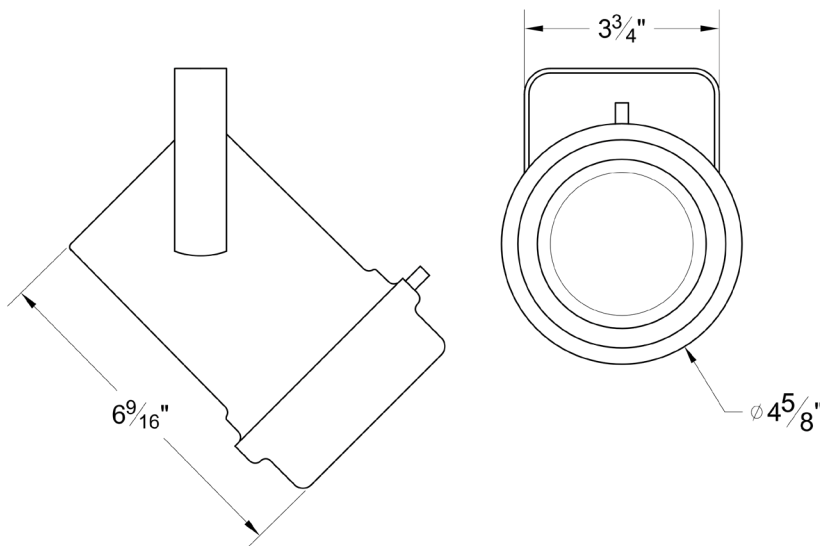
- Integral electronic driver
- 100-277V, 50/60Hz
- Meets FCC 47 CFR Part 15/18 Requirements

## Construction

- Steel & aluminum housing with black, white or silver finish
- Accepts up to 3 accessories
- Weight: 3 lbs.

## Dimming

- Trailing edge (ELV): 120V only
- Leading edge (Triac): 120V only
- 0-10V: 120 or 277 ControlTrac or Canopy Mount Only
- Lutron: Consult Factory for details.



## LED

- Cree XLamp LED array
- Color temp options: 2700K, 3000K
- CRI: 98 CRI
- Lumen maintenance: 90% of initial lumen output at 33,000 hours on LM-80 testing
- No UV or IR

Model	CRI	Total Wattage	Delivered Lumens	Efficacy (Lm/W)
DV8	98	8.2	800	98
DV10	98	10.0	1000	100
DV12	98	11.5	1200	104
DV14	98	13.2	1400	106
DV16	98	15.5	1600	103

\* Total wattage equals LED plus driver. Delivered lumen may vary depending on LED module, color temperature, optics, and accessories. Testing done with 3000K LED array.

## Optics

- 14°, 16°, 25°, and 35° Field-changeable TIR optics
- **Zoom Optic:** 15° to 40°

## Ordering Matrix

Model	Lumens	CRI	Color Temp	Finish	Voltage	Optics	Mounting	Dimming*	Accessories
DV	8 = 800 10 = 1000 12 = 1200 14 = 1400 16 = 1600	98	27 = 2700K 30 = 3000K	B = Black W = White S = Silver CC = Custom Color	120 240 277	14 = Real Spot 16 = Smooth Spot 25 = Narrow Flood 35 = Medium Flood ZO = Zoom Optic	See Mounting Options	TE = Trailing Edge LE = Leading Edge 010 = 0-10V ND = Non-Dimming	See Accessory Options

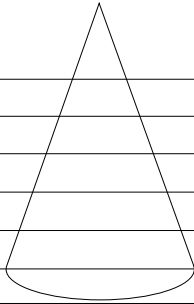
Maximum ambient temperature: 35°C  
Maximum operating angle: 45° from vertical

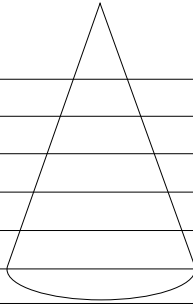
\* See "Notes on Dimming" on reverse

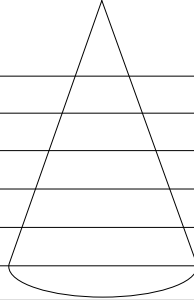
**Example:** DV-8-98-27-B-120-14-TA2-TE-LV6

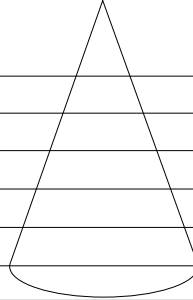
DV - \_\_\_\_\_

## Photometrics

Distance	14° TIR Beam Spread	Footcandles				
		DV8	DV10	DV12	DV14	DV16
5'		277	345	414	497	552
7.5'		124	153	184	221	245
10'		69	86	104	124	138
12.5'		44	55	66	79	88
15'		32	38	46	55	61
17.5'		23	28	34	41	45
20'		18	21	26	32	35

Distance	16° TIR Beam Spread	Footcandles				
		DV8	DV10	DV12	DV14	DV16
5'		223	279	335	401	446
7.5'		99	124	149	178	198
10'		56	70	84	101	112
12.5'		36	44	53	64	71
15'		25	32	38	45	50
17.5'		18	23	27	32	36
20'		14	18	21	25	28

Distance	25° TIR Beam Spread	Footcandles				
		DV8	DV10	DV12	DV14	DV16
5'		134	168	201	241	268
7.5'		60	74	89	107	119
10'		34	42	50	60	67
12.5'		22	27	32	39	43
15'		15	19	23	27	30
17.5'		11	14	17	20	22
20'		9	11	13	15	17

Distance	35° TIR Beam Spread	Footcandles				
		DV8	DV10	DV12	DV14	DV16
5'		53	66	80	95	106
7.5'		24	29	35	42	47
10'		14	17	20	24	27
12.5'		9	11	13	15	17
15'		6	8	9	11	12
17.5'		5	6	7	8	9
20'		3	4	5	6	7

## Mounting Options

**DT2** 2-Circuit track adapter for SpecTrack Databus. 120V.

**HDT2** Track adapter for SpecTrack 2-Circuit data track. 277V.

**ADI** Track adapter for commercial grade 1 and 2-Circuit track. This adapter is Halo™ and Times Square compatible. 120V.

**TA2** Track adapter for G-Series specification grade 2-circuit track. 120V.

**HTA2** Track adapter for G-Series specification grade 2-circuit track. 277V.

**TA3** Track adapter for G-Series specification grade 3-circuit track. 120V.

**CM4** Canopy Mount

**USI** 6 $\frac{3}{8}$ " x 1 $\frac{1}{2}$ " Unistrut Adapter

**TB8** 8" x 8" Portable table base for floor and table use

**MC** Light duty pipe clamp for small fixtures. For pipes up to 1 $\frac{5}{16}$ " O.D.

**MN** Medium duty pipe clamp for small to large fixtures. For pipes up to 2" O.D.

**PC9M** Heavy duty pipe clamp for large, heavy fixtures. For pipes up to 2" O.D.

## Accessories

<b>LV6</b>	Louwer
<b>XL6</b>	Cross Baffle Louwer
<b>BD10</b>	Barndoor
<b>HD6</b>	Hood
<b>XH6</b>	Cross Baffle Hood
<b>SH6</b>	Sparkle Hood
<b>CF10</b>	Color Frame
<b>GF10</b>	Glass Color Filter
<b>DF10</b>	Dichroic Color Filter
<b>GF10-600</b>	5°x50° Linear Lens
<b>GF10-601</b>	Beam Softener
<b>GF10-673</b>	50°x50° Spread Lens
<b>GF10-702</b>	UV Blocking Filter
<b>CC18</b>	Coiled Cord
<b>SC-24</b>	Safety Cable
<b>IP</b>	Integral Dimmer
<b>WL</b>	Wrench Locking

## Extension Wands

<b>SP 12</b>	12" Stem
<b>SP 18</b>	18" Stem
<b>SP 24</b>	24" Stem
<b>SP X</b>	Custom Length

\* For notes on dimming, please [click here](#).