



Manufactured in the USA - IBEW



Features

- 20°, 40° or 60° field-changeable reflectors
- Tunable range: 1650 - 8000K
- 90+ CRI
- Dimmable from 100 - 0.1% at constant CCT
- <2 MacAdam ellipse over 50,000 life
- Each lamp can be individually controlled
- Meets FCR 47 CFR Part 15/18 Requirements
- 90-305 VAC, 50/60 Hz
- Dim-to-warm available, consult factory.

PRELIMINARY SPECIFICATION SHEET

Mosaic Multi-Cell

Color Mixing Linear Fixture



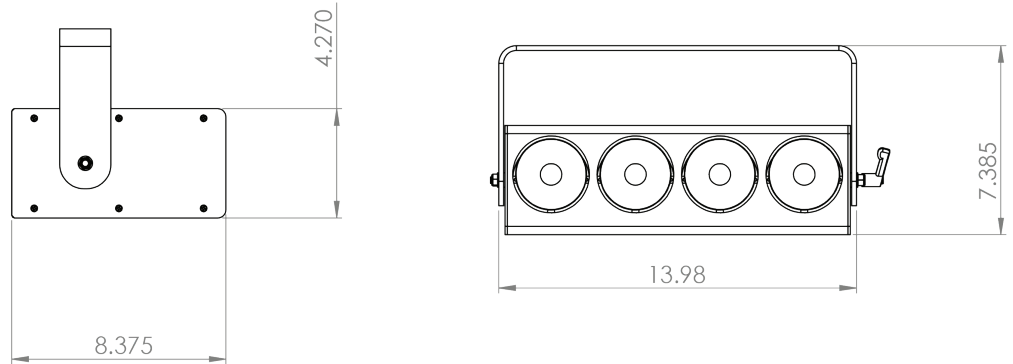
5 Holt Drive,
Stony Point, NY 10980
845-947-3034
info@tslight.com

The Mosaic Multi-Cell is a 112-watt unit featuring ColorMix technology and DMX control. It is available with a variety of beam angles and has a total output of 8,000 lumens.

The Mosaic Multi-Cell features convection cooling, a robust yoke suitable for a variety of mounting methods, and an RGBAL array.

It also features tunable white from 1800K-8000K with a CRI of 90+ across the entire temperature range. Rich blues, ambers, reds, violets and greens can be added in gradients or can completely saturate the output of the light.

This fixture is suitable for a variety of archtainment settings, including houses of worship and auditoriums.



Control

- Protocol: DMX/RDM or 010V
- 4 DMX Channels
- Input: Ethercon for DMX
- Output: Ethercon for DMX
- Do not install on a circuit containing a dimmer.
- DMX Addressing is RDM-only (No onboard DMX)

# of Lamps	Total Wattage	Delivered Lumens
LCT20-4	112W	8000

Ordering Matrix

Model	# of Lamps	Finish	Optics	Dimming*
LCT20	4 = 4-Linear	B = Black W = White S = Silver CC = Custom	20 = 20° 40 = 40° 60 = 60°	DMX = DMX / RDM

Example: LCT20-4-B-40-DMX

LCT20R-_____ - _____ - _____ - _____



* Specification sheets are subject to change without notice.