



CR High Power

CREE LED

The CR High Power emphasizes efficiency and economy and boasts the highest lumens per watt rating of any Times Square Lighting fixture to date. It is designed for a short to medium throw applications. The CR can be fitted with up to three accessories, including barn doors, louvers and lenses. This versatile fixture is available with a wide variety of mounting and dimming options, allowing for a huge range of customization possibilities.

The CR is available in standard black, white, or silver finishes. Custom colors are available upon request.



5 Holt Drive,
Stony Point, NY 10980
845-947-3034
info@tslight.com

Manufactured in the USA - IBEW



Electrical

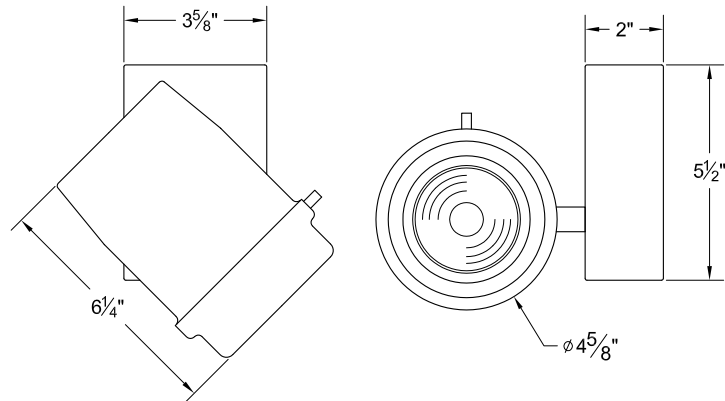
- Integral electronic driver
- 100-277V, 50/60Hz
- Meets FCC 47 CFR Part 15/18 Requirements

Construction

- Steel & aluminum housing with black, white or silver finish
- 0-180° tilt, 360° rotation
- Accepts up to 3 accessories
- Weight: 3 lbs.

Dimming

- Trailing edge (ELV): 120V / 277V
- Leading edge (Triac): 120V / 277V
- 0-10V: 120V only (ControlTrac), 120-277V otherwise
- IP (Integral Pot) dimming available



LED

- Cree XLamp LED array
- Color temp options: 2700K, 3000K, 3500K, 4000K, 5000K, 5700K, 6500K
- CRI: 80 standard or 92 optional
- Lumen maintenance: 90% of initial lumen output at 33,000 hours on LM-80 testing
- No UV or IR

Model	CRI	Total Wattage	Delivered Lumens	Efficacy (Lm/W)
CR42	92	40	4200	105
CR46	92	45	4600	102
CR48	80	40	4800	120
CR52	92	55	5200	95
CR53	80	45	5300	118
CR60	80	55	6000	109
CR62	92	60	6200	103
CR70	80	60	7000	116

* Total wattage equals LED plus driver. Delivered lumen may vary depending on LED module, color temperature, optics, and accessories. Testing done with 3000K LED array.

Ordering Matrix

Model	Lumens	CRI	Color Temp	Finish	Voltage	Optics	Mounting	Dimming †	Accessories
CR	42=4200*	80	27 = 2700K	B = Black W = White S = Silver CC = Custom Color	100 ^{††} 120 240 277	20 = 20° 40 = 40° 60 = 60°	See Mounting Options	TE = Trailing Edge*** LE = Leading Edge*** 010 = 0-10V ND = Non-Dimming IP = Integral Dimmer***	See Accessory Options
	46=4600*		92						
	48=4800**	35 = 3500K							
	52=5200*	40 = 4000K							
	53=5300**	50 = 5000K							
	60=6000**	57 = 5700K**							
	62=6200*	65 = 6500K**							
	70=7000**								

Maximum ambient temperature: 35°C
Maximum operating angle: 45° from vertical

* 92 CRI Only ** 80 CRI Only
*** 277V TE, LE and IP Dimming available on 4800 & 6000 lumen, 80 CRI and 4200 & 5200 lumen, 92 CRI only, 120V LE and TE dimming not available on 6200 lumen, 92 CRI or 7000 lumen, 80 CRI.

† See "Notes on Dimming" on reverse
†† Non-dim or 0-10V dimming only

Example: CR48-80-27-B-120-20-ADI-TE-LV3

CR _____ - _____ - _____ - _____ - _____ - _____ - _____ - _____

Photometric Data

Distance	20° Spot Reflector Beam Spread	Footcandles							
		CR42	CR46	CR48	CR52	CR53	CR60	CR62	CR70
5'	1.7'	667	722	762	824	838	948	989	1112
10'	3.5'	167	181	191	206	93	105	110	123
15'	5.3'	74	80	84	92	93	105	110	123
20'	7.1'	41	45	48	52	52	59	62	69
25'	8.8'	26	29	31	33	34	38	40	44
30'	10.6'	18	20	21	23	23	26	28	31

Distance	40° Medium Flood Reflector Beam Spread	Footcandles							
		CR42	CR46	CR48	CR52	CR53	CR60	CR62	CR70
5'	3.6'	341	373	389	422	430	482	508	567
10'	7.3'	85	93	47	106	108	121	127	142
15'	10.9'	37	41	43	47	49	53	56	63
20'	14.6'	21	23	24	26	27	30	32	35
25'	18.2'	14	15	16	17	17	19	20	23
30'	22.2'	9	10	11	12	12	13	13	16

Distance	60° Flood Reflector Beam Spread	Footcandles							
		CR42	CR46	CR48	CR52	CR53	CR60	CR62	CR70
5'	5.7'	199	218	229	246	251	285	294	333
10'	11.6'	50	55	57	62	63	71	74	83
15'	17.3'	22	24	25	27	28	31	33	37
20'	23.1'	12	13	14	15	16	18	18	21
25'	28.9'	8	9	9	10	10	11	11	13
30'	35.2'	5	6	6	6	7	8	8	9

Mounting Options

T1 Track Adapter for commercial grade 1 & 2 circuit track. 120V. For use with larger, heavier fixtures.

TA1 Track adapter for E-Series specification grade track. 1 circuit. 120V.

TA2 Track adapter for G-Series specification grade 2-circuit track. 120V.

HTA2 Track adapter for G-Series specification grade 2-circuit track. 277V.

HSTA Circuit track adapter for Data Bus. Specification grade e-series track. 277V.

STA 2 circuit track adapter for Data Bus. Specification grade track. 120V.

TA3 Track adapter for G-Series specification grade 3-circuit track. 120V.

CM4 Canopy Mount

US1 6 $\frac{5}{8}$ " x 1 $\frac{1}{2}$ " Unitrutt Adapter

TB8 8" x 8" Portable table base for floor and table use

MC Light duty pipe clamp for small fixtures. For pipes up to 1 $\frac{5}{16}$ " O.D.

MN Medium duty pipe clamp for small to large fixtures. For pipes up to 2" O.D.

PC9M Heavy duty pipe clamp for large, heavy fixtures. For pipes up to 2" O.D.

Accessories

LV6	Louver
XL6	Cross Baffle Louver
BD10	Barndoor
HD6	Hood
XH6	Cross Baffle Hood
X00517 *	Glass/Dichroic Holder
GF22	Glass Color Filter
DF22	Dichroic Color Filter
GF22-600	5°x50° Linear Lens
GF22-601	Beam Softener
GF22-673	50°x50° Spread Lens
CC18	Coiled Cord
SC-24	Safety Cable

* Required accessory when using glass or dichroic filters

Extension Wands

SP 12	12" Stem
SP 18	18" Stem
SP 24	24" Stem
SP X	Custom Length

* For notes on dimming, please [click here](#).