



SCR 900 - 2000

CREE LED



5 Holt Drive,
Stony Point, NY 10980
845-947-3034
info@tslight.com

The SCR Series emphasizes efficiency and economy and boasts the highest lumens per watt rating of any Times Square Lighting fixture to date. It is designed for a short to medium throw applications. The SCR Series can be fitted with accessories, including louvers and lenses. This versatile fixture is available with a wide variety of mounting and dimming options, allowing for a huge range of customization possibilities.

The SCR Series is available in standard black, white, or silver finishes. Custom colors are available upon request.

Manufactured in the USA - IBEW



Construction

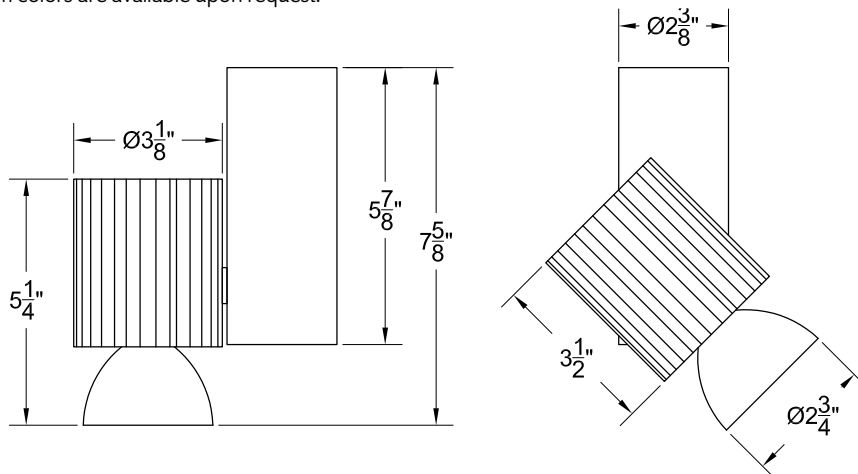
- Aluminum housing with black, white or silver finish
- Accepts accessories
- Weight: 2 lbs.

Electrical

- Integral electronic driver
- 120-277V, 50/60Hz
- Meets FCC 47 CFR Part 15/18 Requirements

Optics

- 20°, 40°, and 60°
Field-changeable reflectors
- CBCP: 2750 @ 20°
1450 @ 40°
800 @ 60°



LED

- Cree XLamp LED array
- Color temp options: 2700K, 3000K, 3500K, 4000K, 5000K
- CRI: 80 standard or 92 optional
- Lumen maintenance: 90% of initial lumen output at 33,000 hours on LM-80 testing
- No UV or IR

Model	CRI	Total Wattage	Delivered Lumens	Efficacy (Lm/W)
SCR9	80 / 92	6.37 / 6.4	900 / 900	143 / 141
SCR11	80 / 92	7.7 / 8.4	1100 / 1100	143 / 131
SCR13	80 / 92	8.4 / 9.5	1300 / 1300	155 / 137
SCR15	80 / 92	9.7 / 11.4	1500 / 1500	155 / 132
SCR18	80 / 92	11.4 / 14	1800 / 1800	158 / 128
SCR20	80 / 92	13.2 / 15.8	2000 / 2000	152 / 127

*Total wattage equals LED plus driver. Delivered lumen may vary depending on LED module, color temperature, optics, and accessories. Testing done with 3000K LED array.

Ordering Matrix

Model	Lumens	CRI	Color Temp	Finish	Voltage	Optics	Mounting	Dimming †	Accessories
SCR	9 = 900 / 900 11 = 1100 / 1100 13 = 1300 / 1300 15 = 1500 / 1500 18 = 1800 / 1800 20 = 2000 / 2000	80 92	27 = 2700K 30 = 3000K 35 = 3500K 40 = 4000K 50 = 5000K	B = Black W = White S = Silver CC = Custom Color	120 240 277	10 = 10° 20 = 20° 40 = 40° 60 = 60°	See Mounting Options	TE = Trailing Edge* LE = Leading Edge** 010 = 0-10V ND = Non-Dimming	See Accessory Options

Maximum ambient temperature: 35°C
Maximum operating angle: 45° from vertical

* 277V TE Dimming available on 1800 lumen, 80 CRI and 1500 lumen, 92 CRI only.
** 120V Only.

† See "Notes on Dimming" on reverse

Example: SCR15-80-27-B-120-20-T1-TE-BD2

SCR _____

* Specification sheets are subject to change without notice.

Photometric Data

Distance	20° Spot Reflector Beam Spread	Footcandles					
		ACR9	ACR11	ACR13	ACR15	ACR18	ACR20
5'	1'7"	126	155	191	220	241	268
10'	3'5"	31	39	48	55	60	67
15'	5'3"	14	17	21	24	27	30
20'	7'1"	8	10	12	14	15	17
25'	8'8"	5	6	8	9	10	11
30'	10'6"	-	5	5	6	7	7

Distance	40° Medium Flood Reflector Beam Spread	Footcandles					
		ACR9	ACR11	ACR13	ACR15	ACR18	ACR20
5'	3'6"	74	91	113	130	144	160
10'	7'3"	19	23	28	33	36	40
15'	10'9"	8	10	13	15	15	18
20'	14'6"	5	5	7	8	9	10
25'	18'2"	-	-	-	5	6	6
30'	22'2"	-	-	-	-	-	-

Distance	60° Flood Reflector Beam Spread	Footcandles					
		ACR9	ACR11	ACR13	ACR15	ACR18	ACR20
5'	5'7"	39	49	61	70	85	97
10'	11'6"	10	12	15	18	21	24
15'	17'3"	5	5	7	8	9	11
20'	23'1"	-	-	-	5	5	6
25'	28'9"	-	-	-	-	-	5
30'	35'2"	-	-	-	-	-	-

Extension Wands

SP 12	12" Stem
SP 18	18" Stem
SP 24	24" Stem
SP X	Custom Length

Mounting Options

DT2 2-circuit track adapter for SpecTrack databus. 120V.

HDT2 Track adapter for SpecTrack 2-Circuit data track. 277V.

AD1 Track Adapter for commercial grade 1 & 2 circuit track. 120V. For use with lightweight fixtures.

TA2 Track adapter for G-Series specification grade 2-circuit track. 120V or 277V.

HTA2 Track adapter for G-Series specification grade 2-circuit track. 120V or 277V.

TA3 Track adapter for G-Series specification grade 3-circuit track. 120V.

CM4 Canopy Mount

US1 6 $\frac{5}{8}$ " x 1 $\frac{1}{2}$ " Unirut Adapter

MC Light duty pipe clamp for small fixtures. For pipes up to 1 $\frac{5}{16}$ " O.D.

MN Medium duty pipe clamp for small to large fixtures. For pipes up to 2" O.D.

Accessories

AH18	Accessory Holder
LV18	Louver
GF18	Glass Color Filter
FX22-26	Red Filter
FX22-80	Blue Filter
FX22-64	Light Blue Filter
FX22-90	Green Filter
FX22-21	Amber Filter
FX22-10	Yellow Filter
FX22-33	Pink Filter
DF18	Dichroic Color Filter
OF22-9101	Lite Diffusion
GF18-600	5°x50° Linear Lens
GF18-601	Beam Softener
GF18-673	50°x50° Spread Lens
CC18	Coiled Cord

* For notes on dimming, please [click here](#).