

MOSAIC BELL



5 Holt Drive,
Stony Point, NY 10980
845-947-3034
www.tslight.com

Color Mixing - Tunable White

The Mosaic Bell features tunable color and a high CRI output. It also features tunable white from 1650K - 8000K with a CRI of 90+ across the entire temperature range. Rich blues, ambers, reds, violets and greens can be added in gradients or can completely saturate the output of the light. Interchangeable reflectors allow beam angles between 10° and 60°.

Key Features:

- 2000 Lumen Output
- 4 DMX Channels
- **Tunable range:** 1650 - 8000K tunable white.
- Mix colors such as red, amber, mint, cyan and blue, plus green if an expanded gamut option with saturated green is desired
- 90+ CRI
- Dimmable from 100 - 0.1% at constant CCT
- <2 MacAdam ellipse over 50,000 hour life

Manufactured in the USA - IBEW



Power

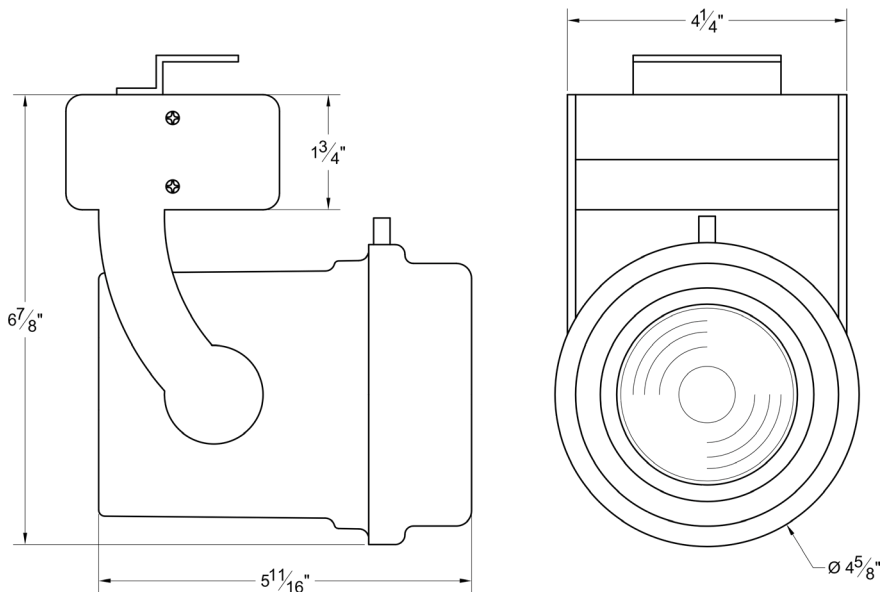
- **Power Consumption:** 28W
Max. Operating Temp.: 104°F (40°C) ambient
- 90 - 305 VAC, 50/60 Hz
- Do not install on a circuit containing a dimmer.
- DMX Addressing is RDM-only (No onboard DMX).

Optics

- 10°, 20°, 40° or 60° field-changeable reflectors

Weight

- **Weight:** 3 lbs.



Ordering Matrix

Model	Finish	Optics	Mounting	Dimming*
CTH22	B - Black W - White S - Silver CC - Custom Color	10 = 10° 20 = 20° 40 = 40° 60 = 60°	See Mounting Options	BT = Bluetooth DX = DMX / RDM

* See "Notes on Dimming" on reverse.

Example: CTH22-B-60-DT-DX

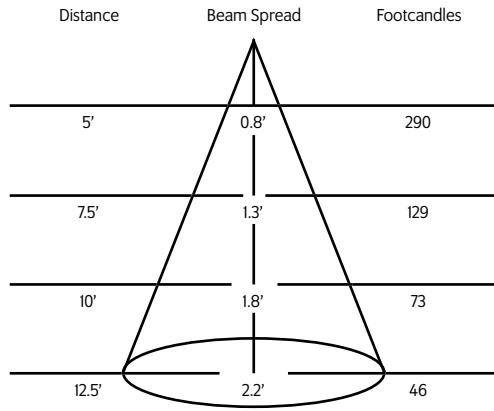
CTH22 - _____ - _____ - _____ - _____



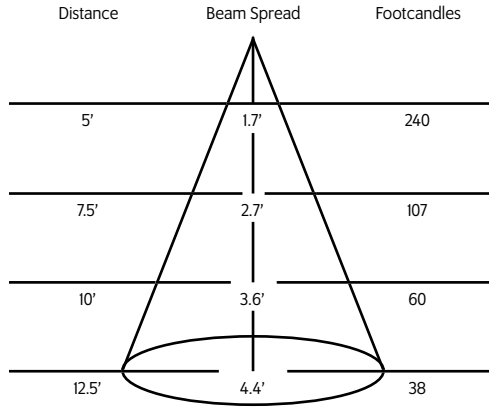
* Specification sheets are subject to change without notice.

Photometric Data 4000° K 95CRI

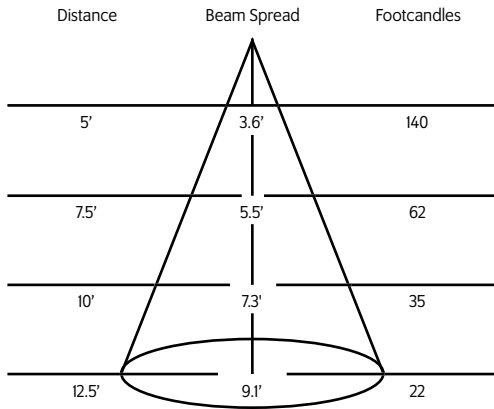
10° Spot Reflector



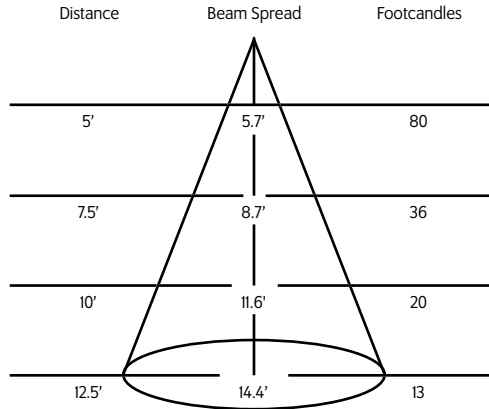
20° Spot Reflector



40° Medium Flood Reflector



60° Flood Reflector



Mounting Options

DT2 2-circuit track adapter for SpecTrack databus. 120V.

HDT2 2-circuit track adapter for SpecTrack databus. 277V.

CM4 Canopy Mount

US1 6⁵/₈" x 1¹/₂" Unitrut Adapter

TB8 8" x 8" Portable table base for floor and table use

MC Light duty pipe clamp for small fixtures. For pipes up to 1 5/16" O.D.

MN Medium duty pipe clamp for small to large fixtures. For pipes up to 2" O.D.

Accessories

LV6

XL6

BD10

HD6

XH6

SH6

GF22-600*

GF22-601*

GF22-673*

X00517

LV18*

CC18

SC-24

WL

Louwer

Cross Baffle Louwer

Barndoor

Hood

Cross Baffle Hood

Sparkle Hood

5°x50° Linear Lens

Beam Softener

50° x 50° Spread Lens

Accessory Holder

Honeycomb Louwer

Coiled Cord

Safety Cable

Wrench Locking

* X00517 Required