



Manufactured in the USA - IBEW

PRODUCT LISTED  
BY A NATIONALLY  
RECOGNIZED  
TESTING  
LABORATORY



# XICATO

## Voltage

120 120 Volt

## Reflector

20 20° Reflector  
40 40° Reflector  
60 60° Reflector

## Accessories

LV6 Louver  
XL6 Cross Baffle Louver  
BD10 Barndoor  
HD6 Hood  
XH6 Cross Baffle Hood  
X00517 \* Glass/Dichroic Holder  
GF22 Glass Color Filter  
DF22 Dichroic Color Filter  
GF22-600 5°x50° Linear Lens  
GF22-601 Beam Softener  
GF22-673 50°x50° Spread Lens

\* Required accessory when using glass or dichroic filters

# IXT20

21W 2000 Lumen DMX LED



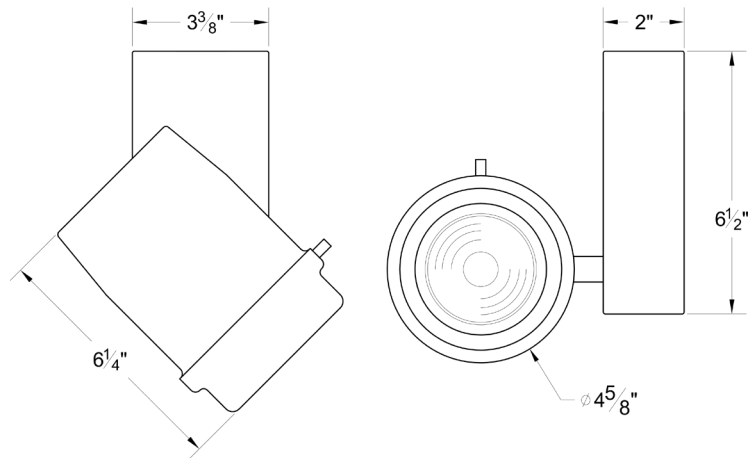
5 Holt Drive,  
Stony Point, NY 10980  
845-947-3034  
info@tslight.com

The IXT20 is designed around the Xicato™ LED remote phosphor module. This module produces an even field of illumination for the most demanding applications. The IXT20 is ideal for museum and retail lighting where a low wattage, high output LED fixture would be required. Xicato™ LEDs exceed ANSI specifications by maintaining tight color consistency over the life of the LED module.

The IXT20 is available in standard black, white, or silver finishes. Custom colors are available upon request.

## Features

- Compatible with DMX controllers
- Push-button addressing
- 100-277 Volt available
- 21-Watt (98 CRI) or 16-Watt (83 CRI)
- 50,000 Hour life
- Integral electronic driver
- 20°, 40° and 60° Field-changeable reflectors
- Choice of color temperature: 2700, 3000, 3500 or 4000.
- CRI ≥83 or 98
- No UV or IR



## Extension Wands

SP 12 12" Stem  
SP 18 18" Stem  
SP 24 24" Stem  
SP X Custom Length

## Finish

B Black  
W White  
S Silver  
CC Custom Color

## Ordering Matrix

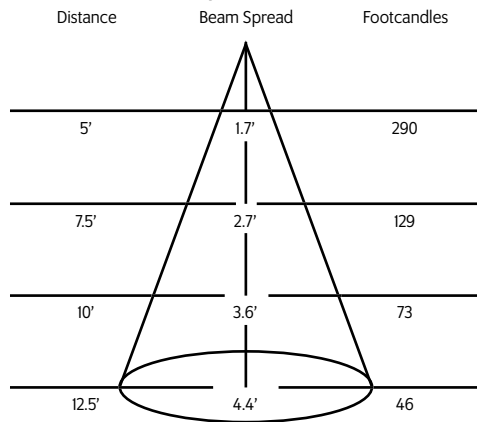
Model	CRI	Color Temp	Finish	Voltage	Reflector	Mounting	Accessories
IXT20	83 98	27 = 2700K 30 = 3000K 35 = 3500K 40 = 4000L	B = Black W = White S = Silver CC = Custom Color	120	20 = 20° 40 = 40° 60 = 60°	See Mounting Options	See Accessory Options

Example: IXT20-83-30-B-120-20-STA-LV6

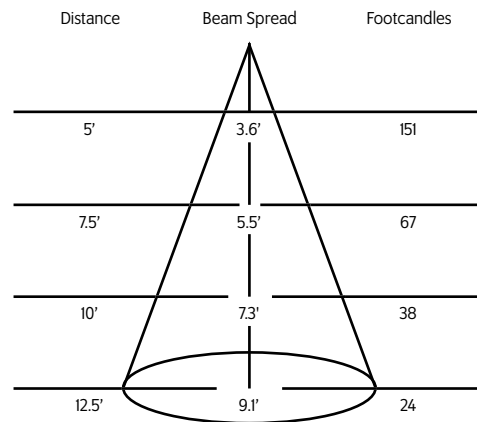
IXT20- - - - -

## Photometric Data 3000° K 83CRI

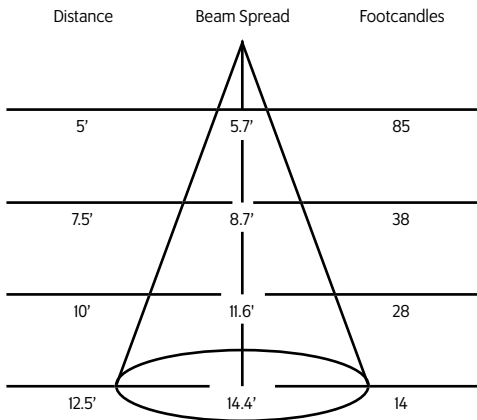
### 20° Spot Reflector



### 40° Medium Flood Reflector



### 60° Flood Reflector



## Mounting Options

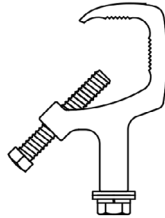
**DT2** 2-circuit track adapter for SpecTrack databus. 120V.

**HDT2** Track adapter for SpecTrack 2-Circuit data track. 277V.

**USI\*** 6 5/8" x 1 1/2" Unistrut adapter.



**MN\*** Medium duty pipe clamp for small to large fixtures. For pipes up to 2" O.D.



**DXTC** Canopy mount with terminal block for DMX.

**CM4\*** Canopy mount.

\* Contact factory for wiring details.