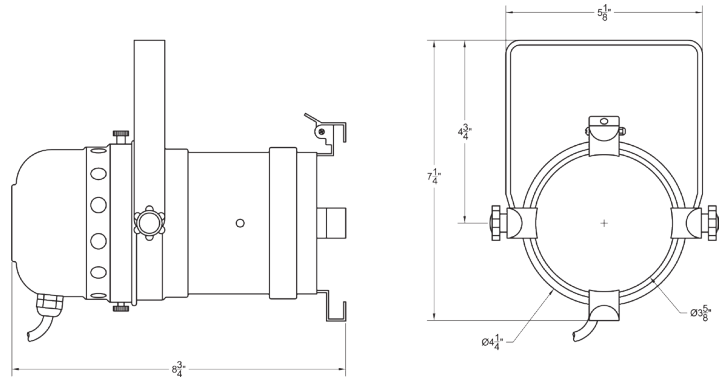


The PAR30L is a compact, theatrical style unit designed for PAR30 short neck lamps. The PAR30L is ideal for lighting in galleries, museums and retail applications. Comes in standard black, white, and chrome finishes. Custom colors available by request and at an additional charge.

## FEATURES

- Theatrical Design
- Accepts PAR30 short neck lamps and LED's
- Accessory holder with safety catch
- Numerous mounting options



MODEL NUMBER	FINISH	MOUNTING	ACCESSORIES
PAR30L	B Black W White S Silver CC Custom Color	T1 Track Adapter. 1 or 2 Circuit. 120V. TA1 Track Adapter. E-Series. 1 Circuit. 120V. TA2 Track Adapter. G-Series. 2 Circuit. 120V. TA3 Track Adapter. G-Series. 3 Circuit. 120V.  CM4 Canopy Mount.  US1 6 5/8" x 1 1/2" Unistrut Adapter.  TB8 6 1/4" Portable Wall Mount/Table Base Floor.  MN Medium Duty Pipe Clamp. For pipes up to 2" O.D.	LV43 Louver BD43 Barndoor GF43 Glass Color Filter DF43 Dichroic Color Filter GF43-600 5°x50° Linear Lens GF43-601 Beam Softener GF43-673 50°x50° Spread Lens CC18 Coiled Cord SC-24 Safety Cable

**EXAMPLE:** PARK30L - B - TA2 - LV43

MODEL NUMBER	FINISH	MOUNTING	ACCESSORIES
PAR30L			