



SB56

300-500W PAR56



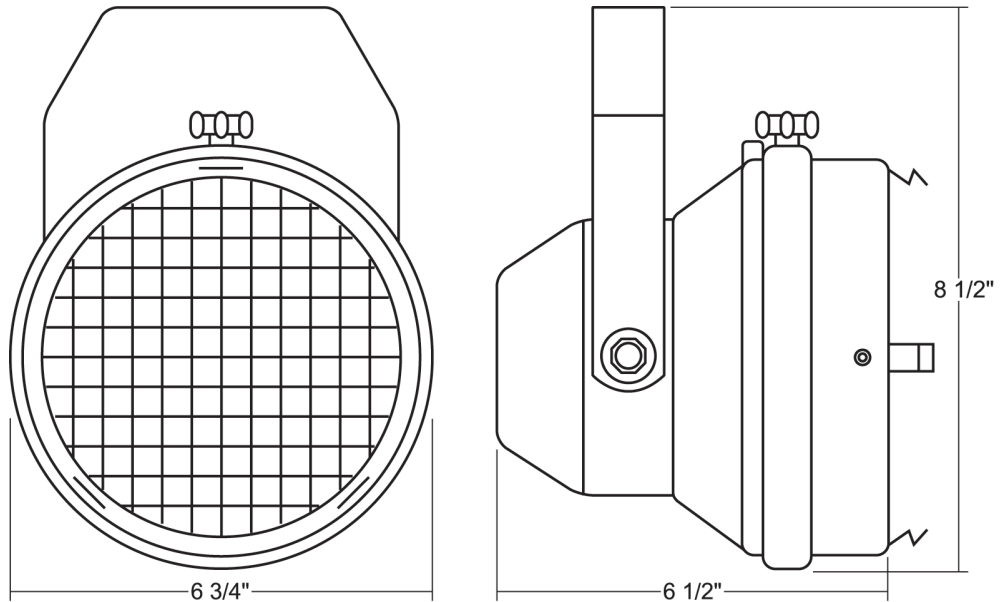
5 Holt Drive,
Stony Point, NY 10980
845-947-3034
info@tslight.com

The SB56 is designed for medium to long throw applications including malls, retail stores, display and exhibit areas, galleries, museums and installations that require a high intensity, compact fixture. This unit accepts 300 to 500-watt PAR56 lamps in a variety of beam spreads.

The SB56 features a wrench-lock yoke and accessory-retaining clips that accept louvers, barndoors, hoods and filters. Its hinged front makes re-lamping easy and rotates the lamp for precise beam orientation. Equipped with a lamp safety shield. Available in standard black, white and silver finishes. Custom colors are available by request and at an additional charge.

Manufactured in the USA - IBEW

PRODUCT LISTED
BY A NATIONALLY
RECOGNIZED
TESTING
LABORATORY



Lamp Types

300PAR56/NSP	300W; 2000Hrs; 8°x10° Beam; 68000 CBCP; 2750°K Color Temp
300PAR56/MFL	300W; 2000Hrs; 11°x23° Beam; 24000 CBCP; 2750°K Color Temp
300PAR56/WFL	300W; 2000Hrs; 18°x37° Beam; 11000 CBCP; 2750°K Color Temp
Q500PAR56/NSP	500W; 4000Hrs; 8°x13° Beam; 96000 CBCP; 2950°K Color Temp
Q500PAR56/MFL	500W; 4000Hrs; 10°x26° Beam; 43000 CBCP; 2950°K Color Temp
Q500PAR56/WFL	500W; 4000Hrs; 20°x44° Beam; 19000 CBCP; 2950°K Color Temp

Ordering Matrix

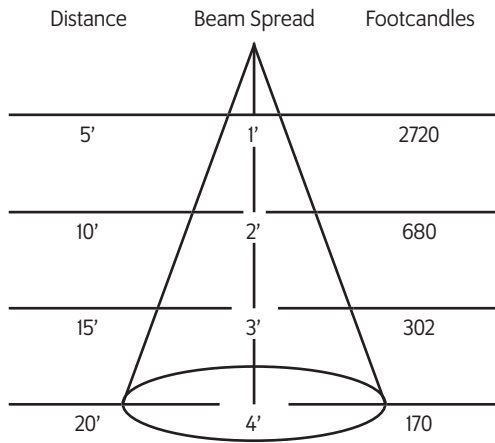
Model	Finish	Mounting	Accessories
SB56	B = Black W = White S = Silver CC = Custom Color	See Mounting Options	See Accessory Options

Example: SB56-B-TI-LV7

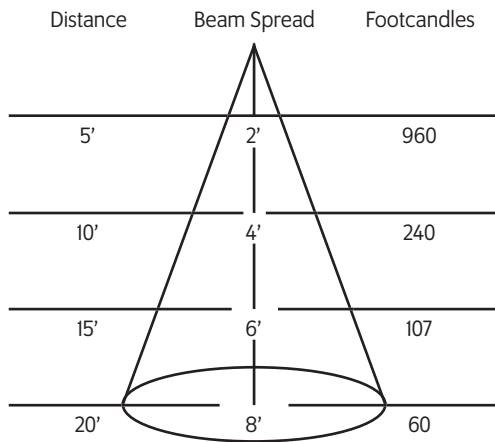
SB56-_____ - _____ - _____

Photometric Data

300PAR56/NSP 8°x10°



300PAR56/MFL 11°x23°



Mounting Options

AD1

Track adapter for commercial grade 1 & 2 circuit track. 120V. For use with Lightweight fixtures.

T1

Track adapter for commercial grade 1 & 2 circuit track. 120V. For use with larger, heavier fixtures.

TA2 / HTA2 (277)

Track adapter for G-Series specification grade 2-circuit track. 120V or 277V.

TA3

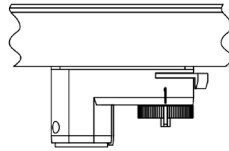
Track adapter for G-Series specification grade 3-circuit track. 120V.

TA1 / TE2 (2 circuit)

Track adapter for E-Series specification grade track. 1 or 2 circuit. 120V.

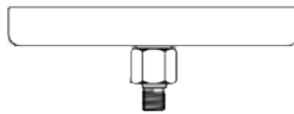
ST2

2 circuit track adapter for Data Bus. Specification grade track. 120V.



CM4

Canopy mount.



US1

6 5/8" x 11/2" Unistrut adapter.



TB4

6 1/4" Portable wall mount/table base floor, wall or table use.

TB8

8" x 8" Portable table base for floor or table use.



MC

Light duty pipe clamp for small fixtures. For pipes up to 15/16" O.D.

MN

Medium duty pipe clamp for small to large fixtures. For pipes up to 2" O.D.

PC9M

Heavy duty pipe clamp for large, heavy fixtures. For pipes up to 2" O.D.



Accessories

LV9

Louver

LV9BD

Louver (for use with BD9)

BD9

Barndoor

HD9

Hood

XH9

Cross Baffle Hood

CF9

Color Frame

GF9

Glass Color Filter

DF9

Dichroic Color Filter

GF9-600

5°x50° Linear Lens

GF9-601

Beam Softener

GF9-673

50°x50° Spread Lens

GF9-702

UV Blocking Filter

CC18

Coiled Cord

SC-24

Safety Cable

Extension Wands

SP 12

12" Stem

SP 18

18" Stem

SP 24

24" Stem

SP X

Custom Length

Finish

B

Black

W

White

S

Silver

CC

Custom Color

