

# Lite Truss



5 Holt Drive,  
Stony Point, NY 10980  
845-947-3034  
info@tslight.com

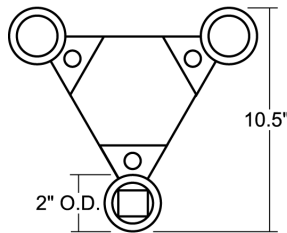
Lite Truss is a structural system ideal for lighting, exhibits, displays and retail applications. It is also the latest system used by Times Square Lighting to compliment their wide range of architectural products.

Lite Truss is available in standard silver and in lengths measuring 400-4,000mm. Custom lengths and colors are also available. The integrated track can be ordered in 1, 2 and 3 circuit systems, and a wide range of support hardware is available.

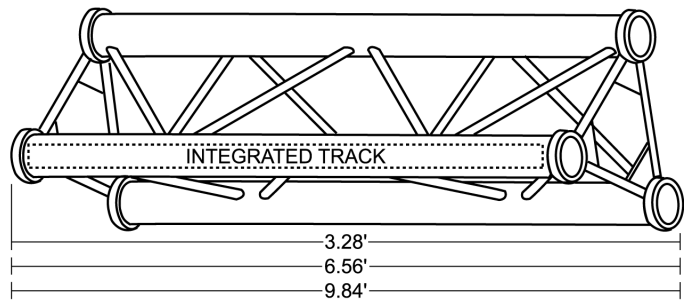


Manufactured in the USA - IBEW

Side View



Front View



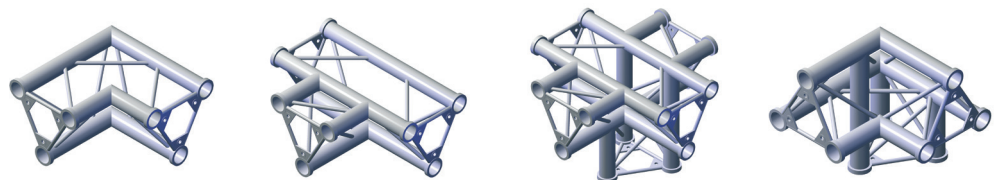
## Features

- 1, 2 or 3 circuit integrated track
- Custom sizes available
- Wide range of corners, T's, L's and alternate configurations available
- In-house automated powder coating (Pantone matching available)
- Ability to incorporate lighting fixtures by other manufacturers
- Free AutoCad design support

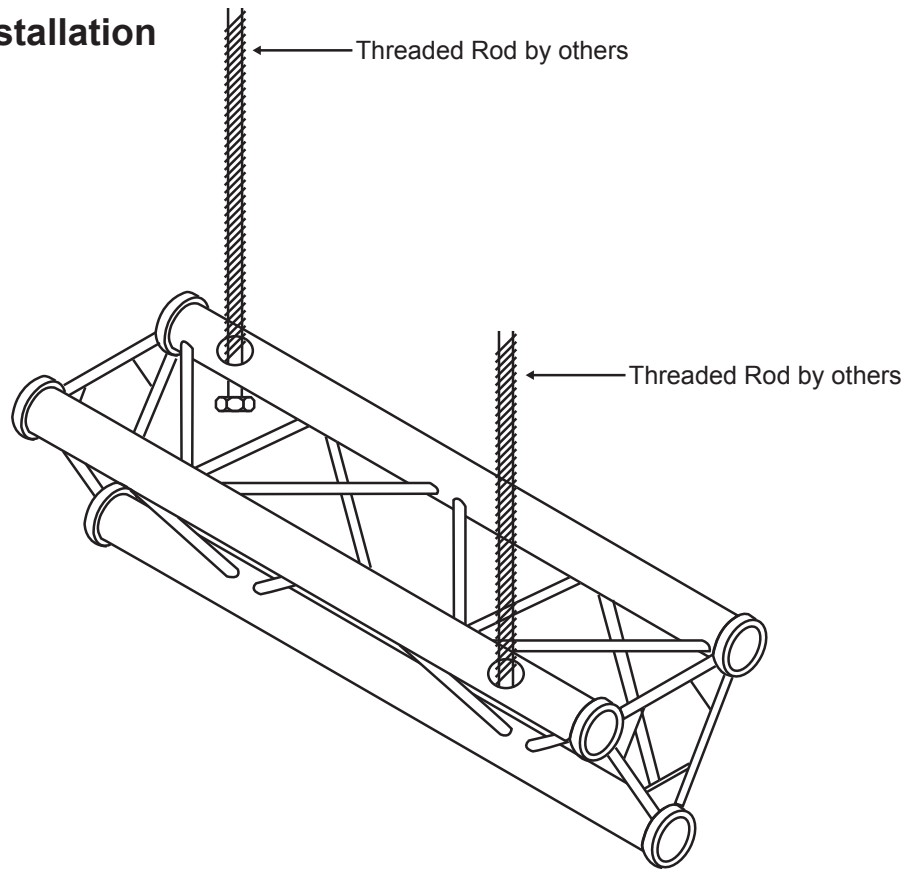
## Model Numbers:

*Excluding integrated track.*

<b>STCE1000</b>	1M (3.28') x 10.5"
<b>STCE2000</b>	2M (6.56') x 10.5"
<b>STCE3000</b>	3M (9.84') x 10.5"



## Threaded Rod Installation



---

## Aircraft Cable Installation

