



# TWM26

2600 Lumen



5 Holt Drive  
Stony Point, NY 10980  
845-947-3034  
info@tslight.com

The TWM26 emphasizes efficiency and economy with an emphasis on economy. It is designed for short to medium throw applications. The TWM26 can be fitted with up to three accessories, including barn doors, louvers and lenses. This versatile fixture is available with a wide variety of mounting and dimming options, allowing for a huge range of customization possibilities.

The TWM26 is available in standard black, white, or silver finishes. Custom colors are available upon request.

Manufactured in the USA - IBEW



## Features:

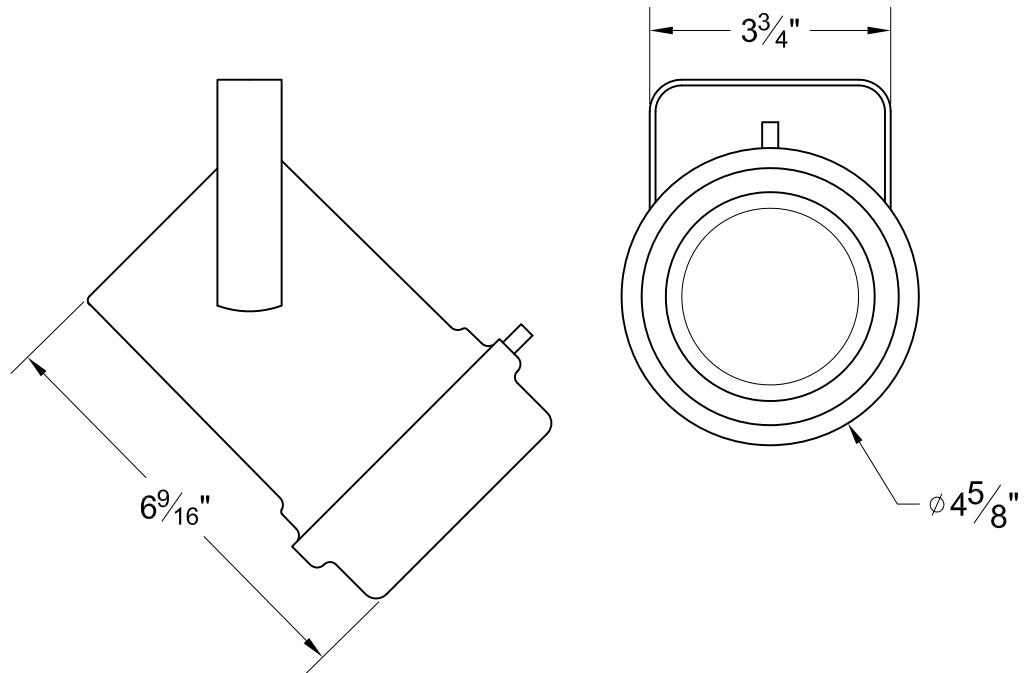
- Internal accessory holder
- Vented rear spinning
- Numerous mounting options

## Electrical

- Integral electronic driver
- 100-277V, 50/60Hz
- Meets FCC 47 CFR Part 15/18 Requirements

## Construction

- Steel housing with black, white or silver finish
- Accepts up to 3 accessories
- Weight: 3 lbs.



## LED

- ERP ARAYA
- TWM2 (with Diffuser Lens)
- **Color Temperature Range:** 1800K - 6500K
- **CRI:** 90+
- **Source Lumens:** 2600
- **Lumen Maintenance:** L70 (70% of initial lumens) at 50,000 hours.
- Bluetooth commissioning and lumen output programability.

Model	CRI	Total Wattage	Lumens	Efficacy (Lm/W)
TWM26	90	24	2600	108

\* Total wattage equals LED plus driver. Delivered lumen may vary depending on LED module, color temperature, optics, and accessories. Testing done with 3000K LED array.

## Ordering Matrix

Model	Lumens	CRI	Color Temp	Finish	Optics	Mounting	Dimming †	Accessories
TWM	26 = 2600	90	18 = 1800K 20 = 2000K 22 = 2200K 25 = 2500K 30 = 3000K 35 = 3500K 40 = 4000K 50 = 5000K 65 = 6500K	B = Black W = White S = Silver CC = Custom Color	12 = 12° 19 = 19° 33 = 33° 40 = 40° 48 = 48° 55 = 55° 64 = 64°	See Mounting Options	TE = Trailing Edge* LE = Leading Edge* 010 = 0-10V ND = Non-Dimming IP = Integral Pot †	See Accessory Options

Maximum ambient temperature: 35°C  
Maximum operating angle: 45° from vertical

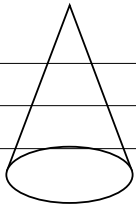
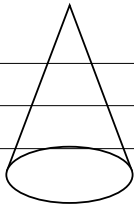
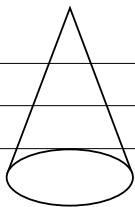
† See "Notes on Dimming" on reverse

**Example:** TWM26-90-18-B-19-DT2-TE-LV6

TWM26- \_\_\_\_\_ - \_\_\_\_\_ - \_\_\_\_\_ - \_\_\_\_\_ - \_\_\_\_\_ - \_\_\_\_\_

\* Specification sheets are subject to change without notice.

## Photometric Data

19° Spot Reflector			40° Spot Reflector			64° Spot Reflector		
Distance	Beam Spread	Footcandles	Distance	Beam Spread	Footcandles	Distance	Beam Spread	Footcandles
5'		100	5'		84	5'		60
10'		25	10'		21	10'		15
15'		11	15'		9	15'		7
20'		6	20'		6	20'		2

## Mounting Options

**AD1** Track adapter for single track. Good for use with small, lightweight fixtures.

**DT2** 2-circuit track adapter for SpecTrac databus, 120V.

**HDT2** 2-circuit track adapter for SpecTrac databus, 277V.

**TA2** Track adapter for G-Series specification grade 2-circuit track. 120V.

**HTA2** Track adapter for G-Series specification grade 2-circuit track. 277V.

**TA3** Track adapter for G-Series specification grade 3-circuit track. 120V.

**CM4** Canopy Mount

**US1** 6 $\frac{5}{8}$ " x 1 $\frac{1}{2}$ " Unitrut Adapter

**TB8** 8" x 8" Portable table base for floor and table use

**MC** Light duty pipe clamp for small fixtures. For pipes up to 1 $\frac{5}{16}$ " O.D.

**MN** Medium duty pipe clamp for small to large fixtures. For pipes up to 2" O.D.

**PC9M** Heavy duty pipe clamp for large, heavy fixtures. For pipes up to 2" O.D.

## Accessories

<b>LV6</b>	Louwer
<b>XL6</b>	Cross Baffle Louwer
<b>BD10</b>	Barndoor
<b>HD6</b>	Hood
<b>XH6</b>	Cross Baffle Hood
<b>CF10</b>	Color Frame
<b>GF10-600</b>	5°x50° Linear Lens
<b>GF10-601</b>	Beam Softener
<b>GF10-673</b>	50°x50° Spread Lens
<b>LV10*</b>	Honeycomb Louwer
<b>FX10-26*</b>	Red Filter
<b>FX10-80*</b>	Blue Filter
<b>FX10-64*</b>	Light Blue Filter
<b>FX10-90*</b>	Green Filter
<b>FX10-21*</b>	Amber Filter
<b>FX10-10*</b>	Yellow Filter
<b>FX10-33*</b>	Pink Filter
<b>CC18</b>	Coiled Cord
<b>SC-24</b>	Safety Cable
<b>IP</b>	Integral Dimmer
<b>WL</b>	Wrench Locking

\* Wide range of colors available.

## Extension Wands

<b>SP 12</b>	12" Stem
<b>SP 18</b>	18" Stem
<b>SP 24</b>	24" Stem
<b>SP X</b>	Custom Length

\* For notes on dimming, please [click here](#).