



PFL Series

Wall Wash / Flood



5 Holt Drive
Stony Point, NY 10980
845-947-3034
info@tslight.com

The PFL Series uses the Bridgelux Thrive™ LED which closely matches the spectra of natural light over the visible wavelength range. Thrive™ brings full spectrum natural light indoors, ideal for plant life at all growth stages, and incorporates circadian elements that may impact human well-being. The high fidelity spectral output of Thrive™ creates stunning environments with excellent color rendering and outstanding TM30 metrics. The PFL Series is available in standard black, white, or silver finishes. Custom colors are available upon request.

Manufactured in the USA - IBEW

PRODUCT LISTED
BY A NATIONALLY
RECOGNIZED
TESTING
LABORATORY



Construction

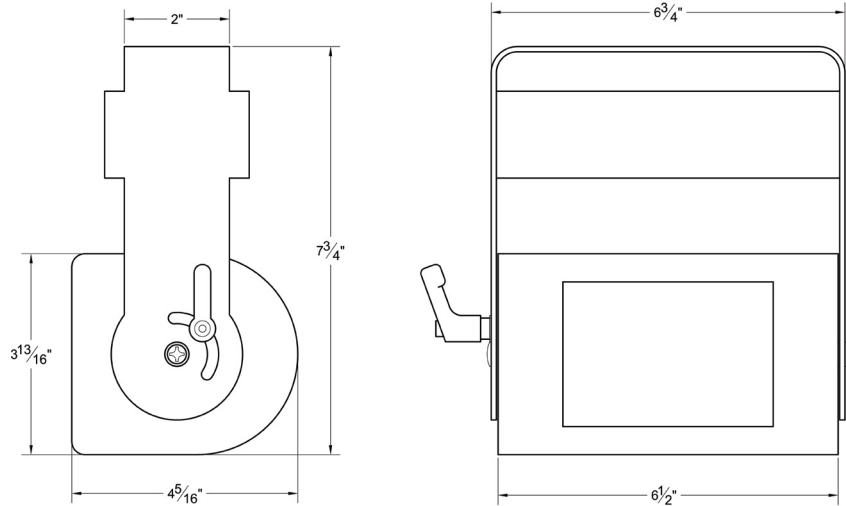
- Aluminum housing with black, white, silver or custom color finish
- Locking yoke
- Weight:** 2 lbs.

Electrical

- Integral electronic driver
- 120-277V 50/60 Hz
- Meets FCC 47 CFR Part 15/18 Requirements

LED

- Engineered spectrum to closely match natural light
- CRI>95, R1-R15>90, high Rf and Rg values
- High efficacy full spectrum solution
- No violet chip augmentation
- Hot color targeted
- Full consistent spectrum with few spectral spikes
- Natural and vivid color rendering



Model	CRI	Total Wattage	Lumens	Efficacy (Lm/W)
PFL9	95	7	900	129
PFL12	95	9	1200	133
PFL15	95	12	1500	125
PFL18	95	14.5	1800	124
PFL20	95	16	2000	125
PFL21	95	17.5	2100	120
PFL25	95	24	2500	104
PFL27	95	25	2700	108
PFL30	95	30	3000	100
PFL42	95	40	4200	105

* Total wattage equals LED plus driver. Delivered lumen may vary depending on LED module, color temperature, optics, and accessories. Testing done with 4000K LED array.

Ordering Matrix

Model	Lumens	CRI	Color Temp	Finish	Voltage	Mounting	Dimming †	Accessories
PFL	9 = 900 12 = 1200 15 = 1500 18 = 1800 20 = 2000 21 = 2100 25 = 2500 27 = 2700 30 = 3000 42 = 4200	95	40 = 4000K	B = Black W = White S = Silver CC = Custom Color	100† 120 240 277	See Mounting Options	TE = Trailing Edge* LE = Leading Edge** 010 = 0-10V ND = Non-Dimming	See Accessory Options

Maximum ambient temperature: 35°C

* 277V TE Dimming available on 1500, 2100 or 2700 lumen only.
** 120V Only

† See "Notes on Dimming" on reverse
‡ Non-Dim or 0-10V dimming only

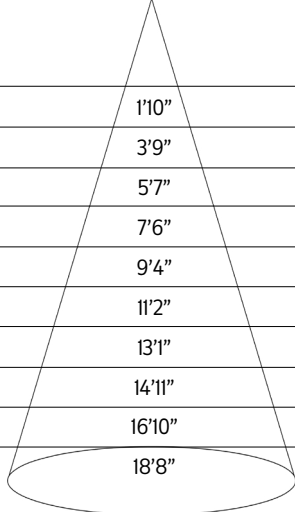
Example: PFL30-95-40-B-120-ADI-TE-CF14

PFL _____

* Specification sheets are subject to change without notice.

Photometric Data

Distance	50° Beam Spread	Footcandles									
		PFL9	PFL12	PFL15	PFL18	PFL20	PFL21	PFL25	PFL27	PFL30	PFL42
2'	1'10"	223	297	372	446	495	520	621	669	743	1050
4'	3'9"	56	74	93	112	124	130	155	167	186	263
6'	5'7"	25	33	41	50	55	63	69	74	83	117
8'	7'6"	14	19	23	28	31	36	39	42	46	66
10'	9'4"	9	12	15	18	20	23	25	27	30	42
12'	11'2"	6	8	10	12	14	16	17	19	21	29
14'	13'1"	5	6	8	9	10	12	13	14	15	21
16'	14'11"	-	5	6	7	8	9	10	10	12	16
18'	16'10"	-	-	5	6	6	7	7	8	9	13
20'	18'8"	-	-	-	5	5	6	6	7	7	11



Mounting Options

DT2 2-Circuit track adapter for SpecTrack databus. 120V.

HDT2 Track adapter for SpecTrack 2-Circuit data track. 277V.

ADI Track adapter for commercial grade 1-circuit track. Good for use with small, lightweight fixtures.

TA2 Track adapter for G-Series specification grade 2-circuit track. 120V.

HTA2 Track adapter for G-Series specification grade 2-circuit track. 277V.

TA3 Track adapter for G-Series specification grade 3-circuit track. 120V.

CM4 Canopy Mount

US1 6 $\frac{5}{8}$ " x 1 $\frac{1}{2}$ " Unitrut Adapter

TB8 8" x 8" Portable table base for PFLoor and table use

MC Light duty pipe clamp for small fixtures. For pipes up to 1 $\frac{5}{16}$ " O.D.

MN Medium duty pipe clamp for small to large fixtures. For pipes up to 2" O.D.

PC9M Heavy duty pipe clamp for large, heavy fixtures. For pipes up to 2" O.D.

Accessories

BD14-500	Accessory Holder
BD14	Barn Door
CF14	Color Frame
CC18	Coiled Cord
SC-24	Safety Cable

Extension Wands

SP 12	12" Stem
SP 18	18" Stem
SP 24	24" Stem
SP X	Custom Length

* For notes on dimming, please [click here](#).