



PCBR High Power



5 Holt Drive
Stony Point, NY 10980
845-947-3034
info@tslight.com

The PCBR High Power uses the Bridgelux Thrive™ LED which closely matches the spectra of natural light over the visible wavelength range. Thrive™ brings full spectrum natural light indoors, ideal for plant life at all growth stages, and incorporates circadian elements that may impact human well-being. The high fidelity spectral output of Thrive™ creates stunning environments with excellent color rendering and outstanding TM30 metrics. The PCBR High Power is available in standard black, white, or silver finishes. Custom colors are available upon request.

Manufactured in the USA - IBEW



Construction

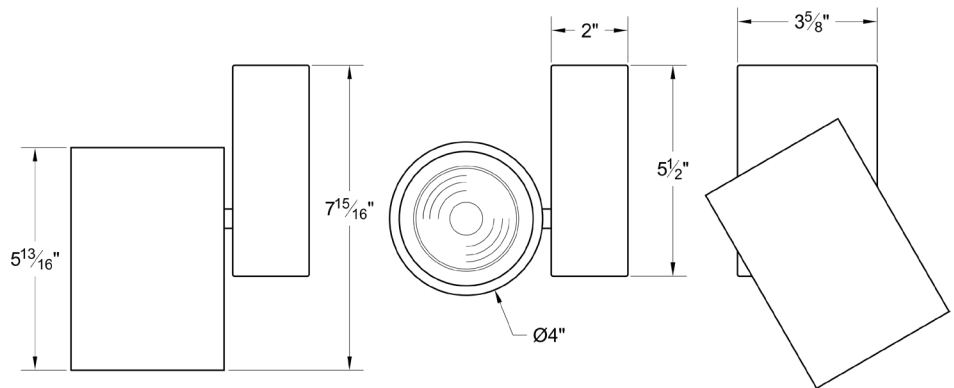
- Aluminum housing with black, white or silver finish
- Accepts up to 3 accessories
- Weight:** 3 lbs.

Electrical

- Integral electronic driver
- 100-277V, 50/60Hz
- Meets FCC 47 CFR Part 15/18 Requirements

LED

- Engineered spectrum to closely match natural light
- CRI>95, R1-R15>90, high Rf and Rg values
- High efficacy full spectrum solution
- No violet chip augmentation
- Hot color targeted
- Full consistent spectrum with few spectral spikes
- Natural and vivid color rendering



LED

- Engineered spectrum to closely match natural light
- CRI>95, R1-R15>90, high Rf and Rg values
- High efficacy full spectrum solution
- No violet chip augmentation
- Hot color targeted
- Full consistent spectrum with few spectral spikes
- Natural and vivid color rendering

Model	CRI	Total Wattage	Delivered Lumens	Efficacy (Lm/W)
PCBR42	92	40	4200	105
PCBR46	92	45	4600	102
PCBR52	92	55	5200	95

* Total wattage equals LED plus driver. Delivered lumen may vary depending on LED module, color temperature, optics, and accessories. Testing done with 4000K LED array.

Ordering Matrix

Model	Lumens	CRI	Color Temp	Finish	Voltage	Optics	Mounting	Dimming †	Accessories
PCBR	42=4200 46=4600 52=5200	95	40 = 4000K 50 = 5000K	B = Black W = White S = Silver CC = Custom Color	100 ^{††} 120 240 277	20 = 20° 40 = 40° 60 = 60°	See Mounting Options	TE = Trailing Edge** LE = Leading Edge*** 010 = 0-10V ND = Non-Dimming IP = Integral Dimmer***	See Accessory Options

Maximum ambient temperature: 35°C
Maximum operating angle: 45° from vertical

** 120V Only
*** Available on 4200 and 5200 lumen only.

† See "Notes on Dimming" on reverse
†† Non-dim or 0-10V dimming only

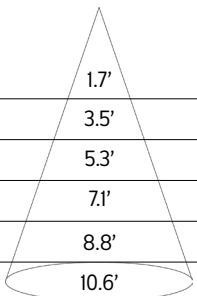
Example: PCBR42-9540-B-120-40-AD1-TE-LV22

PCBR _____ - _____ - _____ - _____ - _____ - _____ - _____

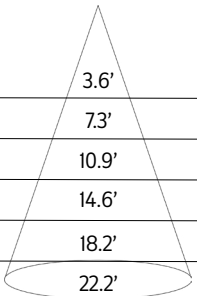
* Specification sheets are subject to change without notice.

Photometric Data

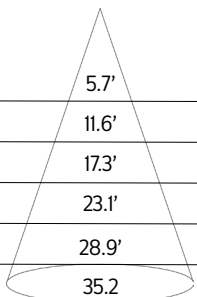
Distance	20° Spot Reflector		Footcandles		
	Beam Spread		PCBR42	PCBR46	PCBR52
5'	1.7'		667	722	824
10'	3.5'		167	181	206
15'	5.3'		74	80	92
20'	7.1'		41	45	52
25'	8.8'		26	29	33
30'	10.6'		18	20	23



Distance	40° Spot Reflector		Footcandles		
	Beam Spread		PCBR42	PCBR46	PCBR52
5'	3.6'		341	373	422
10'	7.3'		85	93	106
15'	10.9'		37	41	47
20'	14.6'		21	23	26
25'	18.2'		14	15	17
30'	22.2'		9	10	12



Distance	60° Spot Reflector		Footcandles		
	Beam Spread		PCBR42	PCBR46	PCBR52
5'	5.7'		199	218	246
10'	11.6'		50	55	62
15'	17.3'		22	24	27
20'	23.1'		12	13	15
25'	28.9'		8	9	10
30'	35.2'		3	6	5



Mounting Options

DT2 2-circuit track adapter for SpecTrack databus. 120V.

HDT2 Track adapter for SpecTrack 2-Circuit data track. 277V.

ADI Track adapter for commercial grade 1-circuit track. Good for use with small, lightweight fixtures.

TA2 Track adapter for G-Series specification grade 2-circuit track. 120V.

HTA2 Track adapter for G-Series specification grade 2-circuit track. 277V.

TA3 Track adapter for G-Series specification grade 3-circuit track. 120V.

CM4 Canopy Mount

US1 6⁵/₈" x 1¹/₂" Unitrut Adapter

TB8 8" x 8" Portable table base for floor and table use

MC Light duty pipe clamp for small fixtures. For pipes up to 1 5/16" O.D.

MN Medium duty pipe clamp for small to large fixtures. For pipes up to 2" O.D.

PC9M Heavy duty pipe clamp for large, heavy fixtures. For pipes up to 2" O.D.

Accessories

BD20	Barndoor
LV22	Full Size Louver
XL22	Full Size X Baffle Louver
XH22	Full Size X Baffle Hood
HD22	Hood/Snoot
X00517	Accessory Holder
LV18*	Honeycomb Louver
OF22-9101*	Smoothing Frost Filter
GF22-600*	5x50 Linear Lens
GF22-601*	Solite Softner
GF22-673*	50 x 50 Spread Lens

CC18	Coil Cord Option
SC024	Safety Cable

* X00517 Required

Extension Wands

SP 12	12" Stem
SP 18	18" Stem
SP 24	24" Stem
SP X	Custom Length

* For notes on dimming, please [click here](#).