

Job Name: Fixture Type: Qty:

Line Voltage by Times Square Lighting



C4M 50-75W PAR30

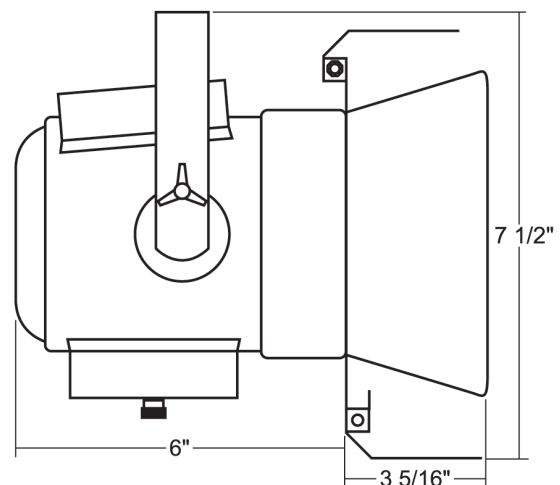
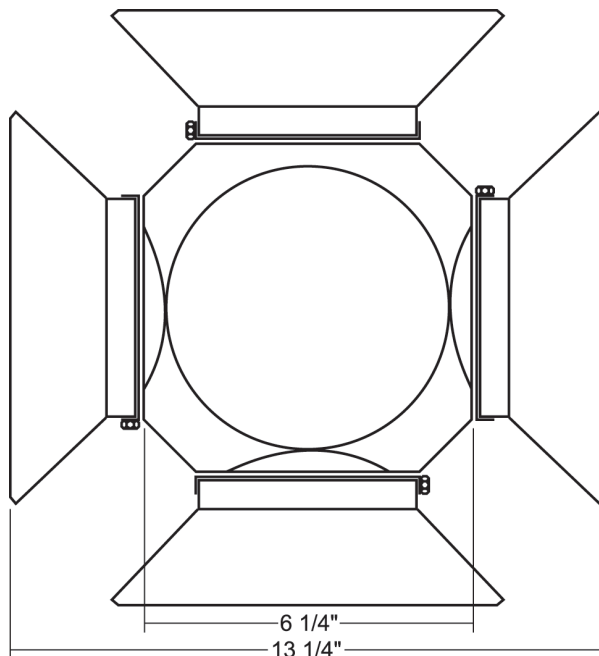
The C4M is a compact, theatrical style unit designed for Halogen Performance Plus PAR30 lamps. Available in 50, 60 and 75-watts, these lamps come in a variety of beam spreads ranging from 9 to 35 degrees.

The C4M is ideal for lighting in galleries, museums and retail applications. Equipped with 4-way locking barndoors to control light spill and an internal accessory holder that accepts louvers and filters. Available in standard black, white and silver finishes. Custom colors are available by request and at an additional charge.

Features:

- Theatrical design
- Locking barndoors
- Accepts 50, 60 and 75-watt PAR30 lamps
- Numerous mounting options and accessories
- Weight: 2.7 lbs

Manufactured in the USA - IBEW



Last updated 04/09/2014.



Mounting Options

AD1

Track adapter for commercial grade 1 & 2 circuit track. 120V. For use with Lightweight fixtures.

T1

Track adapter for commercial grade 1 & 2 circuit track. 120V. For use with larger, heavier fixtures.

TA2 / HTA2 (277)

Track adapter for G-Series specification grade 2-circuit track. 120V or 277V.

TA3

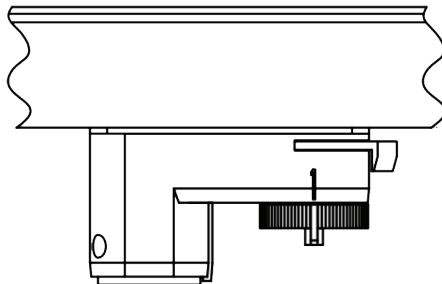
Track adapter for G-Series specification grade 3-circuit track. 120V.

TA1 / TE2 (2 circuit)

Track adapter for E-Series specification grade track. 1 or 2 circuit. 120V.

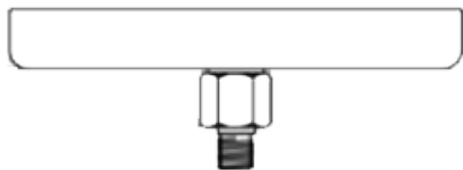
ST2

2 circuit track adapter for Data Bus. Specification grade track. 120V.



CM4

Canopy mount.



US1

6 5/8" x 1 1/2" Unistrut adapter.



TB4

6 1/4" Portable wall mount/table base floor, wall or table use.



TB8

8" x 8" Portable table base for floor or table use.

MC

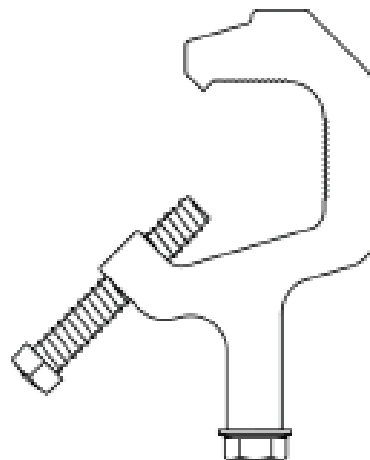
Light duty pipe clamp for small fixtures. For pipes up to 1 5/16" O.D.

MN

Medium duty pipe clamp for small to large fixtures. For pipes up to 2" O.D.

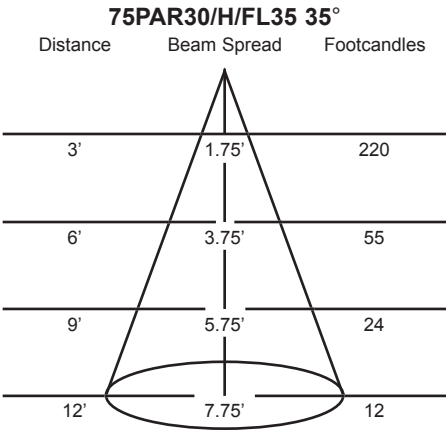
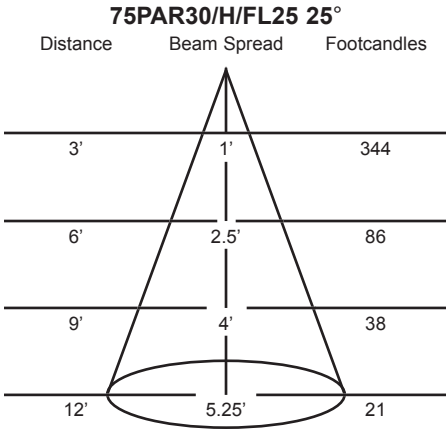
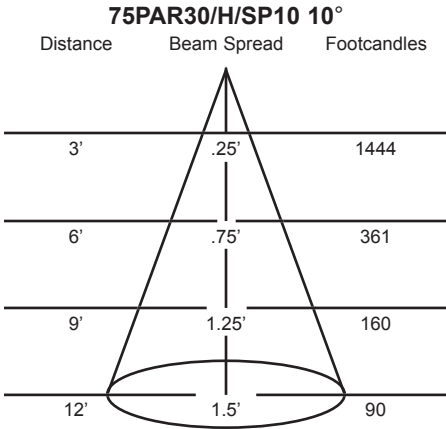
PC9M

Heavy duty pipe clamp for large, heavy fixtures. For pipes up to 2" O.D.



Specify:	C4M	-	-	-
	MODEL NUMBER	FINISH	MOUNTING (optional)	ACCESSORIES (optional)
Example:	C4m	-B	-T1	-LV17

Photometric Data

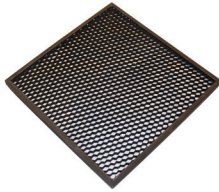


Lamp Types

- 50PAR30/HIR/SP9** 50W; 3000Hrs; 9° Beam; 13000 CBCP; 2810°K Color Temp
- 50PAR30/HIR/FL25** 50W; 3000Hrs; 25° Beam; 2700 CBCP; 2810°K Color Temp
- 50PAR30/HIR/FL35** 50W; 3000Hrs; 35° Beam; 1500 CBCP; 2810°K Color Temp
- 60PAR30/H/SP10** 60W; 3000Hrs; 10° Beam; 10000 CBCP; 2800°K Color Temp
- 60PAR30/H/FL25** 60W; 3000Hrs; 25° Beam; 2400 CBCP; 2800°K Color Temp
- 60PAR30/H/FL35** 60W; 3000Hrs; 35° Beam; 1700 CBCP; 2800°K Color Temp
- 75PAR30/H/SP10** 75W; 3000Hrs; 10° Beam; 13000 CBCP; 2830°K Color Temp
- 75PAR30/H/FL25** 75W; 3000Hrs; 25° Beam; 3100 CBCP; 2830°K Color Temp
- 75PAR30/H/FL35** 75W; 3000Hrs; 35° Beam; 2000 CBCP; 2830°K Color Temp

Accessories

- | | |
|----------|-----------------------|
| LV17 | Louver |
| CF17 | Color Frame |
| GF17 | Glass Color Filter |
| DF17 | Dichroic Color Filter |
| GF17-600 | 5°x50° Linear Lens |
| GF17-601 | Beam Softener |
| GF17-673 | 50°x50° Spread Lens |
| GF17-703 | UV Blocking Filter |
| CC18 | Coiled Cord |
| SC-24 | Safety Cable |
| IP | Integral Dimmer |



Extension Wands

- | | |
|-------|---------------|
| SP 12 | 12" Stem |
| SP 18 | 18" Stem |
| SP 24 | 24" Stem |
| SP X | Custom Length |

Finish

- | | |
|----|--------------|
| B | Black |
| W | White |
| S | Silver |
| CC | Custom Color |