



CELESTE Recessed

SPECIFICATION SHEET



5 Holt Drive
Stony Point, NY 10980
845-947-3034
tslight.com

The CELESTE Recessed is a customizable high-output recessed luminaire. Emphasizing deep dimming and efficacy, it features multiple control options and pairs seamlessly with the Celeste pendant. The single point source LED array has multiple beam angles available, and can be customized with accessories.

The CELESTE Recessed is a fully functional DMX/RDM fixture, with all the advantages and conveniences experienced industry professionals are accustomed to. With DMX/RDM control, you can individually address and dim the fixtures. Dimming is completely flicker-free and safe for video and film applications.

Manufactured in the USA - IBEW

PRODUCT LISTED
BY A NATIONALLY
RECOGNIZED
TESTING
LABORATORY



Construction

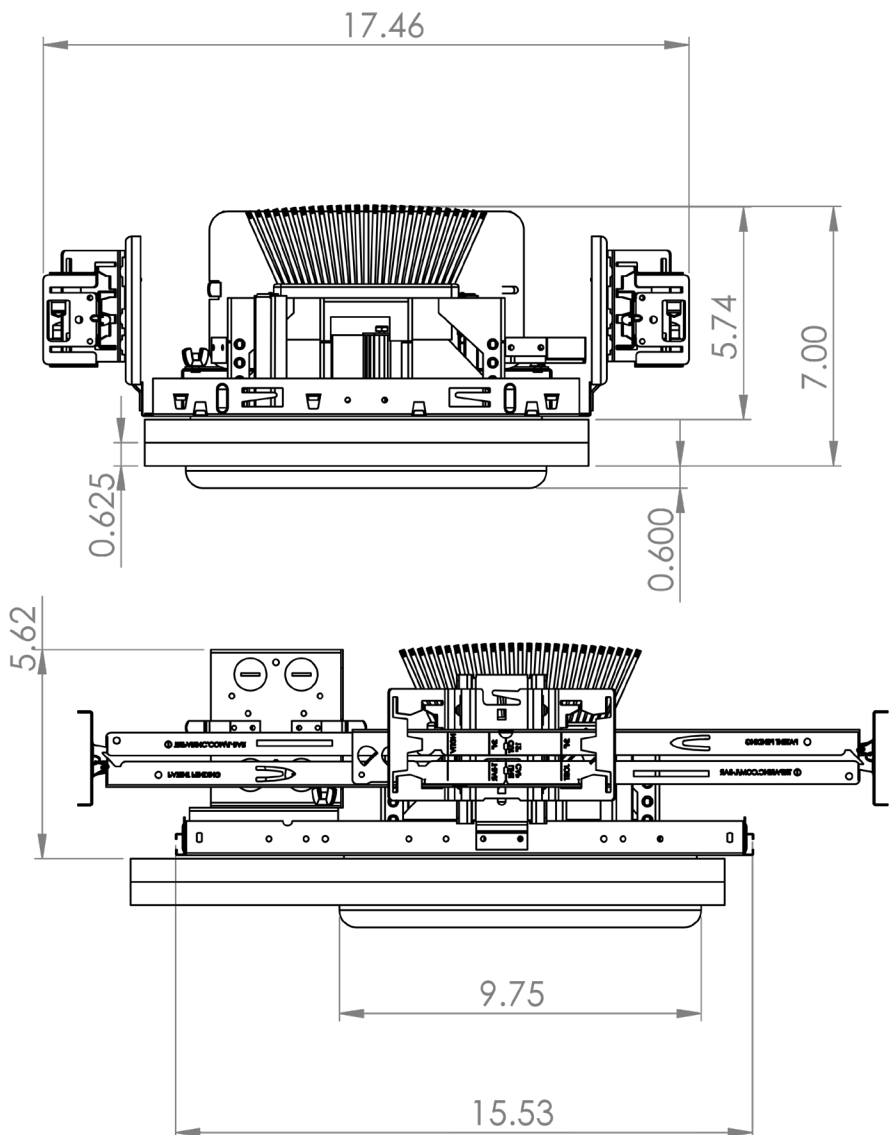
- Galvanized Steel, aluminum heat sink, molded plastic trim ring
- Internal accessory holder allows for up to (2) accessories.
- Recessed New Construction

Electrical

- Integral electronic driver
- Meets FCC 47 CFR Part 15/18 Requirements
- 81.5 Watts Max
- Power Input: Universal (120-277V)

Warranty

- 5-year limited warranty



NOTE: 8" Inch hole size for ceiling cut-out

LED

- Dims to 0.01%
- 2700K, 3000K, 3500K, 4000K, 5000K
- CRI: 80 Standard or 92 Optional)
- Beam Angle: 12°, 19°, 33° 40°, 48°, 55°, 64°
- Cree XLamp LED array
- No UV or IR

Maximum ambient temperature: 40°C

*Specification sheets are subject to change without notice.

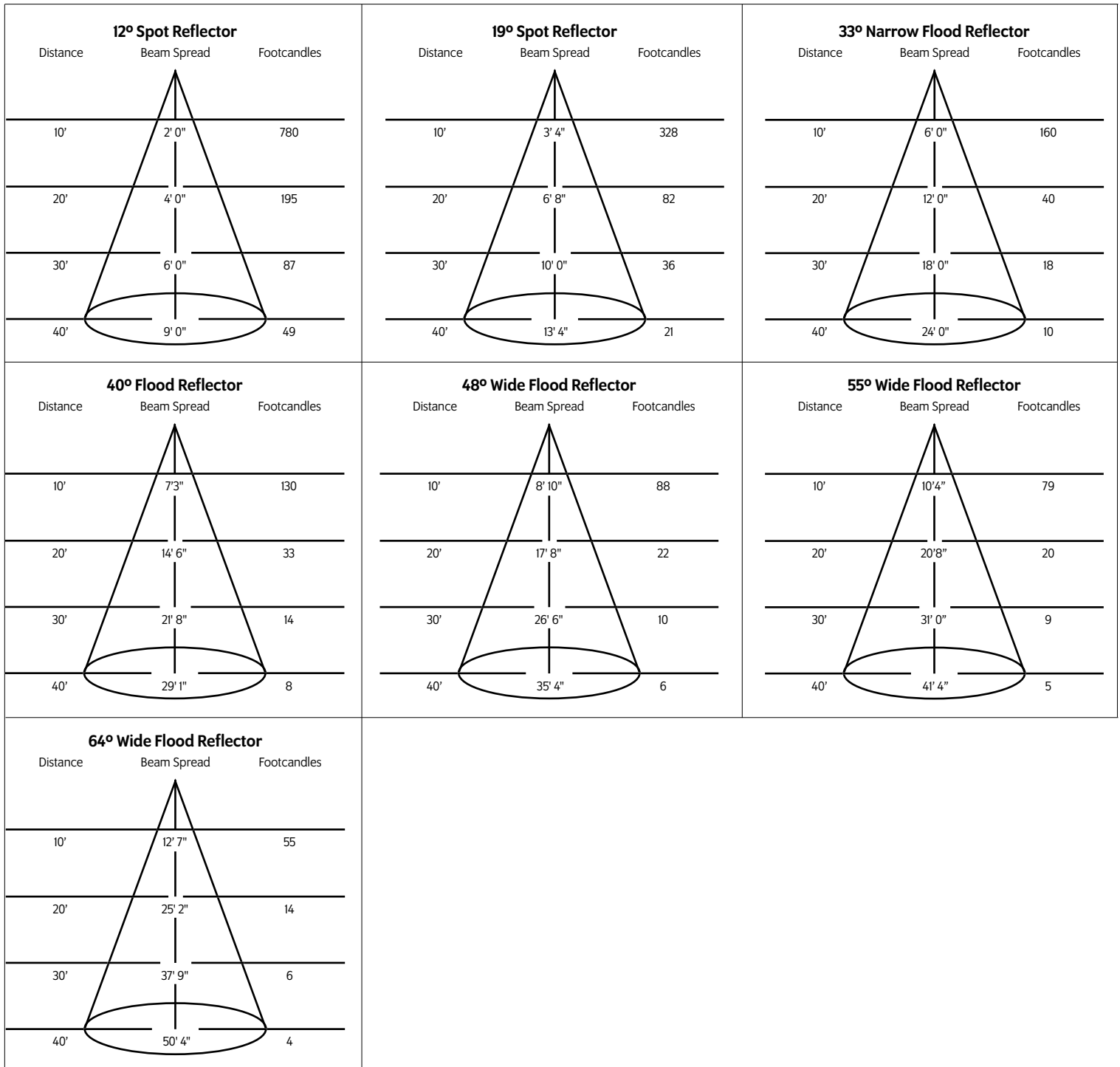
Module	Total Wattage	Lumen Package	Efficacy (Lm/W)	CRI
80	81.5	9800	120	80
80	68	8500	125	80
80	54	7300	135	80

Basic DMX/RDM Features

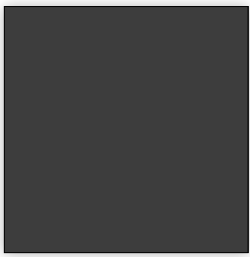
- Addressing done at factory before delivery or in-field with an RDM Controller.
- Logarithmic dimming curve.
- Failure mode - Fail ON

Photometric Data

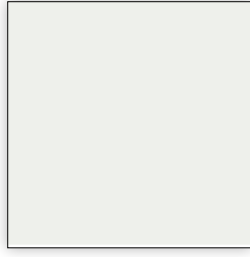
NOTE: Applies only to the CELESTE 81.5 Watt Unit.



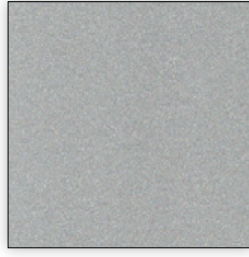
Custom Colors



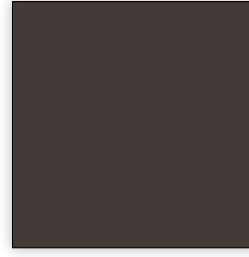
Black



White



Silver



Bronze



Silver Vein

HOW TO SPECIFY:

MODEL	WATTAGE	LED MODULE
CELR	81 = 81-Watts 68 = 68-Watts 54 = 54-Watts	80 = 80 CRI 92 = 92 CRI
COLOR TEMPERATURE	FINISH	OPTICS
27 = 2700K 30 = 3000K 35 = 3500K 40 = 4000K 50 = 5000K	B = Black W = White S = Silver Z = Bronze V = Silver Vein C = Custom Color	10 = 10° 12 = 12° 19 = 19° 33 = 33° 40 = 40° 48 = 48° 55 = 55° 64 = 64°
MOUNTING	DIMMING †	CONTROL / DMX CONNECTOR
NC = New Construction	TE = Trailing Edge LE = Leading Edge RACK = Theatre (81W Only) 010 = 0-10V ND = Non-Dimming D/O = 0-10V Dim to Off DXB = DMX / RDM Basic ECO = Lutron Ecosystem	T = Terminal Block (Fixture Top) * E = RJ45 Ethernet (Ethercon) (Fixture Top)* * DXB Only
ACCESSORIES		
L = Louver S = Integral Surge Protector, 10kA L-G, 10kA N-G, 20kA L-N		

EXAMPLE: CELR-81-92-35-W-33-NC-DXB-E

MODEL	WATTAGE	LED MODULE	COLOR TEMPERATURE	FINISH	OPTICS	MOUNTING	DIMMING	DMX	ACCESSORIES
CELR									

† For notes on dimming, please [click here](#).