

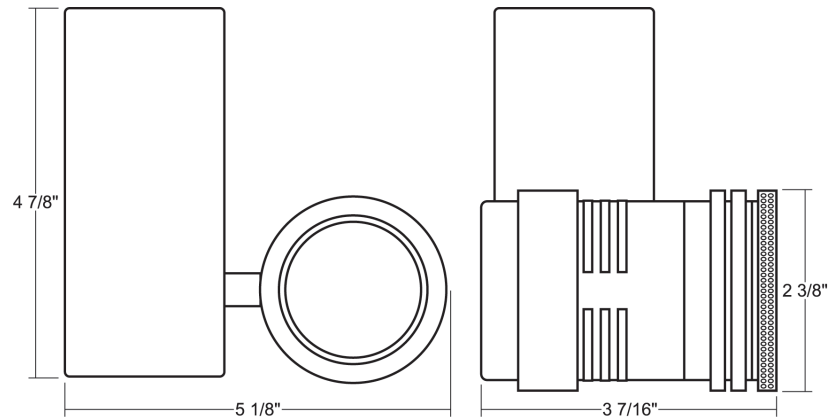


The clean and sleek style of the C16V makes this fixture ideal for any interior space such as a museum, gallery, or anywhere a visually interesting fixture is needed. This compact unit accepts energy efficient MR16's in a wide variety of beam spreads.

The C16V is constructed of lightweight aluminum and has an adjustable self-locking head. Comes in standard black, white and silver finishes. Custom colors are available by request and at an additional charge.

FEATURES

- Designed for 2-pin MR16 lamps and LEDs
- 120, 220 and 277-volt available
- Integral 12-volt dimmable transformer.
- Use with electronic low voltage (ELV) dimmer only (AKA Trailing Edge and Reverse Phase).
- Numerous mounting options and accessories
- Weight: 1 lb



MODEL NUMBER	FINISH	MOUNTING	ACCESSORIES
C16V	B Black W White S Silver CC Custom Color	AD1 Track Adapter. 1 Circuit. 120V. T1 Track Adapter. E-Series. 1 or 2 Circuit. 120V. TA1 Track Adapter. G-Series. 2 Circuit. 120V. TA2 Track Adapter. G-Series. 2 Circuit. 120V. HTA2 Track Adapter. G-Series. 2 Circuit. 277V. TA3 Track Adapter. G-Series. 3 Circuit. 120V. CM4 Canopy Mount. US1 6 5/8" x 1 1/2" Unistrut Adapter. TB4 6 1/4" Portable Wall Mount/Table Base Floor. TB3 Portable Table Base / Wall Plate. MC Light Duty Pipe Clamp. For pipes up to 15/16" O.D. MN Medium Duty Pipe Clamp. For pipes up to 2" O.D.	LV2 Louver GF2 Glass Color Filter DF2 Dichroic Color Filter GF2-600 5°x50° Linear Lens GF2-601 Beam Softener GF2-673 50°x50° Spread Lens GF2-702 UV Blocking Filter CC18 Coiled Cord IP Integral Dimmer

EXAMPLE: C16V - B - TA2 - LV6

MODEL NUMBER	FINISH	MOUNTING	ACCESSORIES
C16V			