

Nolita

MOTORIZED TRACK LIGHT



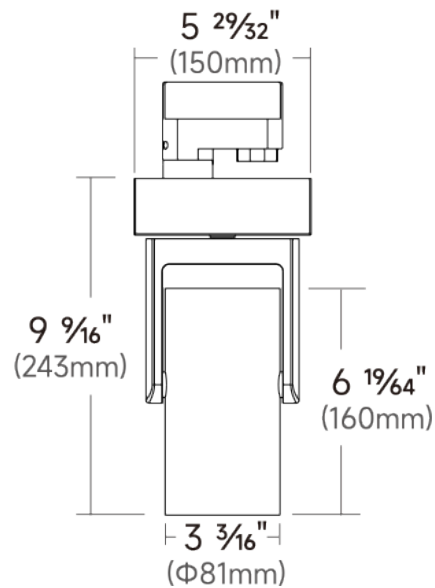
5 Holt Drive
 Stony Point, NY 10980
 845-947-3034
 www.tslight.com

Nolita is a motorized remote controlled track light that is driven by your smart device via the CASAMBI app. Nolita fixtures can be controlled in groups or individually. The Nolita fixture is ideal for ballrooms, museums, restaurants and shops where a quick re-focus of track heads is required.

Nolita can be fitted to most existing track beds. Please consult TSQ and let us know the track system you are currently using.

Features

- 30-watts, 100-120 volts
- 1580 Lumens at 4000K
- CASAMBI wireless control
- CASAMBI dimming to 0%
- 360° horizontal - 140° vertical adjustment
- Zoom lens system: 18° - 61°
- CCT tunable from 2700K - 6500K
- 90+ CRI
- 3 lbs.



Mounting Options

AD1 Track Adapter for commercial grade 1 & 2 circuit track. 120V. For use with lightweight fixtures.

TA2 Track adapter for G-Series specification grade 2-circuit track. 120V or 277V.

TA3 Track adapter for G-Series specification grade 3-circuit track. 120V.

DT2 2-circuit track adapter for SpecTrack databus. 120V.

GA70 Monopoint for 2-Circuit Track

L020 Monopoint for 1-Circuit Track

Ordering Matrix

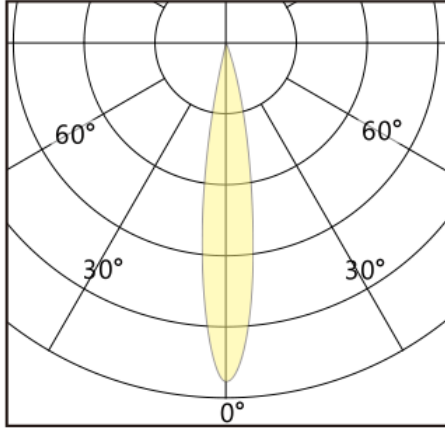
Model	Color	Mounting
TS03090	B = Black	See Mounting Options

Example: TS03090 - B - AD1

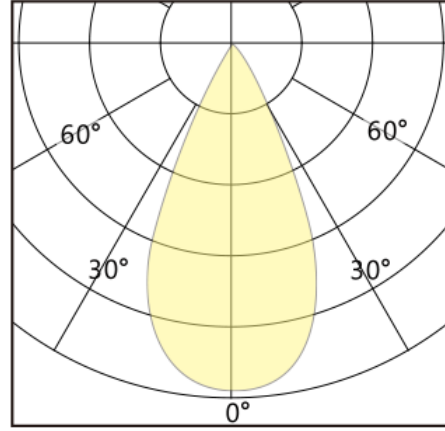
TS03090 - _____ - _____

Photometric Data

CCT (K)	CRI	LOAD (W)	BEAM OPTIC	LUMENS (lm)	EFFICACY (lm/w)	MAX CANDELA (cd)
4000K SETTING	90	30W	18°	1360	46	10623
			50°	1580	54	2433



D(ft)	h(ft)	E(fc)
0.81	3.28	982.9
1.63	6.56	245.7
2.45	9.84	109.2
3.27	13.12	61.43
4.08	16.4	39.31



D(ft)	h(ft)	E(fc)
2.99	3.28	226.2
5.98	6.56	56.55
8.97	9.84	25.13
11.96	13.12	14.14
14.95	16.4	9.04