

CTH30

3000 LUMEN FULL COLOR TUNABLE WHITE

MANUFACTURED IN THE UNITED STATES - IBEW



PRODUCT LISTED
BY A NATIONALLY
RECOGNIZED
TESTING
LABORATORY



The CTH Series features tunable color and a high CRI output. They can be controlled via DMX/RDM or even 010V controls. They feature tunable white from 1800K-8000K with a CRI of 90+ across the entire temperature range. Rich blues, ambers, reds, violets and greens can be added in gradients or can completely saturate the output of the light. Interchangeable reflectors allow beam angles between 10° and 60°. This fixture is perfect for retail applications such as car dealerships and clothing stores but is equally well suited for illuminating artwork or using in an archtainment setting. The variable white feature also makes it a good option for healthcare facilities.

FEATURES

- 10°, 20°, 40° or 60° field-changeable reflectors
- Weight: 4 lbs.
- 4 DMX Channels

COLOR TUNING

- Tunable Range: 1650 - 8000K
- 90+ CRI
- Dimmable from 100 - 1% at constant CCT
- Color Gamut Control: gradients of saturated colors from 1 - 100% can be added to color points
- On board thermal and optical feedback for color consistency and <2 MacAdam ellipse over 50,000 hour life
- Compatible with 0 - 10V wired controls
- SceneSet enables up to five scenes to be preprogrammed and recalled using a 0 - 10V recommended dimmer.

POWER

- Voltage: 120-277V, 50/60 Hertz
- Power Consumption: 50W for CTH30
- Maximum Operating Temperature: 104°F (40°C) ambient

FINISH

- | | |
|----|--------------|
| B | Black |
| W | White |
| S | Silver |
| CC | Custom Color |

LIGHT BLOCKING SCREENS

Stainless steel screens used singly or in combinations to block transmitted light without changing color temperature.

- | | |
|---------|--------------------|
| LBS7-20 | 20% Light Blocking |
| LBS7-30 | 30% Light Blocking |
| LBS7-40 | 40% Light Blocking |

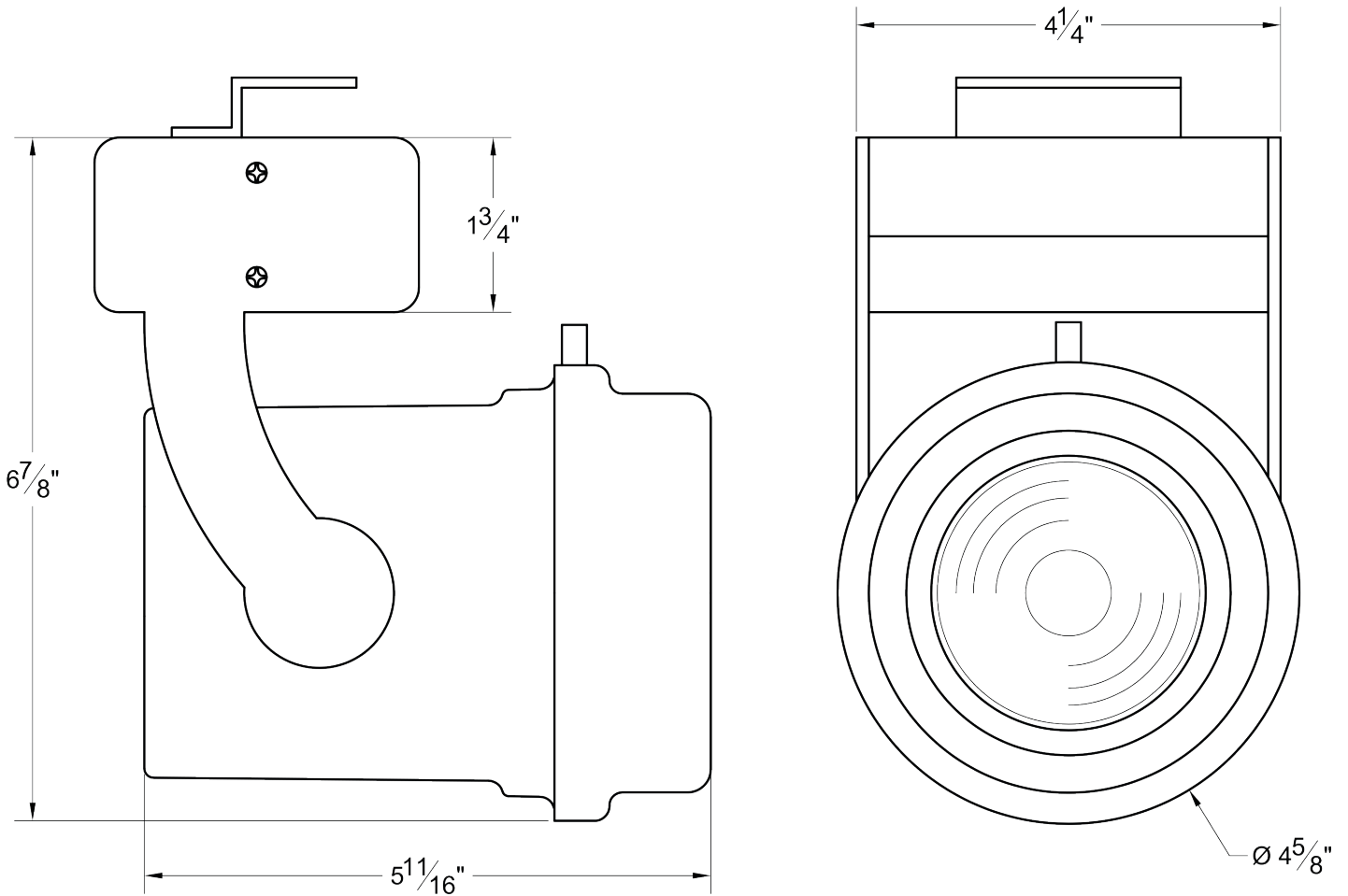
CTH30

3000 LUMEN FULL COLOR TUNABLE WHITE

MANUFACTURED IN THE UNITED STATES - IBEW



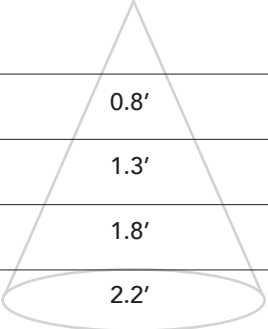
PRODUCT LISTED
BY A NATIONALLY
RECOGNIZED
TESTING
LABORATORY



PHOTOMETRIC DATA

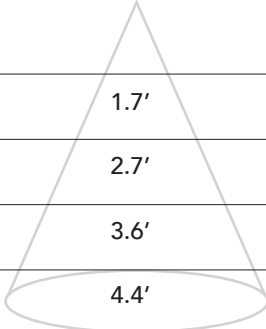
10° Spot Reflector

Distance	Beam Spread	Footcandles
5'	0.8'	328
10'	1.3'	82
15'	1.8'	36
20'	2.2'	21



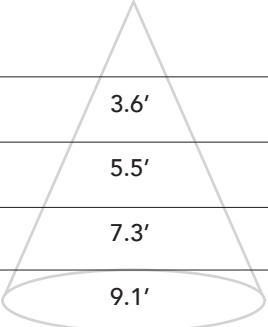
20° Spot Reflector

Distance	Beam Spread	Footcandles
5'	1.7'	280
10'	2.7'	70
15'	3.6'	31
20'	4.4'	18



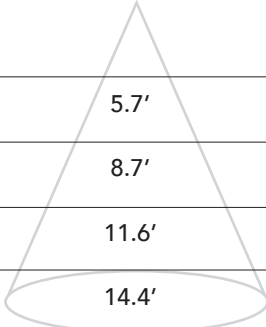
40° Medium Flood Reflector

Distance	Beam Spread	Footcandles
5'	3.6'	180
10'	5.5'	45
15'	7.3'	20
20'	9.1'	5



60° Flood Reflector

Distance	Beam Spread	Footcandles
5'	5.7'	100
10'	8.7'	25
15'	11.6'	11
20'	14.4'	6



CTH30

3000 LUMEN FULL COLOR TUNABLE WHITE

MANUFACTURED IN THE UNITED STATES - IBEW



MOUNTING OPTIONS

DT2 2-circuit track adapter for SpecTrack databus.
120V.

HDT2 Track adapter for SpecTrack 2-Circuit data track.
277V.

GAC Track adapter for 120V global pulse track.

CM4* Canopy mount (Bluetooth, 010V dimming only)

MC Light duty pipe clamp for small fixtures. For pipes
up to 1 5/16" O.D.

MN Medium duty pipe clamp for small to large
fixtures. For pipes up to 2" O.D.

PC9M Heavy duty pipe clamp for large, heavy fixtures.
For pipes up to 2" O.D.

DXTC Canopy mount with terminal block for DMX.

* Contact factory for wiring details.

EXTENSION WANDS

SP 12	12" Stem
SP 18	18" Stem
SP 24	24" Stem
SP X	Custom Length

ACCESSORIES

LV7	Louwer
XL7	Cross Baffle Louwer
BD7A	Barndoor
HD7	Hood
XH8	Cross Baffle Hood
SH7	Sparkle Hood
CF8	Color Frame
GF8	Glass Color Filter
DF8	Dichroic Color Filter
GF8-600	5° x 50° Linear Lens
GF8-601	Beam Softener
GF8-673	50° x 50° Spread Lens
GF8-702	UV Blocking Filter
LBS8	Light Blocking Screens
CC18	Coiled Cord
SC-24	Safety Cable
IP	Integral Dimmer
WL	Wrench Locking

NOTES ON DIMMING

Visit tslight.com/resources or scan the QR Code.





SPECIFY:

MODEL	ARRAY	FINISH
CTH	30 = 3000	B = Black W = White S = Silver CC = Custom Color
REFLECTOR	MOUNTING	DIMMING
10 = 10° Degree 20 = 20° Degree 40 = 40° Degree 60 = 60° Degree	See Mounting Options for Ordering Codes	DX = DMX/RDM 010 = 010V Dimming

ORDERING INFORMATION

PROJECT:	
LOCATION:	
QUANTITY:	
CONTACT:	
PHONE:	
EMAIL:	

EXAMPLE: CTH30-B-20-DT2-010

MODEL	FINISH	REFLECTOR	MOUNTING	DIMMING
CTH30				