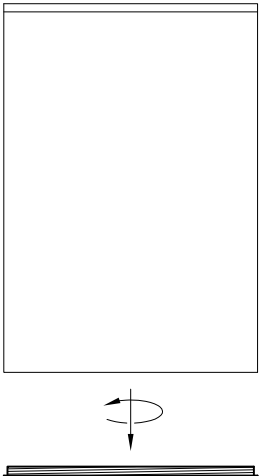
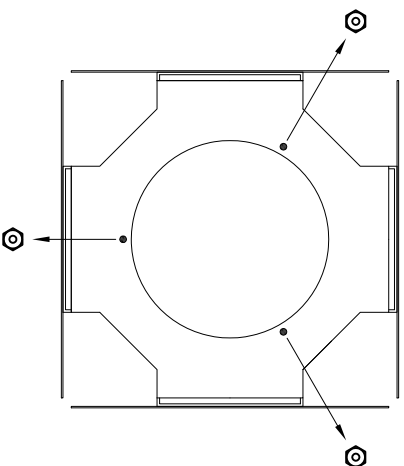


## **BD20 BARN DOOR INSTALLATION INSTRUCTIONS FOR CYLINDER TYPE FIXTURES**

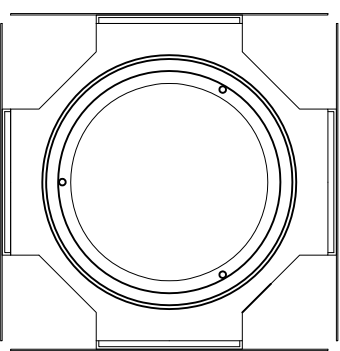
**STEP 1:**  
Unscrew and remove the front ring from the fixture housing.



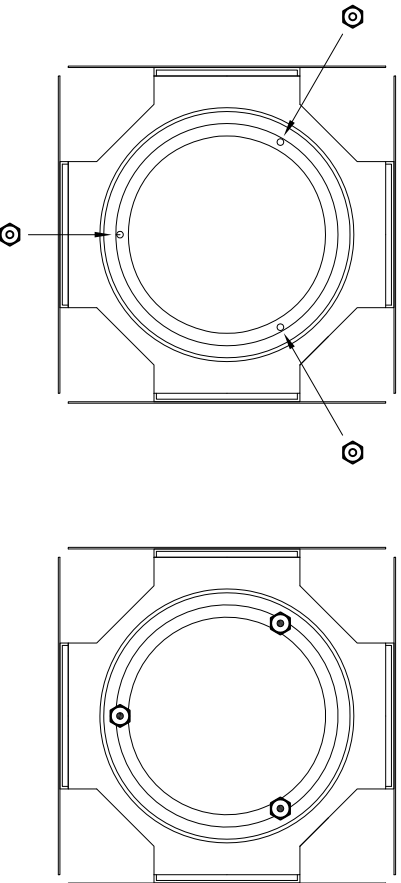
**STEP 2:**  
Remove the three nuts from the threaded studs on the rear of the Barn Door.



**STEP 3:**  
Place the ring over the threaded studs. Make certain that the threads of the ring are facing up, away from the Barn Door.



**STEP 4:**  
Replace the three nuts that were removed in Step 2. Make certain that the nuts are snug.



**STEP 5:**  
Reattach the front ring (with Barn Door attached) to the fixture front. Make certain that the ring is snug. Rotate Barn Door *clockwise* to adjust its orientation as this will prevent the front ring from unscrewing.

