



CELESTE

54 - 81.5 W LED DIM TO DARK



5 Holt Drive,
Stony Point, NY 10980
845-947-3034
www.tslight.com

The CELESTE is a high-output pendant downlight that is capable of dimming to 0.01%. Designed for theatres, churches, and arenas, it features a wide range of dimming capabilities ranging from mains dimming to DMX/RDM. The stylish extruded aluminum housing is lightweight and extremely durable. The interchangeable reflectors allow for a wide variety of angles. The single, powerful LED array allows for dramatic lighting effects that are unobtainable with many of the multiple-array high output fixtures on the market.

The CELESTE is a fully functional DMX/RDM fixture, with all the advantages and conveniences experienced industry professionals are accustomed to. With DMX/RDM control, you can individually address and dim the fixtures. Dimming is completely flicker-free and safe for video and film applications.

Manufactured in the USA - IBEW

PRODUCT LISTED
BY A NATIONALLY
RECOGNIZED
TESTING
LABORATORY



Construction

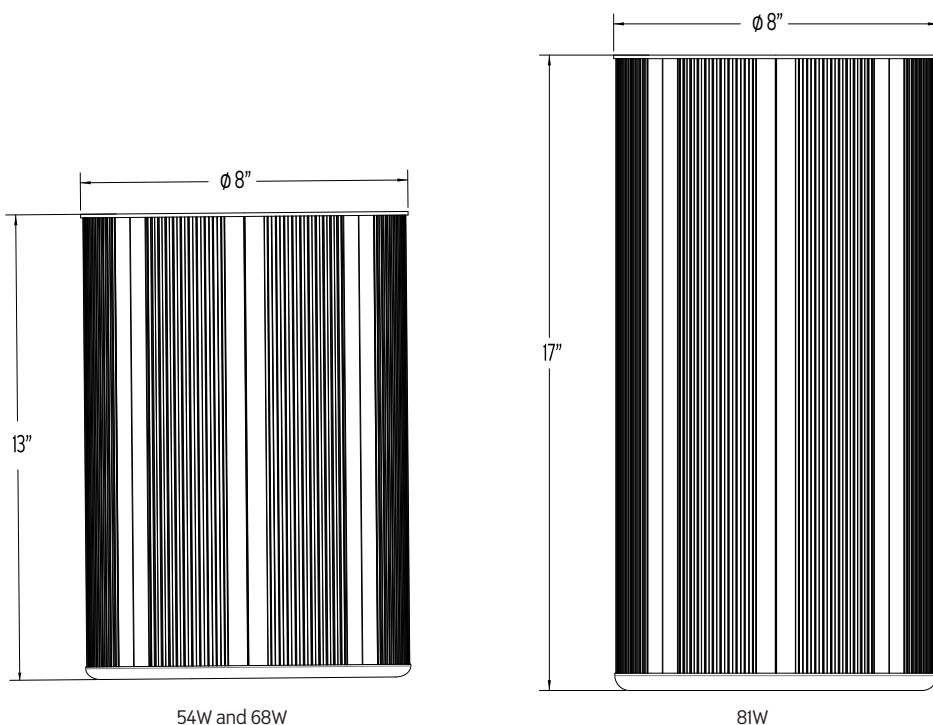
- Extruded aluminium with black, white or silver finish.
- Multiple mounting options
- Internal multiple accessory holder
- Weight: 15 lbs.

Electrical

- Integral electronic driver
- Meets FCC 47 CFR Part 15/18 Requirements
- 81.5 Watts Max
- Power Input: Universal (120-277V)
- Inquire from factory about Emergency Driver option

Warranty

- 5-year limited warranty



LED

- Dims to 0.01%
- 2700K, 3000K, 3500K, 4000K, 5000K
- CRI: 80 Standard or 92 Optional)
- Beam Angle: 12°, 19°, 33° 40°, 48°, 55°, 64°
- Cree XLamp LED array
- No UV or IR

Module	Total Wattage	Lumen Package	Efficacy (Lm/W)	CRI
80	81.5	9800	120	80
80	68	8500	125	80
80	54	7300	135	80

Basic DMX/RDM Features for Non Color Mixing Fixtures

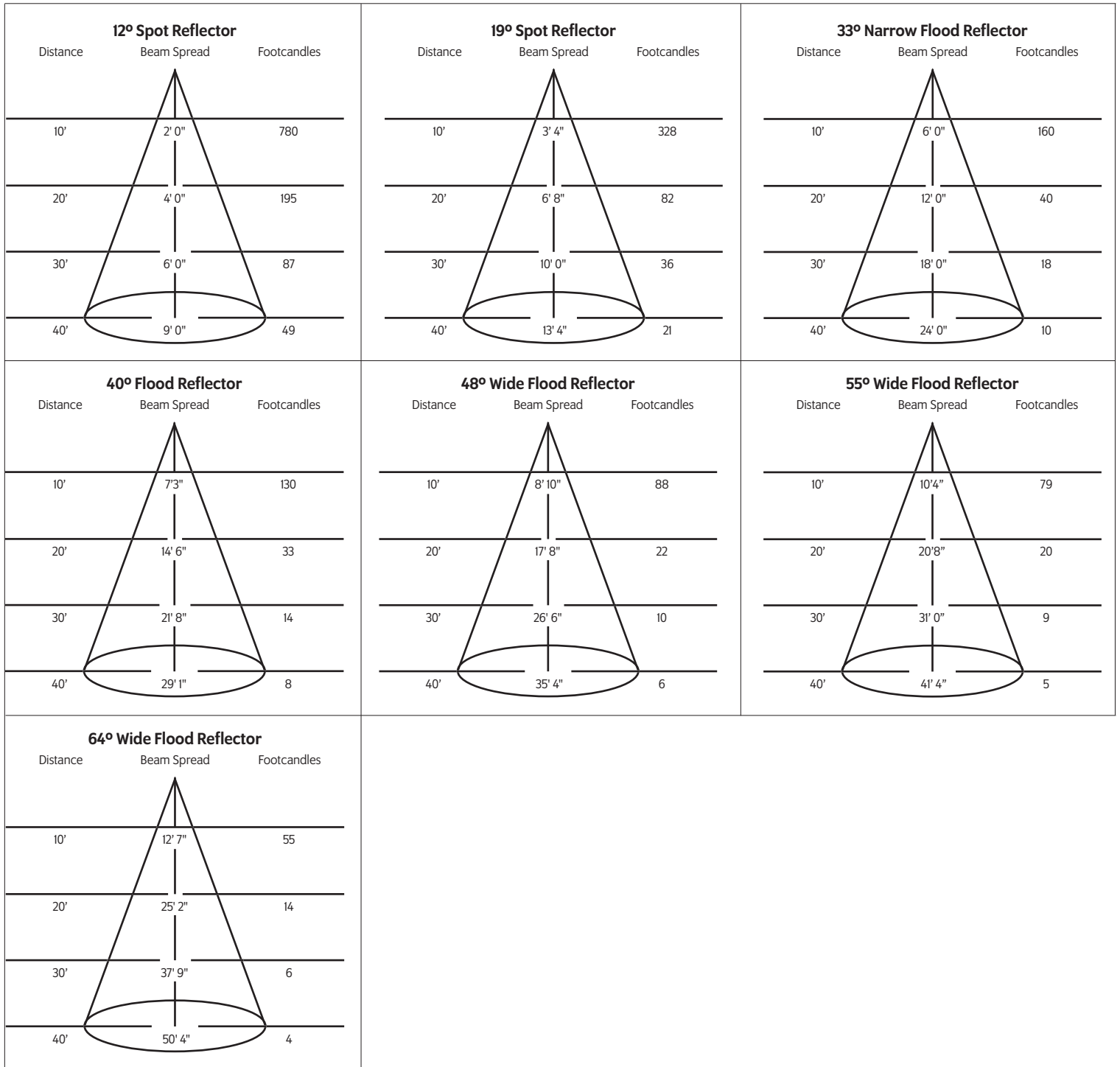
- Available with XLR, RJ45 and terminal block (in canopy or on fixture top) for hardwiring DMX/RDM in/out.
- Addressing done at factory before delivery or in-field with an RDM Controller.
- Logarithmic dimming curve.
- Failure mode - Fail ON

Maximum ambient temperature: 40°C
Maximum operating angle: 45° from vertical

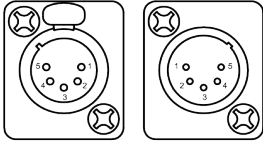
* Specification sheets are subject to change without notice.

Photometric Data

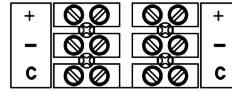
NOTE: Applies only to the CELESTE 81.5 Watt Unit.



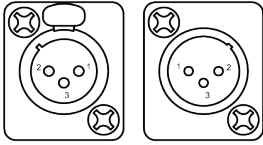
CONNECTOR TYPES:



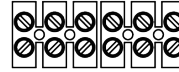
DX5 - 5 PIN XLR (FIXTURE TOP)



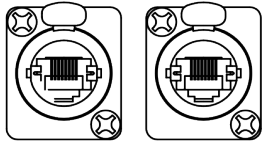
DXT - TERMINAL BLOCK
(FIXTURE TOP)



DX3 - 3 PIN XLR (FIXTURE TOP)

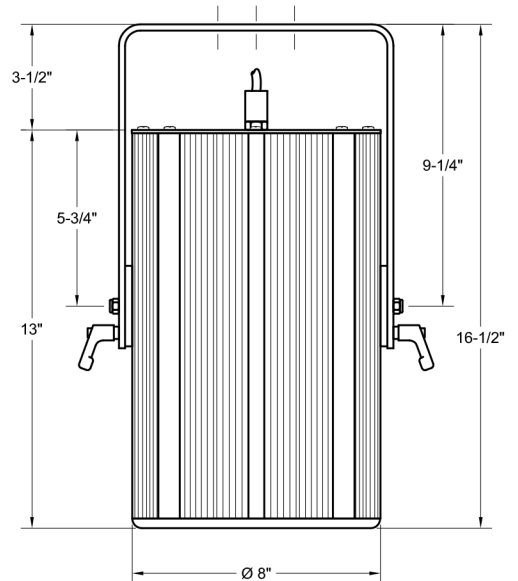
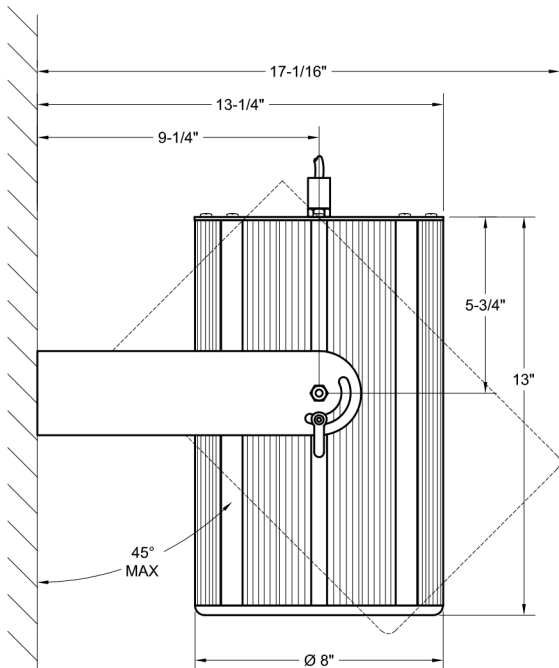
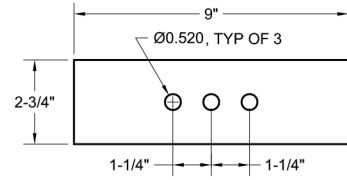
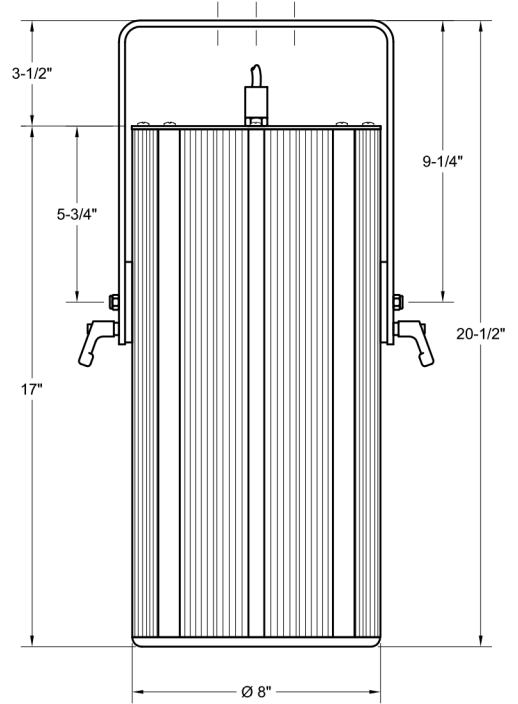
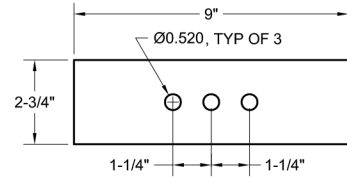
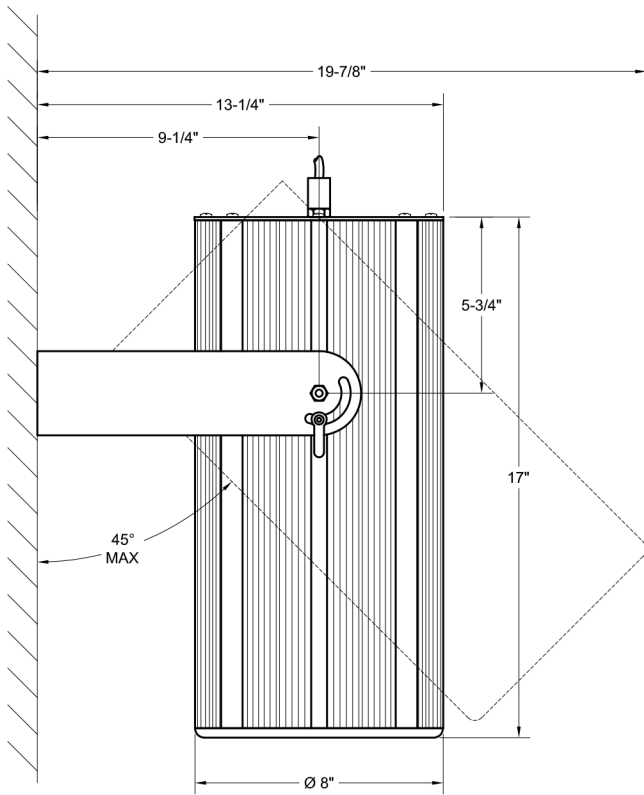


DXTC - TERMINAL BLOCK
(INSIDE CANOPY)

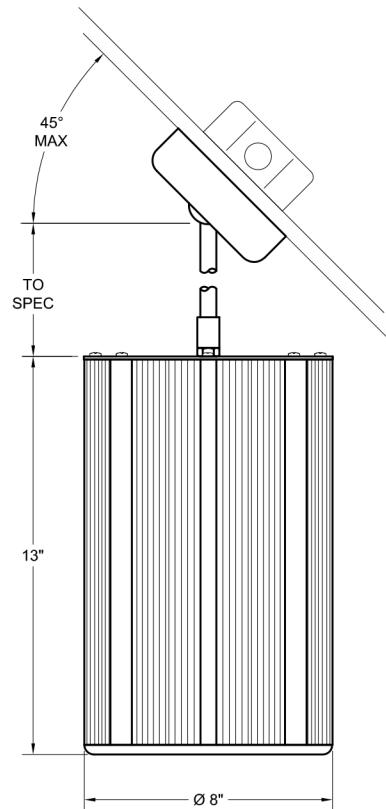
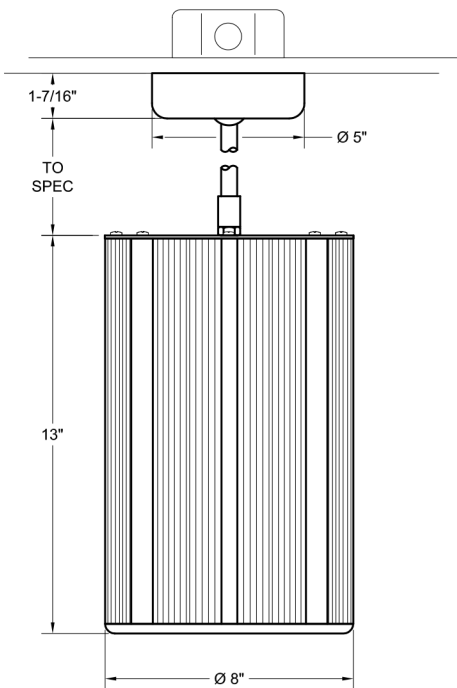
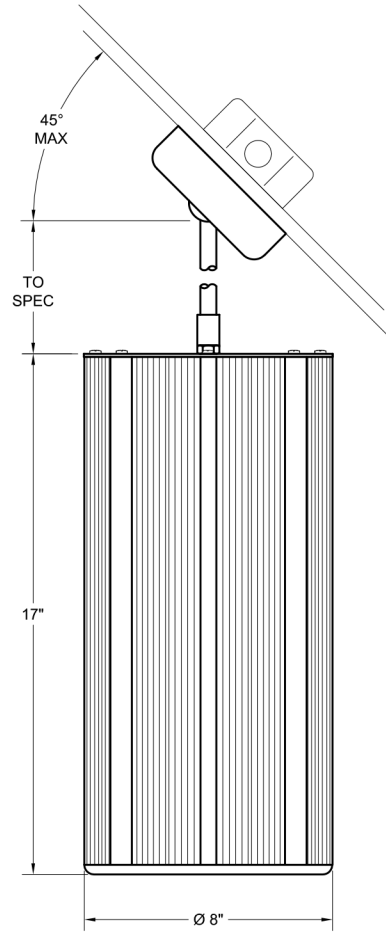
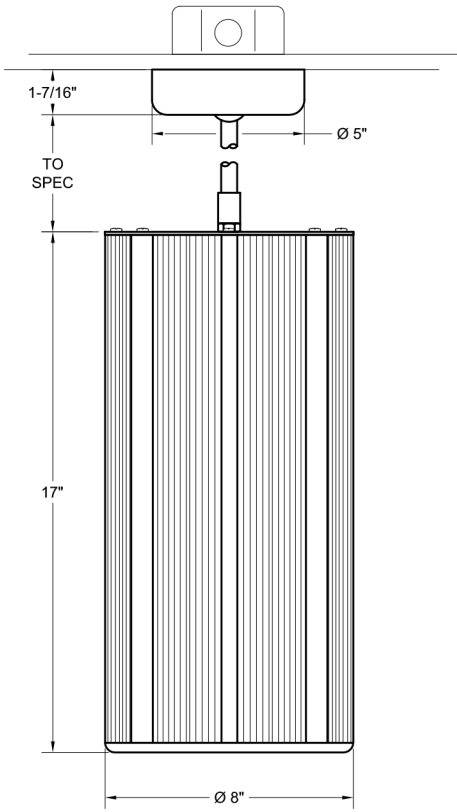


DXE - RJ45 ETHERNET
(ETHERCON) (FIXTURE TOP)

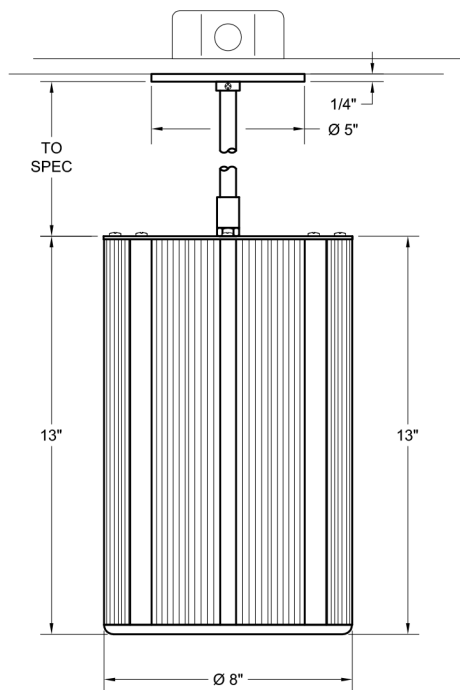
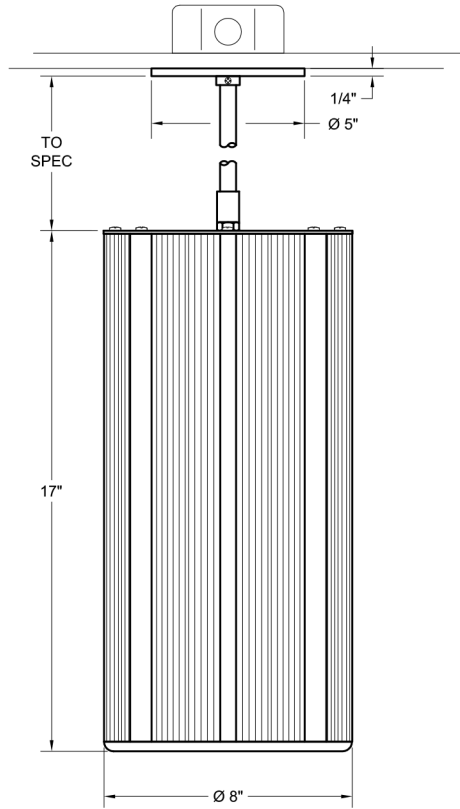
YOKE MOUNT



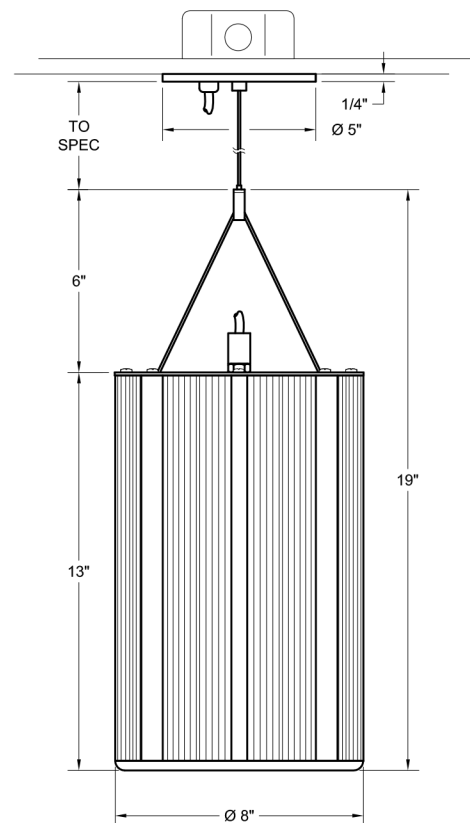
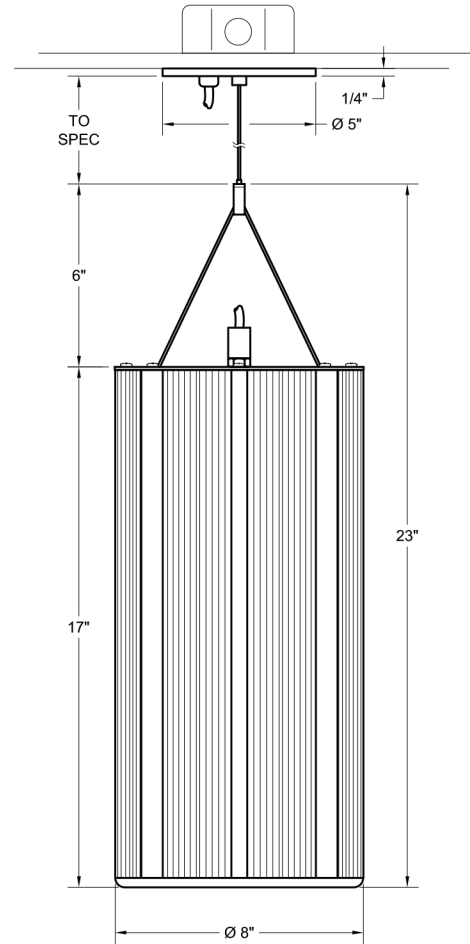
STEM MOUNT, SWIVEL CANOPY



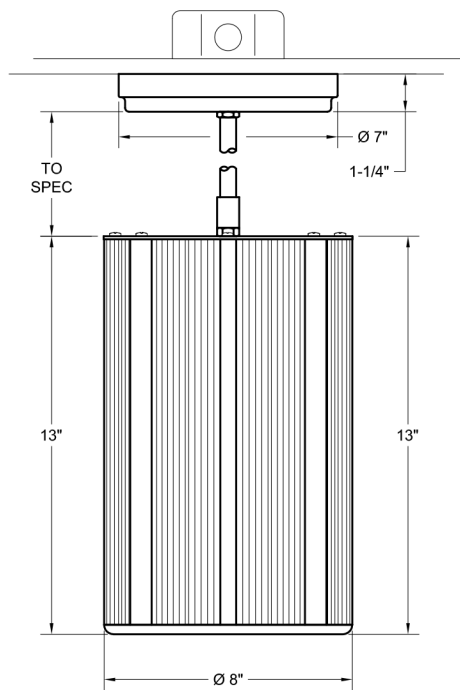
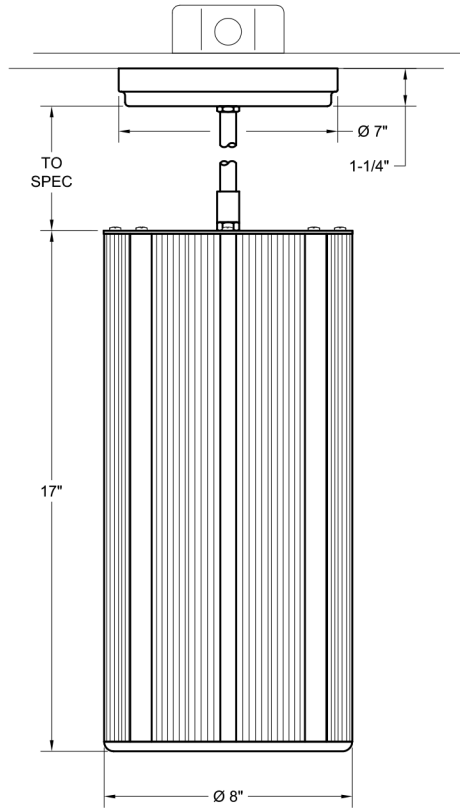
STEM MOUNT, STANDARD CANOPY



CABLE MOUNT, STANDARD CANOPY



STEM MOUNT, CANOPY WITH TERMINAL BLOCK



SURFACE MOUNT

