



PRISM PAR 19 IP

RGBW ZOOM FOCUS



5 Holt Drive
Stony Point, NY 10980
845-947-3034
www.tslight.com

The PRISM PAR 19 IP features nineteen 15-Watt color LEDs and a DMX controlled motorized zoom lens from 8° to 45°.

Dimming on the PRISM PAR 19 IP is from 0-100% making it ideal for theatre use as well. Feel free to use the PRISM PAR 19 IP outdoors as it carries an IP65 rating.

Weight & Dimensions

- **Dimensions:** 12" x 12" x 16"
- **Weight:** 20 lbs.

Control

- **Protocol:** USITT DMX-512
- **DMX Channels:** 5-9
- **Input:** 3-pin XLR Male
- **Output:** 3-pin XLR Female

Power

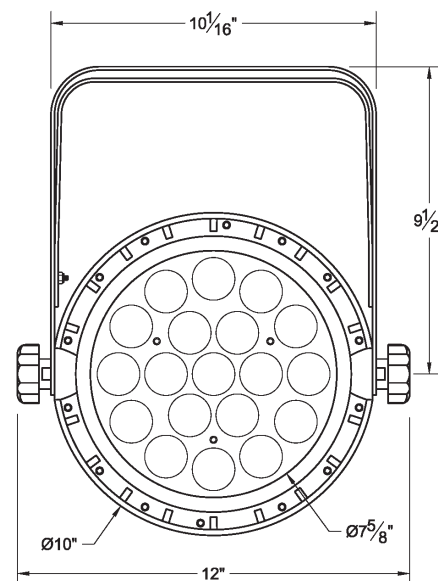
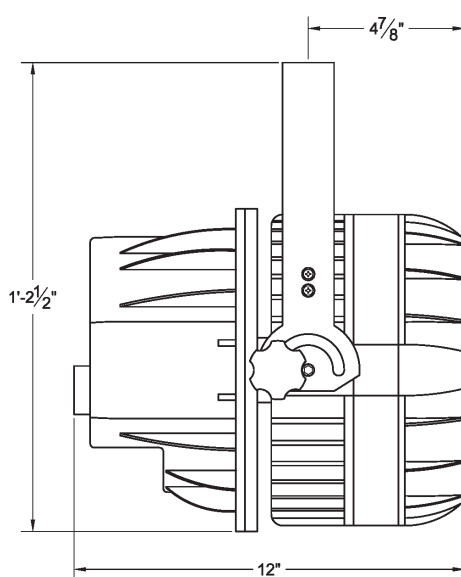
- **Voltage:** 100-250 VAC, 50-60 Hertz
- **Power Consumption:** 300W
- PowerCon In / Out

Optics

- 19x 15W 4-in-1 RGBW
- Zoom Focus 8°-45°

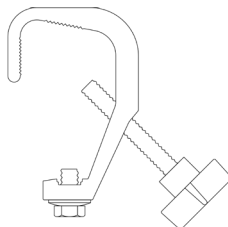
Features

- Comparable to 1000 watt output of PAR64.
- 19 x 15W Quad Color (RGBW) LEDs
- 8° - 45° Motorized Zoom
- Electronic Dimming
- Integrated dual rigging yoke / floor stand
- Power link up to (4) units at 120V.



Mounting Options

PC9C Clamp for pipe up to 2" OD



Accessories



WINT-DMX
DMX transmitter 1000 ft. range
(line of sight)

WINR-DMX
DMX receiver 1000 ft. range
(line of sight)