



# CR100

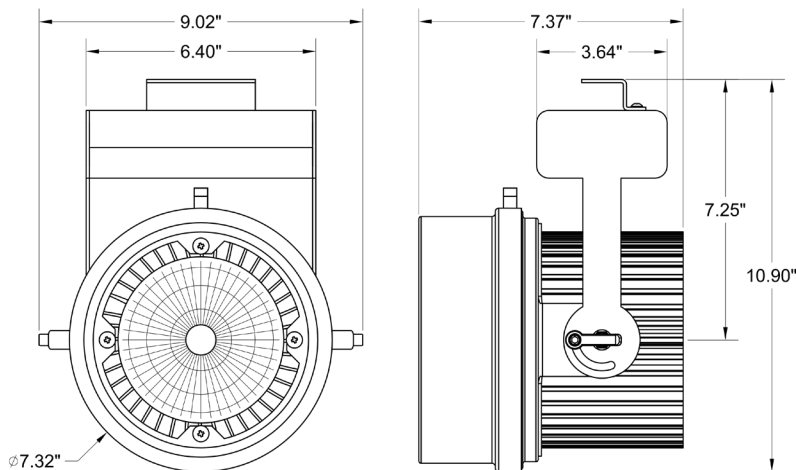
## 80W, 9800 Lumen LED



5 Holt Drive,  
Stony Point, NY 10980  
845-947-3034  
info@tslight.com

The CR100 is a powerful LED fixture designed for medium to long throw applications. This efficient, 80-watt LED fixture can produce a beam that rivals line voltage PAR technology. The CR100 utilizes a Cree XLamp LED array that delivers a high lumen output and uniform color. The available beam angles are 12°, 19°, 33°, 40°, 48°, 55° and 64°.

The CR100 is available in Black, White, and Silver finishes. Custom colors are available upon request.



Manufactured in the USA - IBEW



### Construction

- Steel & aluminum housing with black, white or silver finish
- Internal multiple accessory holder
- Weight: 7 lbs.

### Electrical

- Integral electronic driver
- 100-277V, 50/60Hz
- Meets FCC 47 CFR Part 15/18 Requirements

### Optics

- 12°, 19°, 33°, 40°, 48°, 55°, and 64°  
Field - changeable reflectors

### LED

- 2700K, 3000K, 3500K, 4000K, 5000K
- CRI: 80 Standard or 92 Optional
- Beam Angle: 12°, 19°, 33°, 40°, 48°, 55°, 64°
- Cree XLamp LED array
- No UV or IR

CRI	Total Wattage	Lumen	Efficacy (Lm/W)	CRI
80	80	9800	123	80

\* Total wattage equals LED plus driver. Delivered lumen may vary depending on LED module, color temperature, optics, and accessories.

\* Testing done with 4000K COB.

### Dimming

- Trailing Edge (ELV): 120V
- Leading Edge (Triac): 120V
- 0-10V: 120-277V with surface mounting.
- Dims to 0.1% on 0-10V or 1% minimum on most phase dimmers
- Dims to 0.1% on 0-10V or 1% on most theatrical style rack mount leading edge dimmers.

### Ordering Matrix

Model	LED Module	Color Temp	Finish	Voltage	Optics	Mounting	Dimming*	Accessories
CR100	80 92	27=2700K	B = Black	120	12=12°	See Mounting Options	PH = Phase Dimming (Leading/Trailing Edge)†  010 = 0-10V Dimming	See Accessory Options
		30=3000K	W = White	277	19=19°			
		35=3500K	S = Silver		33=33°			
		40=4000K	CC = Custom		40=40°			
		50=5000K	Color		48=48°			
		57=5700K			55=55°			
				64=64°				

Maximum ambient temperature: 35°C † 120V Only  
Maximum operating angle: 45° from vertical

\* See "Notes on Dimming" on reverse

Example: CR100-9230-B-120-12-DT2-DXE

CR100 - - - - -

\* Specification sheets are subject to change without notice.

## Mounting Options

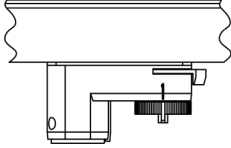
**DT2** 2-Circuit track adapter for SpecTrack Databus. 120V.

**HDT2** Track adapter for SpecTrack 2-Circuit data track. 277V.

**TA2** Track adapter for G-Series specification grade 2-circuit track. 120V.

**HTA2** Track adapter for G-Series specification grade 2-circuit track. 277V.

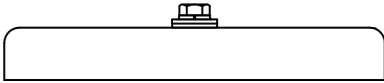
**TA3** Track adapter for G-Series specification grade 3-circuit track. 120V.



**US1** 6 $\frac{5}{8}$ " x 1 $\frac{1}{2}$ " Unistrut Adapter

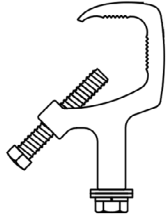


**TB8** 8" x 8" Portable table base for floor and table use

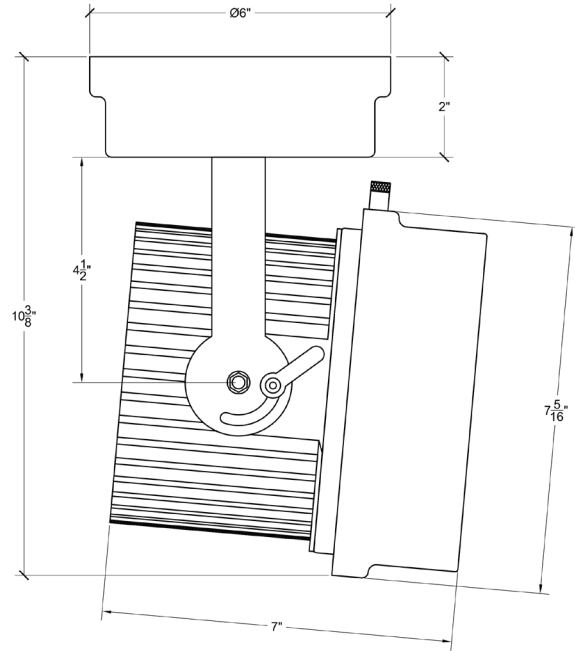


**MN** Medium duty pipe clamp for small to large fixtures. For pipes up to 2" O.D.

**PC9M** Heavy duty pipe clamp for large, heavy fixtures. For pipes up to 2" O.D.



## CM3 Canopy Mount



## Accessories

<b>LV9</b>	Louwer
<b>LV9BD</b>	Louwer (for use with BD9)
<b>BD9</b>	Barndoor
<b>HD9</b>	Hood
<b>SH9</b>	Sparkle Hood
<b>XH9</b>	Cross Baffle Hood
<b>CF9</b>	Color Frame
<b>GF9</b>	Glass Color Filter
<b>DF9</b>	Dichroic Color Filter
<b>GF9-600</b>	5°x50° Linear Lens
<b>GF9-601</b>	Beam Softener
<b>GF9-673</b>	50°x50° Spread Lens
<b>CC18</b>	Coiled Cord
<b>SC-24</b>	Safety Cable

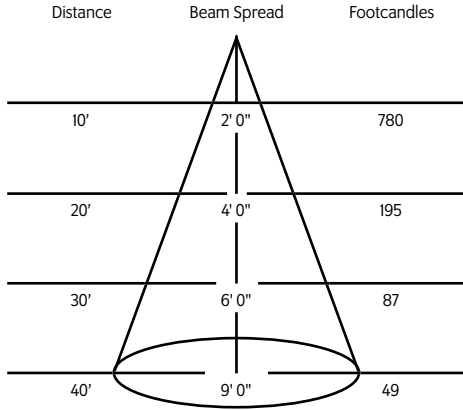
## Extension Wands

<b>SP 12</b>	12" Stem
<b>SP 18</b>	18" Stem
<b>SP 24</b>	24" Stem
<b>SP X</b>	Custom Length

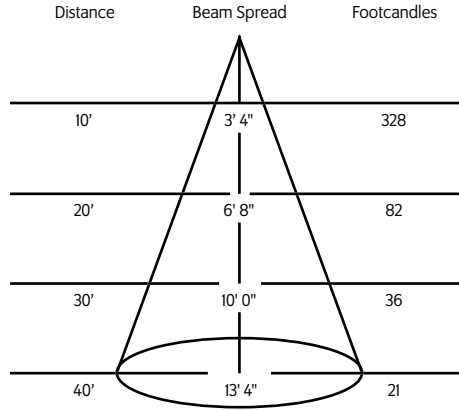
\* For notes on dimming, please [click here](#).

# Photometric Data

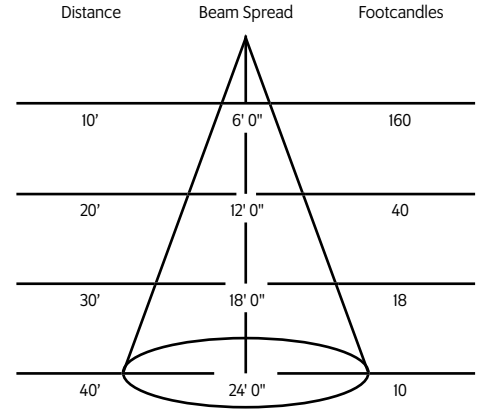
### 12° Spot Reflector



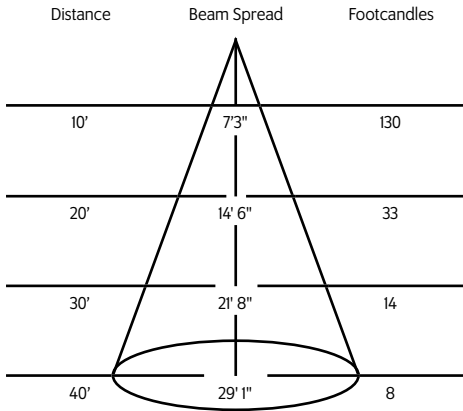
### 19° Spot Reflector



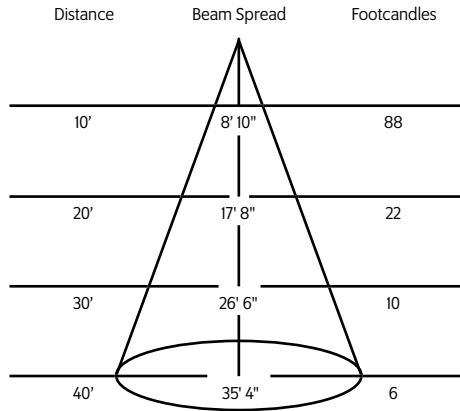
### 33° Narrow Flood Reflector



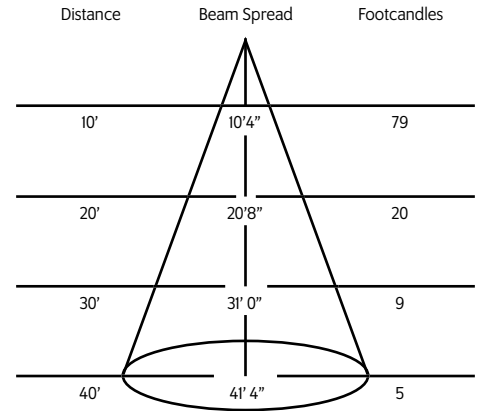
### 40° Flood Reflector



### 48° Wide Flood Reflector



### 55° Wide Flood Reflector



### 64° Wide Flood Reflector

