



Canarsie

100W RGBW Mini Profile Spot



5 Holt Drive,
Stony Point, NY 10980
845-947-3034
www.tslight.com

The Canarsie pairs a high-output 100-watt LED light engine with a zoom lens system from 15 -30 degrees. It's DMX controlled RGBW emitter makes this unit ideal for small stage applications.

A pattern (gobo) slot is included with the unit. Patterns can be ordered as standard or custom by sending us your PDF.

Electrical

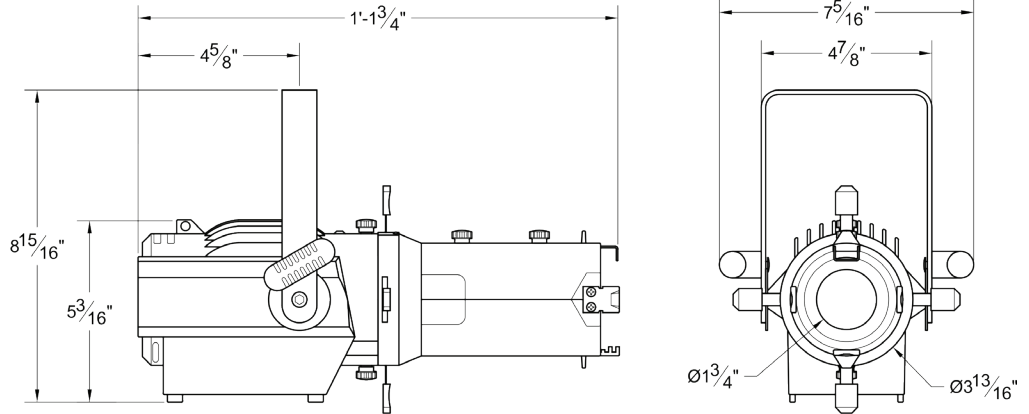
- Power consumption 100-watts
- Voltage AC 100-240-volts , 50-60HZ

Weight

- 6 lbs.

Features

- RGBW 4-in-1 chip
- 95 CRI
- 50,000 hour LED life
- Zoom lens 15° to 30°
- 0-100% dimming
- Adjustable strobe rate 1-25 times per second
- Fixture body, die-cast aluminum



Mounting Options

- MNB** Clamp for pipe up to 2" OD.
- PC9C** Heavy duty pipe clamp for large, heavy fixtures. For pipes up to 2" OD.
- DT2** Track adapter for SpecTrack 2-Circuit data track. 120V (Two required).
- TB8** Table base for heavy fixtures can be mounted to any flat surface. Fixture mounting bolt is 5/16" -18 TPI x 1/2"

Accessories

- PH18** Pattern Holder (outside diameter - 37.5 mm; viewing area - 22.5 mm)
- HD3** Snoot / Hood
- DMX55** XLR Splitter (required clamp mount)
- CF3** Color Frame

Ordering Matrix

Model	Color	Mounting
TS-CO25	B = Black W = White	See Mounting Options

Example: TS-CO25 - B - DT2

TS-CO25 - _____ - _____ - _____