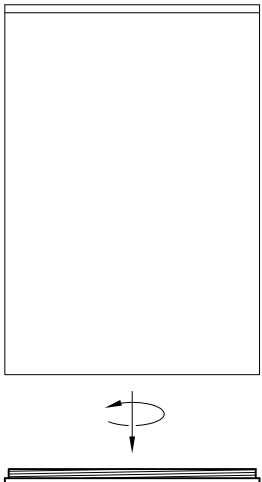
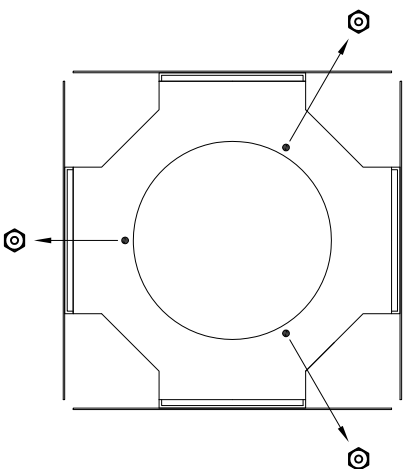


## BARN DOOR INSTALLATION INSTRUCTIONS FOR LED FIXTURES WITH CYLINDER HOUSINGS

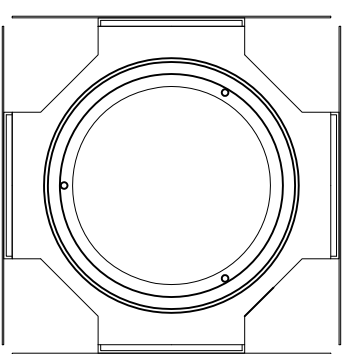
**STEP 1:**  
Unscrew and remove the front ring from  
the fixture housing.



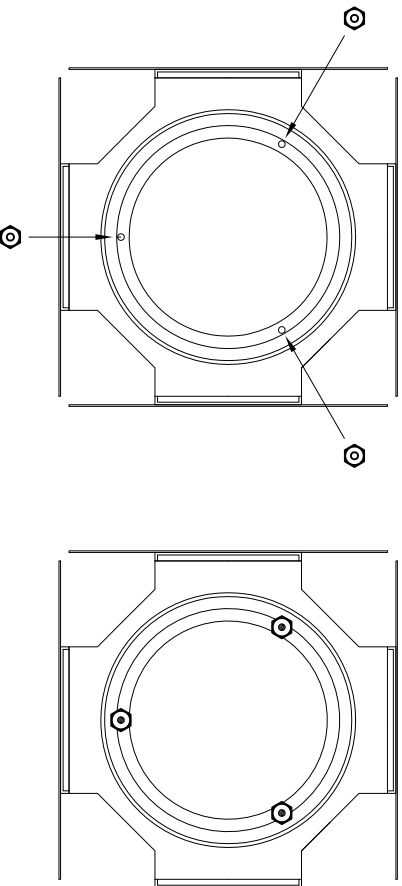
**STEP 2:**  
Remove the three nuts from the threaded  
studs on the rear of the Barn Door.



**STEP 3:**  
Place the ring over the threaded  
studs. Make certain that the  
threads of the ring are facing up,  
away from the Barn Door.



**STEP 4:**  
Replace the three nuts that were removed in Step 2. Make certain that  
the nuts are snug.



**STEP 5:**  
Reattach the front ring (with Barn Door attached) to the  
fixture front. Make certain that the ring is snug. Rotate Barn  
Door clockwise to adjust its orientation as this will prevent  
the front ring from unscrewing.

