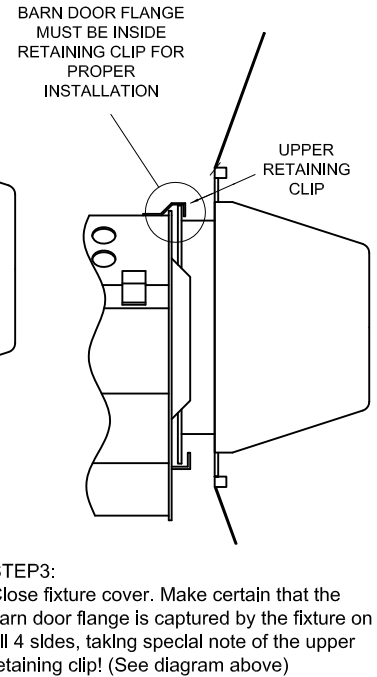
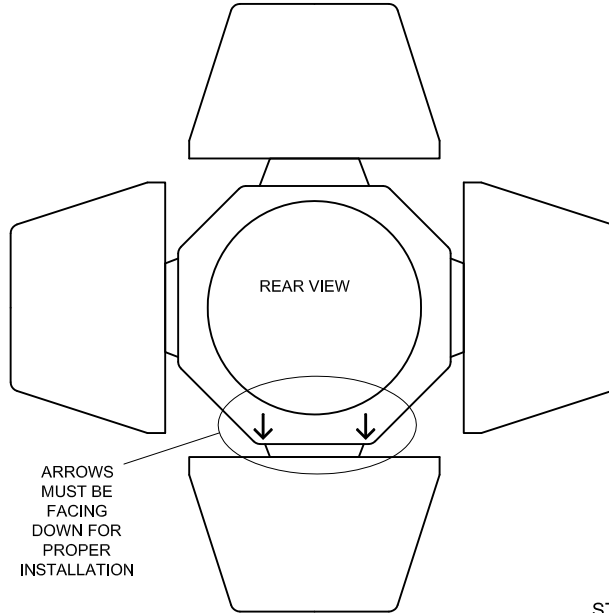
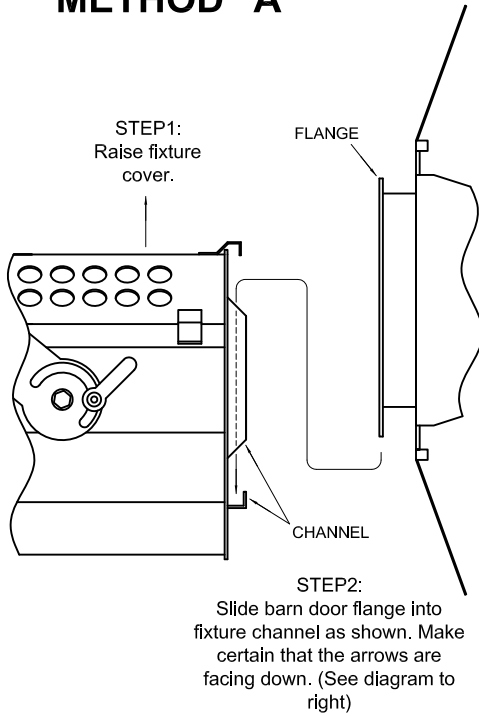


H38 BARN DOOR INSTALLATION INSTRUCTIONS - SAVE THESE INSTRUCTIONS

**NOTE: FOR MODELS WITH HINGED COVER, USE METHOD "A".
FOR MODELS WITH UN-HINGED COVER, USE METHOD "B".**

METHOD "A"



METHOD "B"

