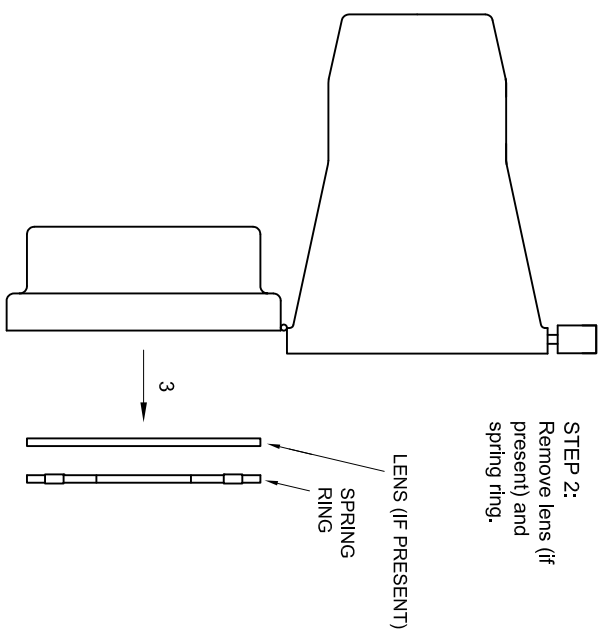
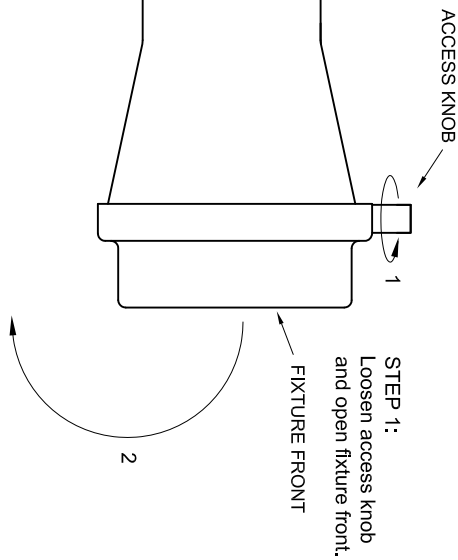


ACCESSORY INSTALLATION INSTRUCTIONS FOR HINGED FRONT FIXTURES



STEP 3:
Install accessory as
shown and reinstall lens
and spring ring. Note: a
snoot is shown as an
example.

