

Installation Instructions for the CELESTE™ Series Fixtures - SAVE THESE INSTRUCTIONS

OBSERVE ALL SAFETY AND OPERATING INSTRUCTIONS BELOW:

Caution! Read and understand these entire instructions before proceeding!

Warning! All electrical installations must be done according to local codes or the National Electric Code (NEC), whichever applies.

Warning! Risk Of Fire! MOST DWELLINGS BUILT BEFORE 1985 HAVE SUPPLY WIRE RATED FOR 60°C! This fixture requires supply wires rated for 75°C minimum. INSTALLATION MUST BE PERFORMED BY QUALIFIED PERSONNEL ONLY!

Warning! Disconnect power at circuit breaker or fuse box BEFORE installing the fixture.

Warning! Do not connect this luminaire to an electrical system that does not provide a means for equipment grounding. INSTALLING A LUMINAIRE INTO AN ELECTRICAL SYSTEM NOT PROVIDED WITH A GROUNDING MEANS COULD ALLOW ALL METAL PARTS OF THE LUMINAIRE TO CARRY ELECTRICAL CURRENT IF ANY OF THE WIRES, WIRE CONNECTIONS, SPLICES OR COMPONENTS BECOME BROKEN, CUT, LOOSE, OR OTHERWISE DAMAGED DURING INSTALLATION OR NORMAL USE. THIS CONDITION COULD LEAD TO ELECTRICAL SHOCK AND COULD CAUSE SERIOUS INJURY OR DEATH! THE SAME WARNING APPLIES FOR AN IMPROPERLY GROUNDED LUMINAIRE!

Warning! Do not suspend this luminaire by the electrical feed wires. Mount to an electrical outlet box according to these instructions and the materials included. Insure that the box has a 100 lb. minimum static load rating. Insure that the box is properly attached to the building structure using a means acceptable to local codes or the National Electric Code (NEC). FAILURE TO PROPERLY INSTALL THE LUMINAIRE MAY RESULT IN THE LUMINAIRE FALLING, THEREBY CAUSING PERSONAL INJURY, AS WELL AS THE DANGER OF ELECTRICAL SHOCK OR FIRE!

Warning! Do not use this fixture if there are any damaged wires, cords or other parts.

Caution! The LED is a factory replacement item and there are NO user serviceable parts inside the control/power portion of the fixture.

Caution! This unit is to be installed in DRY locations only. Always store indoors.

Caution! Do not use this fixture in any way for which it was not intended.

Caution! Keep fixture vent slots free from dust and debris.

Caution! Maximum ambient operating temperature is 40°C (104°F).

Note for DMX/RDM: Make certain that the data cable wiring for the fixtures is in accordance with DMX512-A specifications.

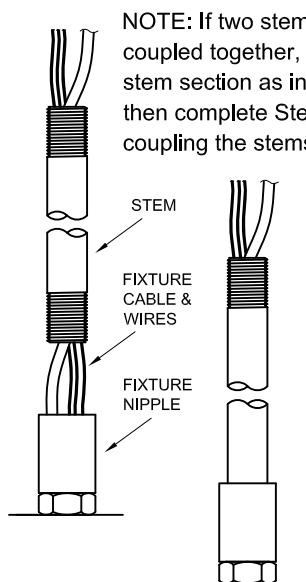
Note for DMX/RDM: Data cable run wiring should be limited to no more than 1000 ft. (approx. 300 meters) in length and connected in a "daisy-chain" fashion. The end of the run must be terminated with a 120 ohm resistor.

Note for DMX/RDM: 32 devices maximum may be placed on a single data cable run. Use splitters if more data runs are required.

INSTALLATION AND WIRING INSTRUCTIONS FOR STEM-&CANOPY-WITH-TERMINAL-BLOCK MOUNTING:

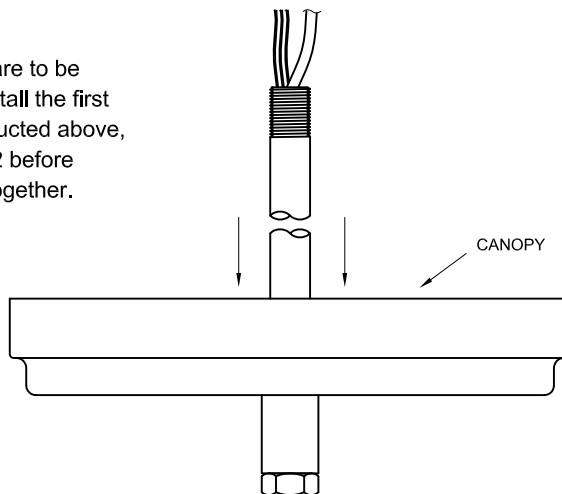
Warning! Read and understand these entire instructions, including the SAFETY AND OPERATING INSTRUCTIONS above before proceeding! This canopy has an integral voltage barrier to separate line voltage and low voltage connections (NOTE: The jacket of the fixture data cable has a 300VAC rating). This canopy will accommodate standard 4"X4" square and 4" round and octagon boxes. The low voltage data cables should be run as close to the outside of the box as possible.

1) Carefully snake the fixture data cable and wires through the stem, then completely thread the stem into the fixture nipple as shown below.

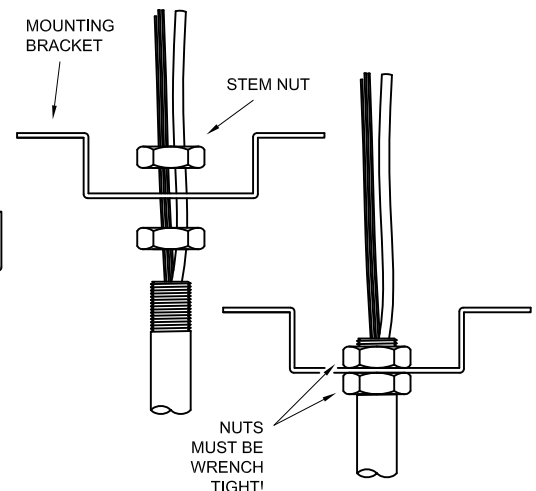


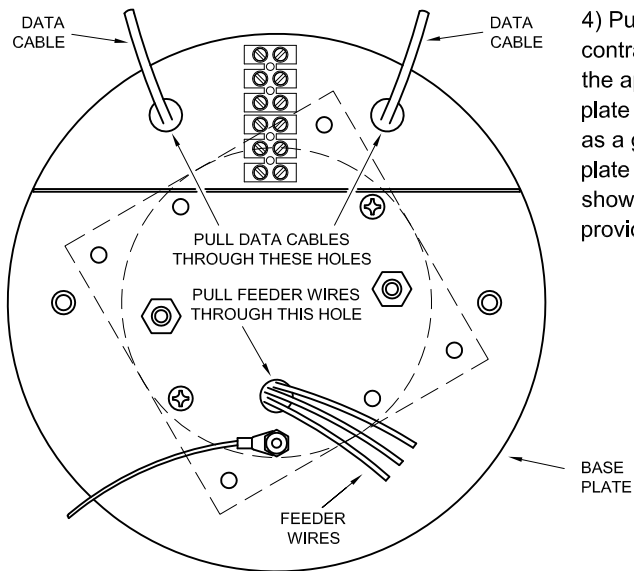
NOTE: If two stems are to be coupled together, install the first stem section as instructed above, then complete Step 2 before coupling the stems together.

2) Carefully slip the canopy over the full length of the stem as shown below. Take care not to scratch the stem!

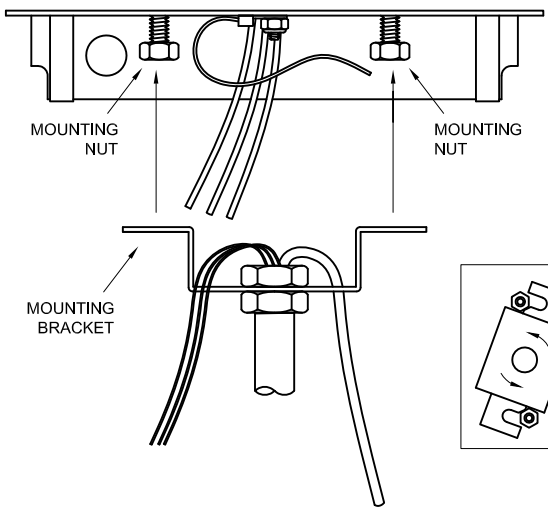
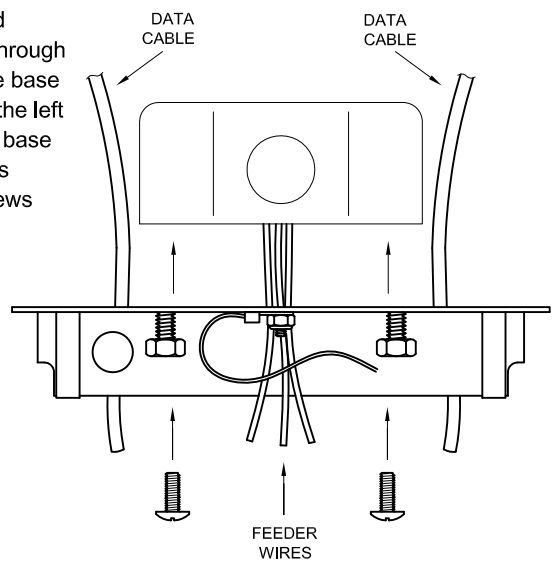


3) Slip two stem nuts and the mounting bracket over the fixture data cable and wires in the order shown below. Thread the nuts onto the stem on either side of the bracket, and completely tighten the nuts to the bracket. These nuts must be wrench tight!

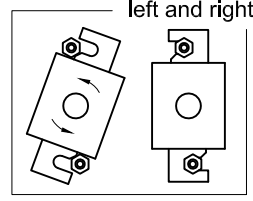
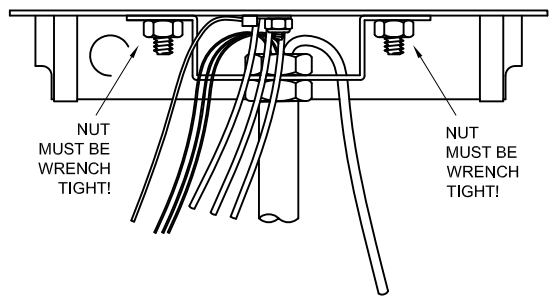




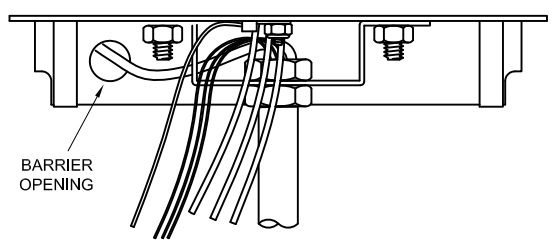
4) Pull the feeder wires and contractor's data cable(s) through the appropriate holes in the base plate using the diagram to the left as a guide, then attach the base plate to the electrical box as shown, right, using the screws provided with the box.



5) Attach the mounting bracket to the base plate by keying the bracket slots between the plate and the two mounting nuts, then tighten the nuts wrench-tight. Use the diagrams, below, and to the left and right as a guide.



6) Slip the fixture data cable through the barrier opening as shown.

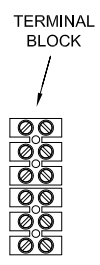


7) Using the terminal block provided, make up the data connections according to list below. CAUTION: If shielded control cable is used, make certain that NO portion of the shield or shield wire (aka drain wire) is bonded to or incidentally in contact with GROUND, or anything electrically connected to GROUND!

FIXTURE DATA CABLE

- WHITE /ORANGE : DATA + IN
- ORANGE: DATA - IN
- WHITE/BROWN: COMMON

- WHT/GREEN: DATA + OUT
- GREEN: DATA - OUT
- BROWN: COMMON



8) Make up the electrical connections according to the list below:
 BLACK to HOT
 WHITE to NEUTRAL
 GREEN (2 wires) to GROUND

9) Carefully raise the canopy over the full length of the stem and secure to the base plate with the two screws provided. Take care not to nick or pinch any wires or scratch the stem!

