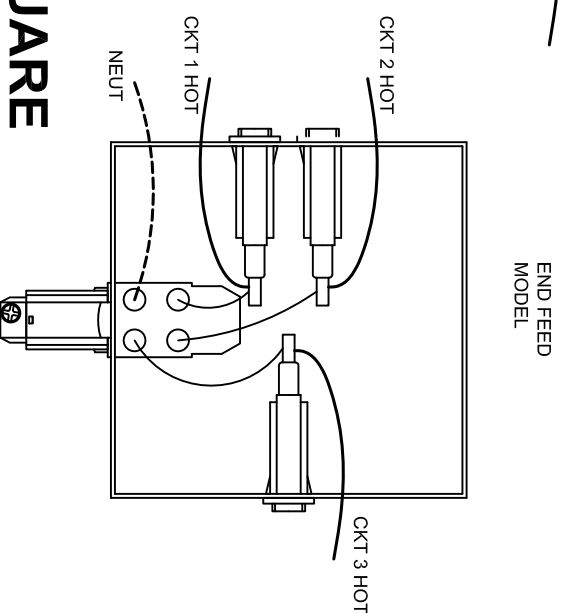
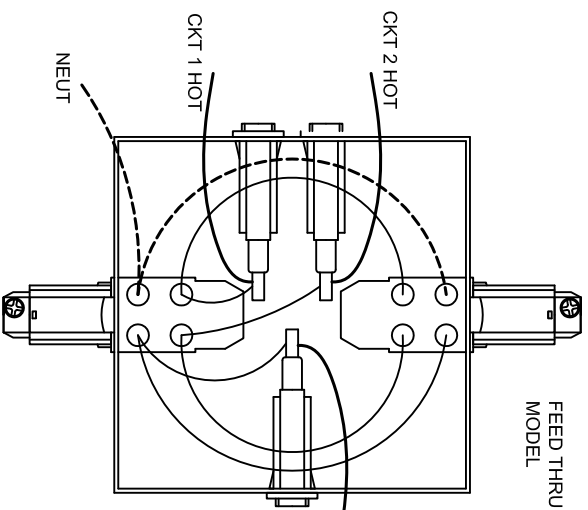
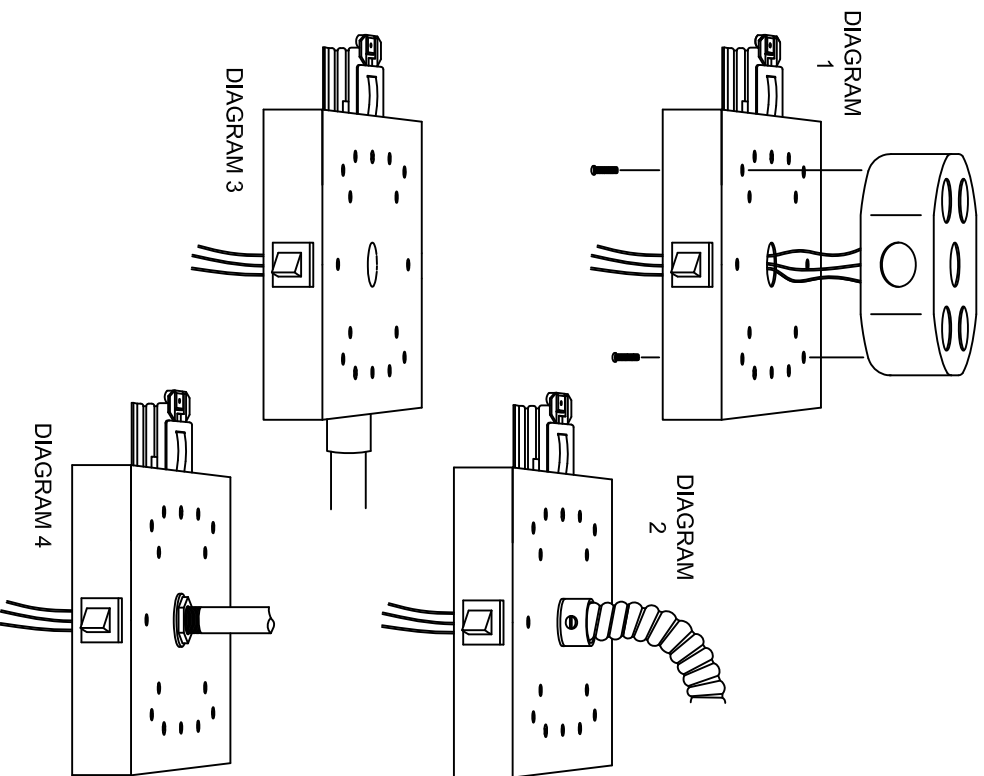


CAUTION: This product is to be installed according to national and local electrical codes and by qualified personnel only!
CAUTION: Disconnect power before installing this equipment!
STEP 1: Install current limiter to junction box (Diagram #1), or install to mounting surface and use 1/2" knockouts provided to install armored cable, conduit, or other approved means of supplying power (Diagrams #2, #3 or #4).
STEP 2: Connect all green wire to system ground.
STEP 3: Connect the 3 hot and 1 neutral feeder wires to the 3 hot and 1 neutral current limiter circuits. Use the diagrams directly below to assist in the proper connection of the current limiter.



TIMES SQUARE LIGHTING INC.

5 HOLT DRIVE, STONY POINT, NY 10980

845-947-3034 FAX: 845-947-3047

www.tsilight.com