

TIMES SQUARE LIGHTING INC.

Times Square Lighting, Inc. 5 Holt Drive, Stony Point, NY 10980
845-947-3034 FAX: 845-947-3047 www.tslight.com

Installation Instructions for PCT Fixtures on Swivel Canopies - SAVE THESE INSTRUCTIONS

OBSERVE ALL SAFETY AND OPERATING INSTRUCTIONS BELOW:

Caution! Read and understand these entire instructions before proceeding!

Warning! All electrical installations must be done according to local codes or the National Electric Code (NEC), whichever applies.

Warning! Risk Of Fire! MOST DWELLINGS BUILT BEFORE 1985 HAVE SUPPLY WIRE RATED FOR 60°C! This fixture requires supply wires rated for 75°C minimum. INSTALLATION MUST BE PERFORMED BY QUALIFIED PERSONNEL ONLY!

Warning! Disconnect power at circuit breaker or fuse box BEFORE installing the fixture.

Warning! Do not connect this luminaire to an electrical system that does not provide a means for equipment grounding. INSTALLING A LUMINAIRE INTO AN ELECTRICAL SYSTEM NOT PROVIDED WITH A GROUNDING MEANS COULD ALLOW ALL METAL PARTS OF THE LUMINAIRE TO CARRY ELECTRICAL CURRENT IF ANY OF THE WIRES, WIRE CONNECTIONS, SPLICES OR COMPONENTS BECOME BROKEN, CUT, LOOSE, OR OTHERWISE DAMAGED DURING INSTALLATION OR NORMAL USE. THIS CONDITION COULD LEAD TO ELECTRICAL SHOCK AND COULD CAUSE SERIOUS INJURY OR DEATH! THE SAME WARNING APPLIES FOR AN IMPROPERLY GROUNDED LUMINAIRE!

Warning! Do not suspend this luminaire by the electrical feed wires. Mount to an electrical outlet box according to these instructions and the materials included. Insure that the box is properly attached to the building structure using a means acceptable to local codes or the National Electric Code (NEC). FAILURE TO PROPERLY INSTALL THE LUMINAIRE MAY RESULT IN THE LUMINAIRE FALLING, THEREBY CAUSING PERSONAL INJURY, AS WELL AS THE DANGER OF ELECTRICAL SHOCK OR FIRE!

Warning! Do not use this fixture if there are any damaged wires, cords or other parts.

Caution! The LED is a factory replacement item and there are NO user serviceable parts inside the control/power portion of the fixture.

Caution! This unit is to be installed in DRY locations only. Always store indoors.

Caution! Do not use this fixture in any way for which it was not intended.

Caution! Keep fixture vent slots free from dust and debris.

Caution! Maximum ambient operating temperature is 40°C (104°F).

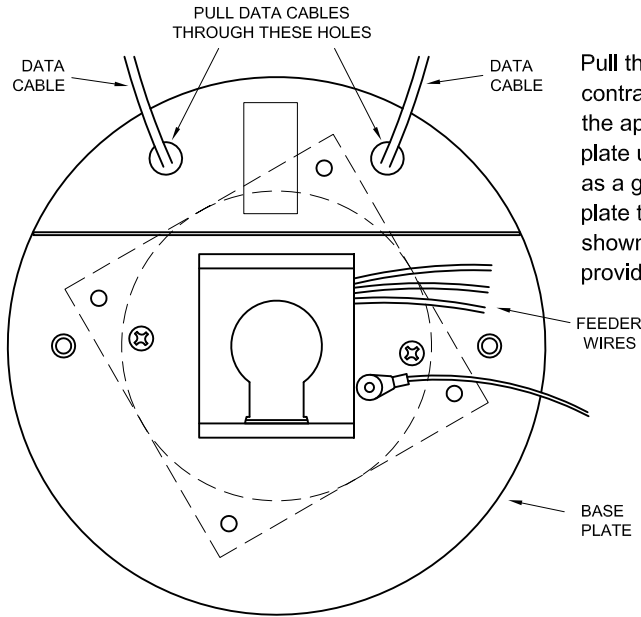
Notes regarding DMX/RDM controlled fixtures: Make certain that the control wiring for the fixtures is in accordance with DMX512-A specifications. Control wiring should be limited to no more than 1000 ft. (approx. 300 meters) in length and connected in a "daisy-chain" fashion. 32* devices fixtures maximum may be placed on a single data run. The last fixture and ONLY the last fixture must have a 120 ohm terminating resistance applied to the control signal. Splitters must be used if more than 32* devices are to be connected to the same DMX signal. It may be beneficial to use specialists, ie, DMX Integrators when designing complex layouts.

* Reduce this number to 20 when using SpecTrac.

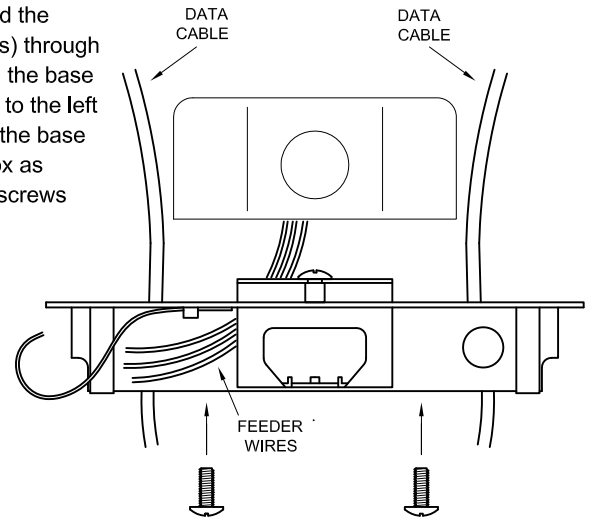
INSTALLATION AND WIRING INSTRUCTIONS:

Warning! Read and understand these entire instructions, including the SAFETY AND OPERATING INSTRUCTIONS above before proceeding! This canopy has an integral voltage barrier to separate line voltage and low voltage connections. This canopy will accommodate standard 4"X4" square and 4" round and octagon boxes. The contractor's low voltage data cables should be run as close to the outside of the box as possible. All wires, including CONTROL wires, supplied with this fixture have insulation rated for 300V minimum and are permitted to occupy the same enclosure per NEC 300.3 (C)(1).

1) INSTALLING THE CANOPY MOUNTING PLATE:



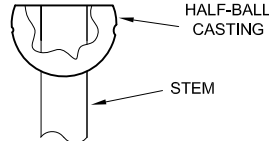
Pull the feeder wires and the contractor's data cable(s) through the appropriate holes in the base plate using the diagram to the left as a guide, then attach the base plate to the electrical box as shown, right, using the screws provided with the box.



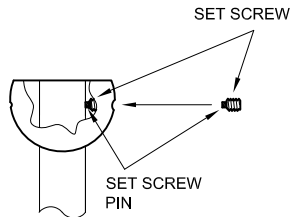
2) PREPARING THE STEM (aka PENDANT):

1) Cut the stem to the desired length and remove any sharp edges or burrs, if present, on the inside edges of the stem openings.

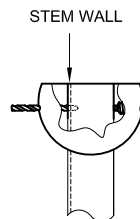
2) Insert the cut end of the stem into the round end of the half-ball casting such that the end of the stem is flush with the flat side of the casting.



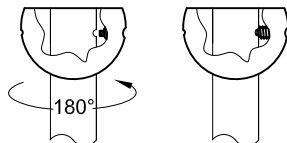
3) With a 1/8" hex wrench, install the set screw into the casting such that the pin of the set screw is pressing tightly against the stem, thereby holding the stem in place.



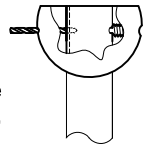
4) Using the hole on the casting opposite the set screw as a guide, drill through the stem wall using a 1/8" drill bit. Make certain that the drill bit stays perpendicular to the stem, and drill through the first stem wall only.



5) Loosen the set screw several turns and rotate the stem exactly 180° keeping the end of the stem flush with the flat side of the half-ball casting. Retighten the set screw such that the pin of the set screw is now engaged into the hole drilled in the previous step.



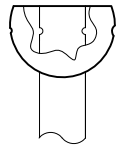
6) Using the hole on the casting opposite the set screw as a guide, drill through the stem wall using the same 1/8" drill bit. Make certain that the drill bit stays perpendicular to the stem, and drill through the first stem wall only. NOTE: There should now be two 1/8" holes in the end of the stem opposite one another.



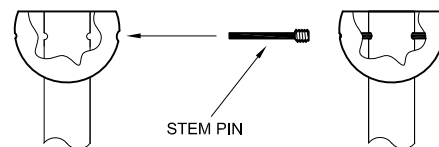
7) Remove and discard the set screw.

8) Remove the stem from the half-ball casting and remove any burrs from the inside of the two drilled holes of the casting.

9) Reinsert the stem into the round end of the casting such that the casting holes and newly drilled stem holes are aligned.



10) With a 1/8" hex wrench, install the stem pin into the casting such that the end of the pin extends through both holes of the stem and into the opposite side of the casting.



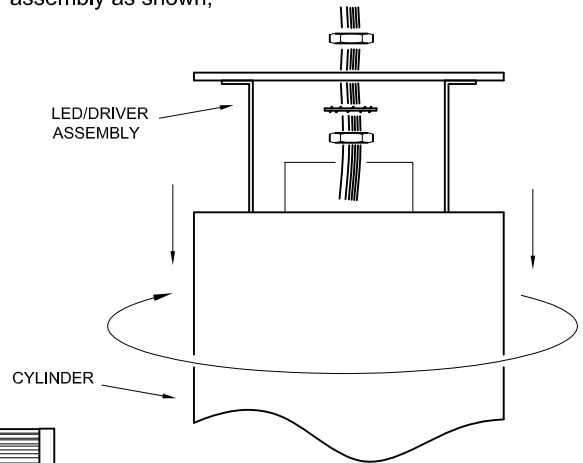
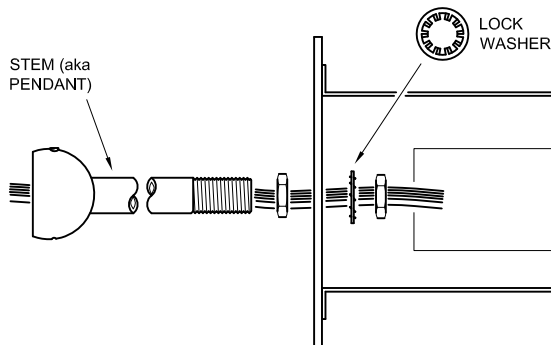
11) If more than one stem section is to be coupled together, do so now, otherwise skip this step. Make certain that all threads are fully engaged within the coupling. CAUTION: Remove any sharp edges or burrs, if present, on the inside edges of all stem openings before coupling them together.

3) ATTACHING THE STEM TO THE FIXTURE (NOTE: If the stem is already attached to the fixture, skip this section):

1) Turning counter-clockwise, carefully unscrew the cylinder from the LED/driver assembly as shown, and set the cylinder aside.

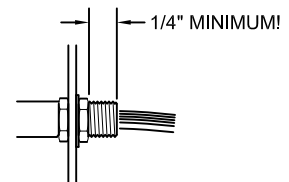
2) Trim all fixture wires to about 12-15" longer than the stem length.

3) Snake all fixture wires through the stem now. CAUTION: Before snaking wires, remove any sharp edges or burrs, if present, on the inside edges of the stem openings. Do this on both ends of the stem. NOTE: It may be beneficial to remove the stem pin before snaking the wires through the stem, then reinstalling the stem pin directly thereafter. Wiggle the wires to get the stem pin through the bundle. Take care not to pinch any wires!



4) Tighten nuts as shown. CAUTION! Make certain 1/4" of the stem threads are extending into fixture.

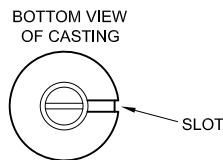
5) Turning clockwise, carefully thread the cylinder onto the LED/driver assembly as shown. Make certain not to cross thread the 2 parts!



4) ATTACHING THE STEM TO THE CANOPY:

1) Slip the canopy over the stem down to the fixture.

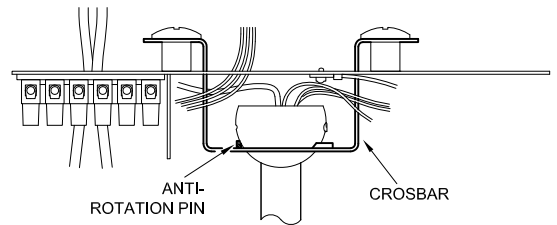
2) Slip the half-ball casting onto the crossbar such that anti-rotation pin of the crossbar rests within the slot in the casting.



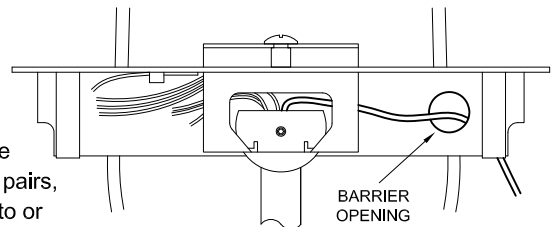
3) Make line voltage electrical connections according to the following:

BLACK wire to HOT, WHITE wire to NEUTRAL, BOTH GREEN wires to GROUND.

4) Slip the fixture data cable through the barrier opening as shown.

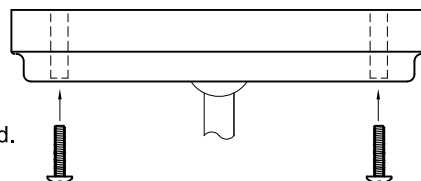
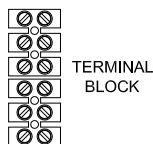


5) Using the terminal block provided, make up the data connections according to the TABLE below. CAUTION: If the contractor's data cable consists of shielded twisted pairs, make certain that NO portion of the shield or shield wire (aka drain wire) is bonded to or incidentally in contact with GROUND, or anything electrically connected to GROUND!



WHITE/ORANGE: DATA + IN
 ORANGE: DATA - IN
 WHITE/BROWN: COMMON

WHITE/GREEN: DATA + OUT
 GREEN: DATA - OUT
 BROWN: COMMON



6) Carefully secure the canopy to the base plate with the two screws provided. NOTE: There may be stem nuts and a green screw left over. Discard them.