



Aura Projector

ILED36P & ILED45P 32W Max Projector



5 Holt Drive,
Stony Point, NY 10980
845-947-3034
info@tslight.com

Manufactured in the USA - IBEW



XICATO

Electrical

- Integral electronic driver
- 120V or 277V @ 60 Hz, 230V @ 50 hz
- Meets FCC 47 CFR Part 15/18 Requirements

Construction

- Steel housing with black, white or silver finish
- Accepts up to 2 accessories
- Weight: 10 lbs.
- Non track versions utilize RJ45 input.

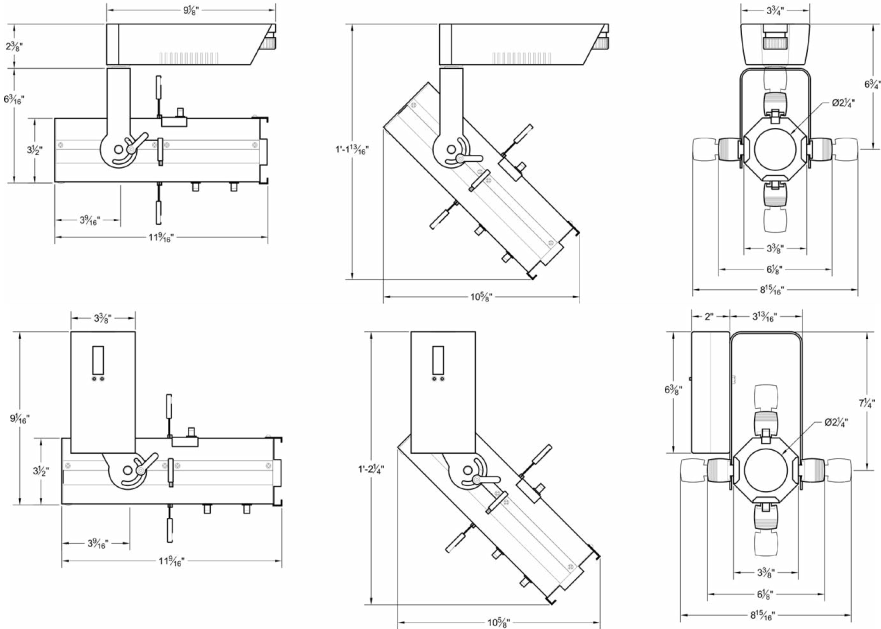
Dimming

- DMX Dimming

Optics

- 20°-40° Zoom optics system

The Aura projector has the highest CRI value of any LED projector on the market today. Utilizing the Xicato Artist module, this powerful, compact projector is ideal for highlighting artwork in museums. With nearly sunlight-quality light output, it is the perfect solution for any situation where the truest color rendering is needed. It is warranted not only for its lumen maintenance, but Times Square Lighting upholds Xicato's guarantee that the color consistency will remain within 3 MacAdam ellipses after 50,000 hours of use. DMX control gives the Aura projector dim-to-dark capabilities as well as the ability to be individually addressed. Total control of this lighting fixture makes it a good fit for restaurants and nightclubs where dramatic dimming is needed as well.



Features

- Xicato XTM Module with Cold Phosphor Technology
- Color temp options: 2700K, 3000K, 3500K, 4000K
- CRI: 83 or 98
- L70 50,000 Hours
- Adjustable framing shutters
- Accessory holder
- No UV or IR

LED Module	Total Wattage	Delivered Lumen	Efficacy (Lm/W)	CRI
98	32	1900	59	98
83	21	1900	90	83
83	32	2850	89	83

* Total wattage equals LED plus driver. Delivered lumen may vary depending on LED module, color temperature, optics, and accessories.

Ordering Matrix

Model	Lumens	LED Module	Color Temp	Finish	Voltage	Mounting	Accessories
ILED	36P = 2000 45P = 3000	83 98*	27 = 2700K 30 = 3000K 35 = 3500K 40 = 4000K	B = Black W = White S = Silver CC = Custom Color	120 = 120V @ 60 Hz 230 = 230V @ 50 Hz 277 = 277V @ 60 Hz	See Mounting Options	See Accessory Options

Maximum ambient temperature: 35°C
Maximum operating angle: 45° from vertical
* Not available in 3000 lumen fixture

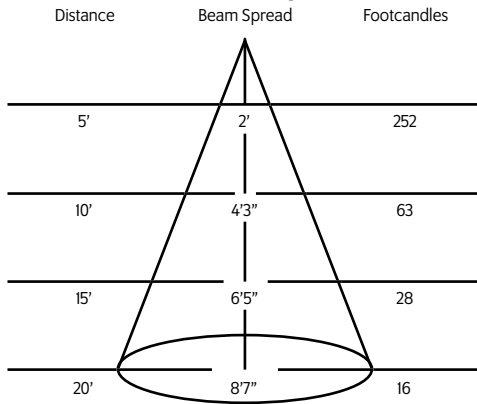
Example: ILED-36P-27-98-30-B-120-N3

ILED-_____ - _____ - _____ - _____ - _____ - _____

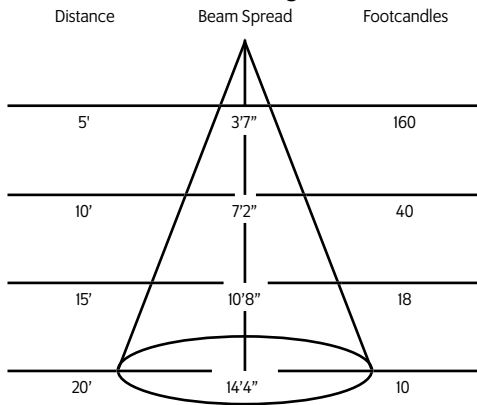
* Specification sheets are subject to change without notice.

Photometric Data

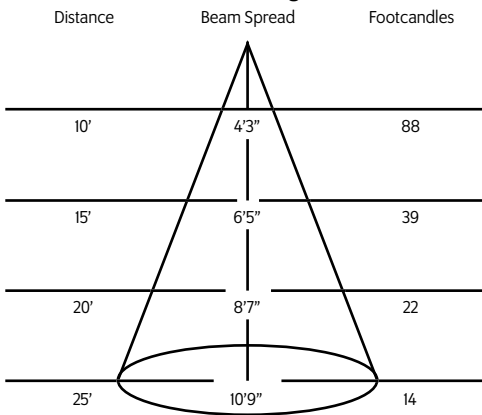
ILED36P 20° Setting



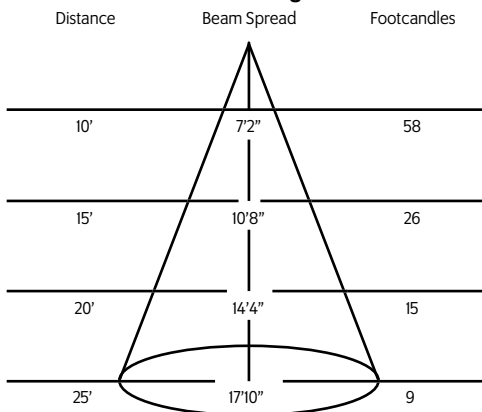
40° Setting



ILED45P 20° Setting



40° Setting



Mounting Options

N3 2 circuit track adapter for Data Bus. Specification grade track. 120V.

RJ45 Mounting.

CM4 Canopy Mount

US1 6 $\frac{5}{8}$ " x 1 $\frac{1}{2}$ " Unitrut Adapter

TB4 6 $\frac{1}{4}$ " Portable wall mount/table base floor, wall or table use.

PC9M Heavy duty pipe clamp for large, heavy fixtures. For pipes up to 2" O.D.

MC Light duty pipe clamp for small fixtures. For pipes up to 1 $\frac{5}{16}$ " O.D.

MN Medium duty pipe clamp for small to large fixtures. For pipes up to 2" O.D.

*Various track mounts available consult factory.

Accessories

CF6	Color Frame
SN6	Snoot/Hood
PH6	Pattern Holder
PD6	Pattern Donut
SPE	Stock Pattern Steel
CPE	Custom Pattern Steel
GPE	Custom Pattern Glass
DF6	Dichroic Color Filter
GF6-702	UV Blocking Filter
CCI8	Coiled Cord
6I	Iris

Pattern Rotator

5300 Mini Spin (variable speed pattern rotator)



Extension Wands

SP 12	12" Stem
SP 18	18" Stem
SP 24	24" Stem
SP X	Custom Length

Slingshot



The Slingshot allows you to cast the output of a Times Square Lighting ellipsoidal at a right angle. This allows flexibility in situations when the fixture is mounted horizontally but the desired aiming angle is vertical (or vice versa).

- **LENGTH:** 6-3/4"
- **WIDTH:** 4"
- **DEPTH:** 4"
- **RANGE OF MOTION:** 0° to 44°

MODEL	COLOR
SLMB	Black Slingshot
SLMW	White Slingshot

* For notes on dimming, please [click here](#).