

Installation Instructions for the CELESTE™ Series Fixtures - SAVE THESE INSTRUCTIONS

OBSERVE ALL SAFETY AND OPERATING INSTRUCTIONS BELOW:

Caution! Read and understand these entire instructions before proceeding!

Warning! All electrical installations must be done according to local codes or the National Electric Code (NEC), whichever applies.

Warning! Risk Of Fire! MOST DWELLINGS BUILT BEFORE 1985 HAVE SUPPLY WIRE RATED FOR 60°C! This fixture requires supply wires rated for 75°C minimum. INSTALLATION MUST BE PERFORMED BY QUALIFIED PERSONNEL ONLY!

Warning! Disconnect power at circuit breaker or fuse box BEFORE installing the fixture.

Warning! Do not connect this luminaire to an electrical system that does not provide a means for equipment grounding. INSTALLING A LUMINAIRE INTO AN ELECTRICAL SYSTEM NOT PROVIDED WITH A GROUNDING MEANS COULD ALLOW ALL METAL PARTS OF THE LUMINAIRE TO CARRY ELECTRICAL CURRENT IF ANY OF THE WIRES, WIRE CONNECTIONS, SPLICES OR COMPONENTS BECOME BROKEN, CUT, LOOSE, OR OTHERWISE DAMAGED DURING INSTALLATION OR NORMAL USE. THIS CONDITION COULD LEAD TO ELECTRICAL SHOCK AND COULD CAUSE SERIOUS INJURY OR DEATH! THE SAME WARNING APPLIES FOR AN IMPROPERLY GROUNDED LUMINAIRE!

Warning! Do not suspend this luminaire by the electrical feed wires. Mount to an electrical outlet box according to these instructions and the materials included. Insure that the box has a 100 lb. minimum static load rating. Insure that the box is properly attached to the building structure using a means acceptable to local codes or the National Electric Code (NEC). FAILURE TO PROPERLY INSTALL THE LUMINAIRE MAY RESULT IN THE LUMINAIRE FALLING, THEREBY CAUSING PERSONAL INJURY, AS WELL AS THE DANGER OF ELECTRICAL SHOCK OR FIRE!

Warning! Do not use this fixture if there are any damaged wires, cords or other parts.

Caution! The LED is a factory replacement item and there are NO user serviceable parts inside the control/power portion of the fixture.

Caution! This unit is to be installed in DRY locations only. Always store indoors.

Caution! Do not use this fixture in any way for which it was not intended.

Caution! Keep fixture vent slots free from dust and debris.

Caution! Maximum ambient operating temperature is 40°C (104°F).

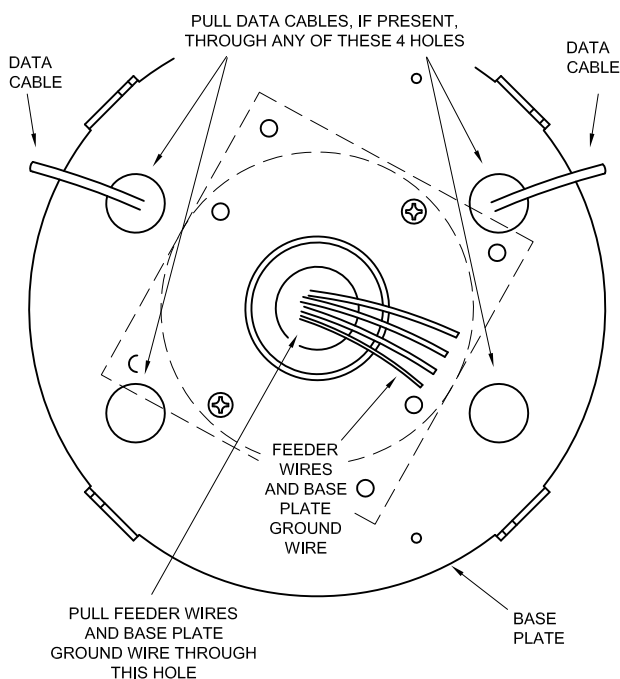
Note for DMX/RDM: Make certain that the data cable wiring for the fixtures is in accordance with DMX512-A specifications.

Note for DMX/RDM: Data cable run wiring should be limited to no more than 1000 ft. (approx. 300 meters) in length and connected in a "daisy-chain" fashion. The end of the run must be terminated with a 120 ohm resistor.

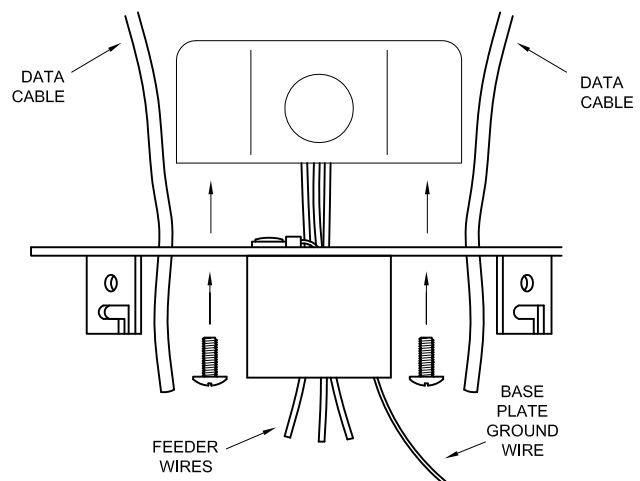
Note for DMX/RDM: 32 devices maximum may be placed on a single data cable run. Use splitters if more data runs are required.

INSTALLATION AND WIRING INSTRUCTIONS FOR SURFACE MOUNTING:

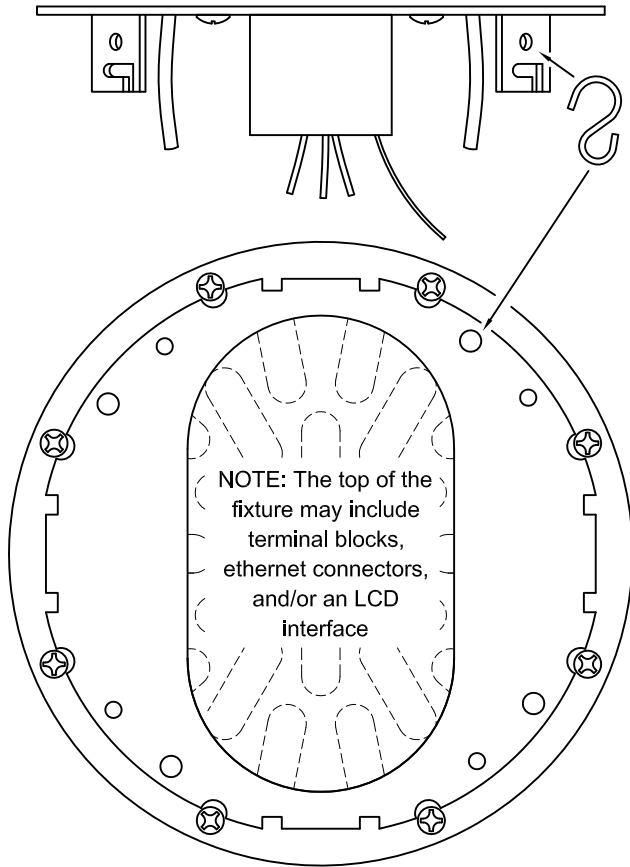
Warning! Read and understand these entire instructions, including the SAFETY AND OPERATING INSTRUCTIONS above before proceeding! The fixture mounting plate will accommodate standard 4"X4" square and 4" round and octagon boxes. The low voltage data cables, *if required*, should be run as close to the outside of the box as possible.



1) Pull the feeder wires (which may or may not contain 0-10V Dimming wires) and contractor's data cable(s), if present, through the appropriate holes in the base plate using the diagram to the left as a guide, then attach the base plate to the electrical box as shown below using the screws provided with the box. NOTE: Data cable(s) may have an RJ45 ethernet connector on the end.



NOTE: Although not necessary, temporarily connecting the fixture top to the base plate with the provided hook at this point will make it easier to accomplish steps 3 thru 6 (See diagram below).



3) For installations requiring data connections, make up those connections now, then go to the next step. CAUTION: If shielded control cable is used, make certain that NO portion of the the shield or shield wire (aka drain wire) is bonded to or incidentally in contact with GROUND, or anything electrically connected to GROUND!

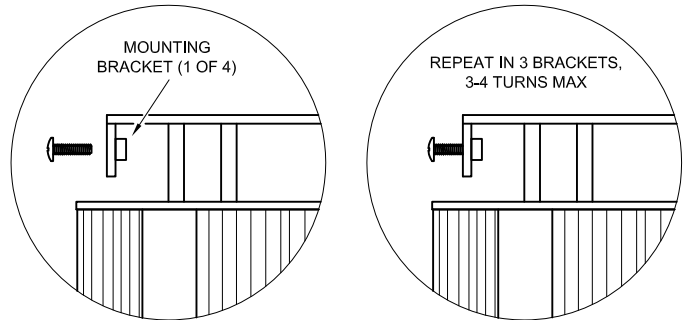
For installations that do not require data connections, go to the next step.

4) Make up the electrical connections according to the list below:
 BLACK to HOT
 WHITE to NEUTRAL
 GREEN (2 wires) to GROUND
 and for 0-10V Dimming (if present):
 GREY OR PINK to 0-10V Control MINUS (-) [usually grey or pink]
 VIOLET to 0-10V Control PLUS (+) [usually violet]
 NOTE: Fixtures with emergency drivers are provided with supplemental wiring instructions.

5) For installations requiring programming the individual fixtures, energize this fixture and refer to Instruction Sheet 0055: "Instructions for the Safe Operation and Use of the CELESTE™ Series ENHANCED DMX LED Fixtures." After programming, de-energize the fixture and go to the next step.

For installations that don't require programming, go to the next step.

6) Install three of the four 6-32 screws provided 3-4 turns each into the four mounting brackets at the fixture top as shown directly below.



7) While firmly grasping the fixture, remove and discard the hook. Gently and carefully raise and install the fixture to the base plate such that the 3 mounting bracket screws line up with the 3 "L" shaped base plate slots as shown, then rotate the fixture until the screws are *fully* engaged with the horizontal portion of the slots (See diagram to the left). WARNING: Make certain that no wires are pinched or compromised in any way!

8) Install the fourth 6-32 screw to the remaining mounting bracket and fully tighten all 4 mounting screws as shown below.

