



Manufactured in the USA - IBEW

PRODUCT LISTED
BY A NATIONALLY
RECOGNIZED
TESTING
LABORATORY



Construction

- Aluminum housing with black, white, silver or custom color finish
- Locking yoke
- Weight: 2 lbs.

Electrical

- Integral electronic driver
- 120-277V 50/60 Hz
- Meets FCC 47 CFR Part 15/18 Requirements

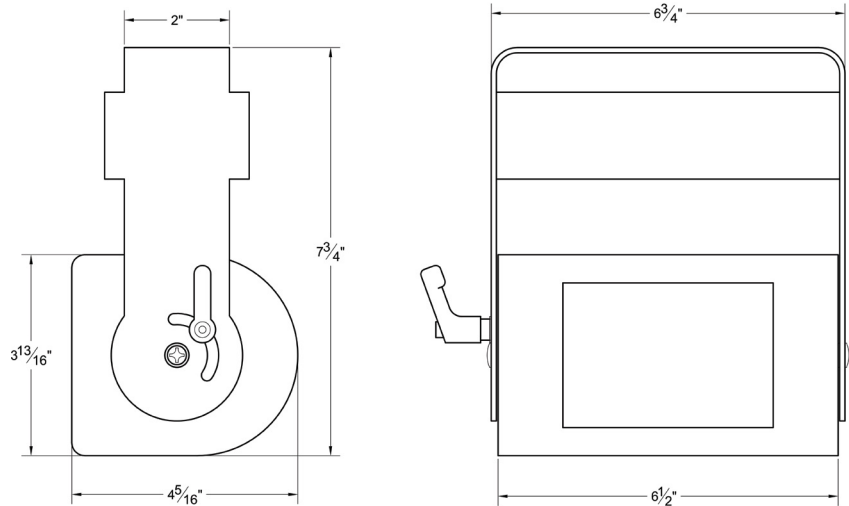
FL Series

Wall Wash / Flood



5 Holt Drive
Stony Point, NY 10980
845-947-3034
info@tslight.com

The FL Series is designed around the CREE™ LED module. This module produces an even field of illumination for the most demanding applications. The FL Series is ideal for museum and retail lighting where a low wattage, high output LED fixture would be required, for wall wash or flood light applications. The FL Series is available in standard black, white, or silver finishes. Custom colors are available upon request.



Model	CRI	Total Wattage	Lumens	Efficacy (Lm/W)
FL9	80 / 92	6 / 7	900 / 900	150 / 129
FL12	80 / 92	8 / 9	1200 / 1200	150 / 133
FL15	80 / 92	10 / 12	1500 / 1500	150 / 125
FL18	80 / 92	12 / 14.5	1800 / 1800	150 / 124
FL20	80 / 92	13 / 16	2000 / 2000	154 / 125
FL21	92	17.5	2100	120
FL23	80	17.5	2300	131
FL25	80 / 92	18 / 24	2500 / 2500	139 / 104
FL27	92	25	2700	108
FL30	80 / 92	24 / 30	3000 / 3000	125 / 100
FL35	80	32	3500	109
FL42	92	40	4200	105
FL48	80	40	4800	120

* Total wattage equals LED plus driver. Delivered lumen may vary depending on LED module, color temperature, optics, and accessories. Testing done with 3000K LED array.

Ordering Matrix

Model	Lumens	CRI	Color Temp	Finish	Voltage	Mounting	Dimming †	Accessories
FL	9 = 900 12 = 1200 15 = 1500 18 = 1800 20 = 2000 21 = 2100 23 = 2300 25 = 2500 27 = 2700 30 = 3000 35 = 3500 42 = 4200 48 = 4800	80 92	27 = 2700K 30 = 3000K 35 = 3500K 40 = 4000K 57 = 5700K	B = Black W = White S = Silver CC = Custom Color	100 †† 120 240 277	See Mounting Options	TE = Trailing Edge* LE = Leading Edge** 010 = 0-10V ND = Non-Dimming	See Accessory Options

Maximum ambient temperature: 35°C

* 277V TE Dimming available on 1800, 2300 & 3000 lumen, 80 CRI and 1500, 2100 and 2700 lumen, 92 CRI only.
** 120V Only

† See "Notes on Dimming" on reverse
†† Non-Dim or 0-10V dimming only

Example: FL30-80-27-B-120-TI-TE

FL _ _ _ _ _

* Specification sheets are subject to change without notice.

Photometric Data

Distance	50° Beam Spread	Footcandles													
		FL9	FL12	FL15	FL18	FL20	FL21	FL23	FL25	FL27	FL30	FL35	FL42	FL48	
2'	1'10"	223	297	372	446	495	520	570	621	669	743	867	1050	1200	
4'	3'9"	56	74	93	112	124	130	142	155	167	186	217	263	300	
6'	5'7"	25	33	41	50	55	63	63	69	74	83	96	117	133	
8'	7'6"	14	19	23	28	31	36	36	39	42	46	54	66	75	
10'	9'4"	9	12	15	18	20	23	23	25	27	30	35	42	48	
12'	11'2"	6	8	10	12	14	16	16	17	19	21	24	29	33	
14'	13'1"	5	6	8	9	10	12	12	13	14	15	18	21	25	
16'	14'11"	-	5	6	7	8	9	9	10	10	12	14	16	21	
18'	16'10"	-	-	5	6	6	7	7	7	8	9	11	13	15	
20'	18'8"	-	-	-	5	5	6	6	6	7	7	9	11	12	

Mounting Options

DT2 2-Circuit track adapter for SpecTrack databus. 120V.

HDT2 Track adapter for SpecTrack 2-Circuit data track. 277V.

T1 Track Adapter for commercial grade 1 & 2 circuit track. 120V. For use with larger, heavier fixtures.

TA2 Track adapter for G-Series specification grade 2-circuit track. 120V.

HTA2 Track adapter for G-Series specification grade 2-circuit track. 277V.

TA3 Track adapter for G-Series specification grade 3-circuit track. 120V.

CM4 Canopy Mount

US1 6 $\frac{5}{8}$ " x 1 $\frac{1}{2}$ " Unitrut Adapter

TB8 8" x 8" Portable table base for floor and table use

MC Light duty pipe clamp for small fixtures. For pipes up to 1 $\frac{5}{16}$ " O.D.

MN Medium duty pipe clamp for small to large fixtures. For pipes up to 2" O.D.

PC9M Heavy duty pipe clamp for large, heavy fixtures. For pipes up to 2" O.D.

Accessories

BD14-500*	Accessory Holder
BD14*	Barn Door
CF14*	Color Frame
FX14*	Color Filter
CC18	Coiled Cord
SC-24	Safety Cable

*Required accessory when using glass or dichroic filters

Extension Wands

SP 12	12" Stem
SP 18	18" Stem
SP 24	24" Stem
SP X	Custom Length

* For notes on dimming, please [click here](#).