



CR100

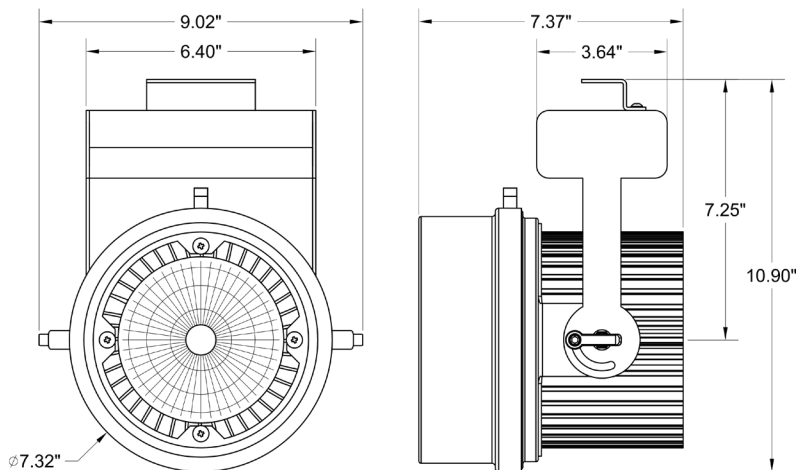
80W, 9800 Lumen LED



5 Holt Drive,
Stony Point, NY 10980
845-947-3034
info@tslight.com

The CR100 is a powerful LED fixture designed for medium to long throw applications. This efficient, 80-watt LED fixture can produce a 12° degree beam that rivals line voltage PAR technology. The CR100 utilizes a Cree XLamp LED array that delivers a high lumen output and uniform color.

The CR100 is available in Black, White, and Silver finishes. Custom colors are available upon request.



Manufactured in the USA - IBEW



Construction

- Steel & aluminum housing with black, white or silver finish
- Internal multiple accessory holder
- Weight: 7 lbs.

Electrical

- Integral electronic driver
- 100-277V, 50/60Hz
- Meets FCC 47 CFR Part 15/18 Requirements

Optics

- 12°, 19°, 33°, 40°, 48°, 55°, and 64°
Field - changeable reflectors

LED

- 2700K, 3000K, 3500K, 4000K, 5000K
- CRI: 80 Standard or 92 Optional
- Beam Angle: 12°, 19°, 33°, 40°, 48°, 55°, 64°
- Cree XLamp LED array
- No UV or IR

CRI	Total Wattage	Lumen	Efficacy (Lm/W)	CRI
80	80	9800	123	80

* Total wattage equals LED plus driver. Delivered lumen may vary depending on LED module, color temperature, optics, and accessories.

* Testing done with 4000K COB.

Dimming

- Trailing Edge (ELV): 120V
- Leading Edge (Triac): 120V
- 0-10V: 120-277V with surface mounting.
- Dims to 0.1% on 0-10V or 1% minimum on most phase dimmers
- Dims to 0.1% on 0-10V or 1% on most theatrical style rack mount leading edge dimmers.

Ordering Matrix

Model	LED Module	Color Temp	Finish	Voltage	Optics	Mounting	Dimming*	Accessories
CR100	80	27=2700K	B = Black	120	10=10°	See Mounting Options	PH = Phase Dimming (Leading/Trailing Edge)† 010 = 0-10V Dimming	See Accessory Options
	92	30=3000K 35=3500K 40=4000K 50=5000K 57=5700K	W = White S = Silver CC = Custom Color	277	12=12° 19=19° 33=33° 40=40° 48=48° 55=55° 64=64°			

Maximum ambient temperature: 35°C † 120V Only
Maximum operating angle: 45° from vertical

* See "Notes on Dimming" on reverse

Example: CR100-9230-B-120-12-DT2-DXE

CR100 - - - - -

* Specification sheets are subject to change without notice.

Mounting Options

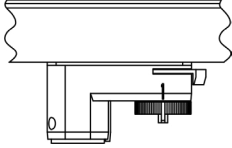
DT2 2-Circuit track adapter for SpecTrack Databus. 120V.

HDT2 Track adapter for SpecTrack 2-Circuit data track. 277V.

TA2 Track adapter for G-Series specification grade 2-circuit track. 120V.

HTA2 Track adapter for G-Series specification grade 2-circuit track. 277V.

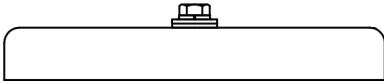
TA3 Track adapter for G-Series specification grade 3-circuit track. 120V.



US1 6 $\frac{5}{8}$ " x 1 $\frac{1}{2}$ " Unistrut Adapter

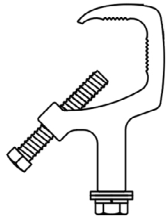


TB8 8" x 8" Portable table base for floor and table use

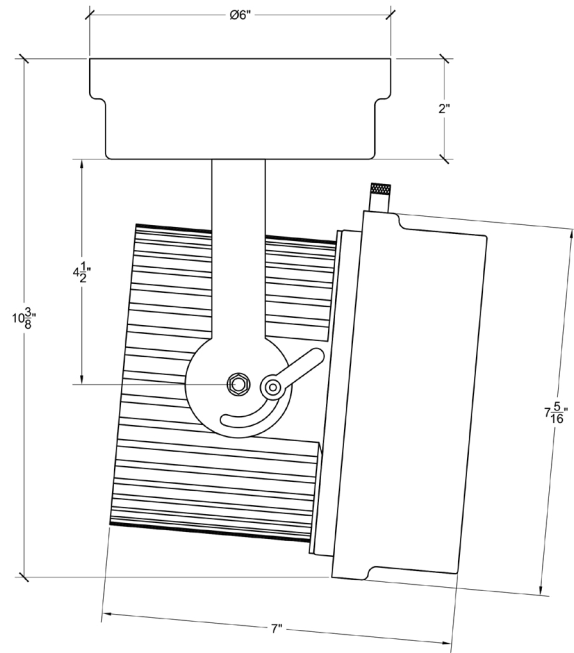


MN Medium duty pipe clamp for small to large fixtures. For pipes up to 2" O.D.

PC9M Heavy duty pipe clamp for large, heavy fixtures. For pipes up to 2" O.D.



CM3 Canopy Mount



Accessories

LV9	Louver
LV9BD	Louver (for use with BD9)
BD9	Barndoor
HD9	Hood
SH9	Sparkle Hood
XH9	Cross Baffle Hood
CF9	Color Frame
GF9	Glass Color Filter
DF9	Dichroic Color Filter
GF9-600	5°x50° Linear Lens
GF9-601	Beam Softener
GF9-673	50°x50° Spread Lens
CC18	Coiled Cord
SC-24	Safety Cable

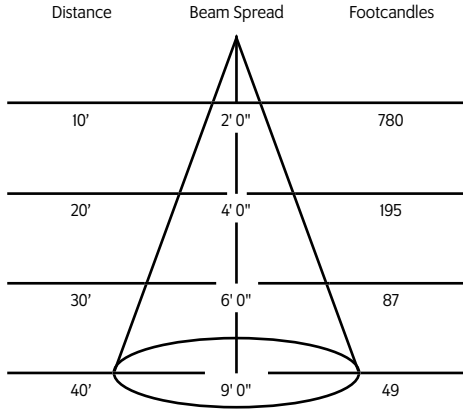
Extension Wands

SP 12	12" Stem
SP 18	18" Stem
SP 24	24" Stem
SP X	Custom Length

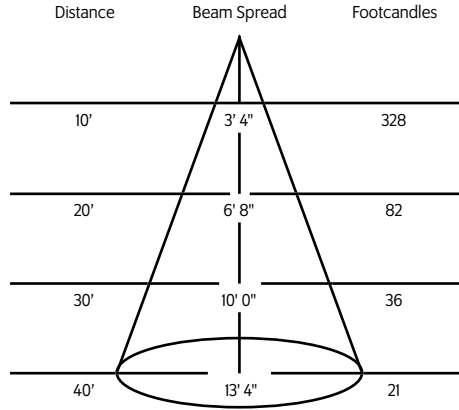
* For notes on dimming, please [click here](#).

Photometric Data

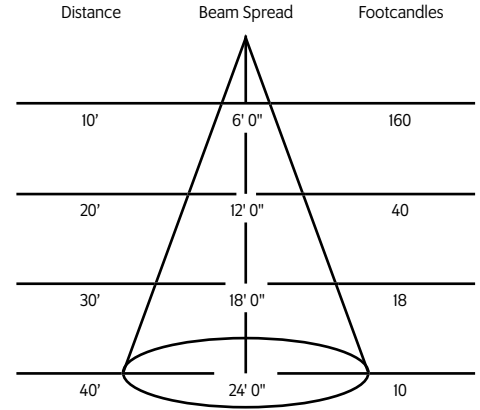
12° Spot Reflector



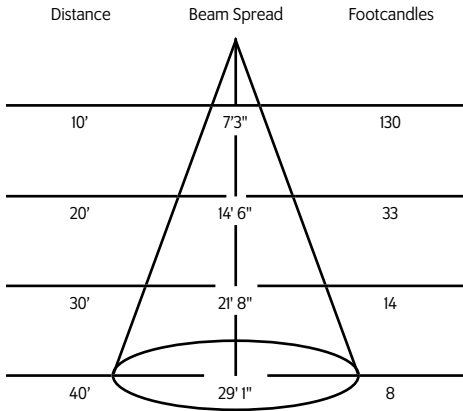
19° Spot Reflector



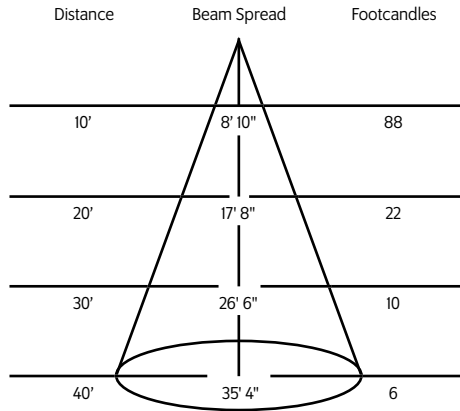
33° Narrow Flood Reflector



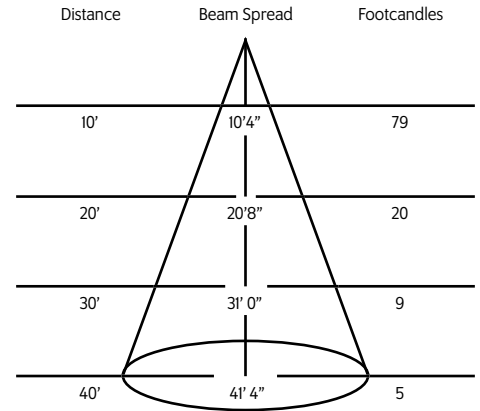
40° Flood Reflector



48° Wide Flood Reflector



55° Wide Flood Reflector



64° Wide Flood Reflector

