



A39T6H 39W T6 A70T6H 70WT6



5 Holt Drive,
Stony Point, NY 10980
845-947-3034
info@tslight.com

The A39T6H and the A70T6H are ideal for commercial and retail wall wash applications. These units utilize a high performance T6 metal halide lamp with a textured reflector in 39 or 70-watts.

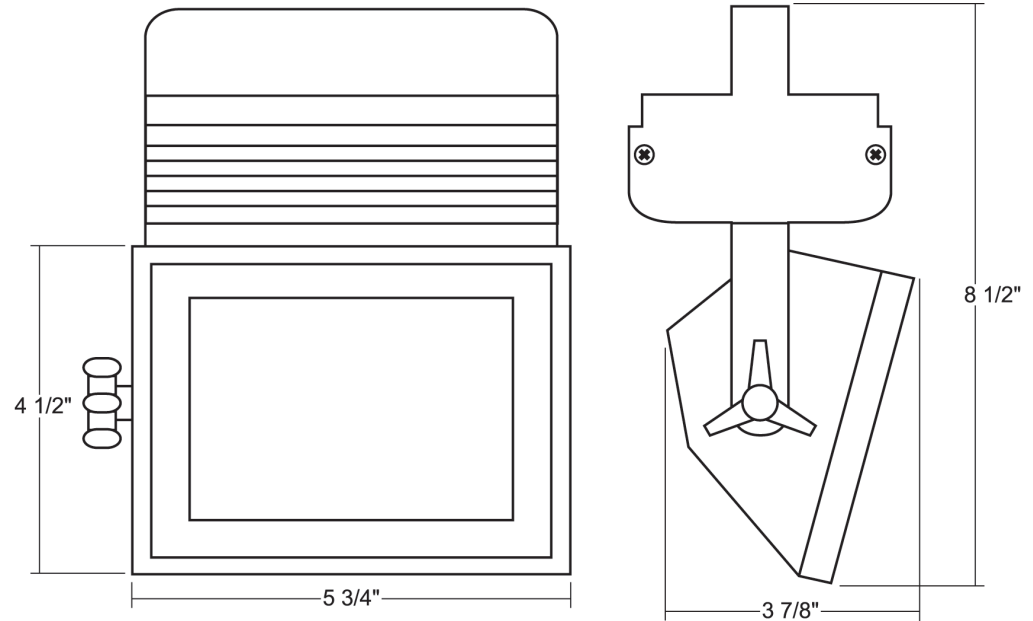
The A39T6H and the A70T6H feature a hinged front for easy re-lamping and tool free accessory changes. Electronic horizontal ballast and adjustable head. Available in standard black, white and silver finishes. Custom colors are available by request and at an additional charge.

Manufactured in the USA - IBEW

PRODUCT LISTED
BY A NATIONALLY
RECOGNIZED
TESTING
LABORATORY

Features

- 120 and 277-volt available
- A39T6H accepts 39-watt T6 metal halide lamps
- A70T6H accepts 70-watt T6 metal halide lamps
- Energy efficient
- Long lamp life
- Numerous mounting options and accessories
- Weight: 3.5 lbs



Lamp Types

CDM35/T6/830
CDM70/T6/830

39W Clear; 12000Hrs; 3400 Lumens; 81 CRI; 3000°K Color Temp
70W Clear; 12000Hrs; 6200 Lumens; 81 CRI; 3000°K Color Temp

Osram Powerball

MC39T6/U/G12/830 PB
MC70T6/U/G12/830 PB

35W Clear; 8000Hrs; 3400 Lumens; 85 CRI; 3000°K Color Temp
70W Clear; 8000Hrs; 6700 Lumens; 85 CRI; 3000°K Color Temp

Ordering Matrix

Model	Finish	Mounting	Accessories
A39T6H A70T6H	B = Black W = White S = Silver CC = Custom Color	See Mounting Options	See Accessory Options

Example: A39T6H-B-TI-LV6

A39T6H - _____ | A70T6H - _____

Photometrics to follow.

AD1

Track adapter for commercial grade 1 & 2 circuit track. 120V. For use with Lightweight fixtures.

T1

Track adapter for commercial grade 1 & 2 circuit track. 120V. For use with larger, heavier fixtures.

TA2 / HTA2 (277)

Track adapter for G-Series specification grade 2-circuit track. 120V or 277V.

TA3

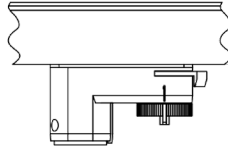
Track adapter for G-Series specification grade 3-circuit track. 120V.

TA1 / TE2 (2 circuit)

Track adapter for E-Series specification grade track. 1 or 2 circuit. 120V.

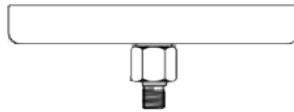
ST2

2 circuit track adapter for Data Bus. Specification grade track. 120V.



CM4

Canopy mount.



US1

6 5/8" x 1 1/2" Unistrut adapter.

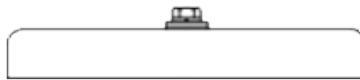


TB4

6 1/4" Portable wall mount/table base floor, wall or table use.

TB8

8" x 8" Portable table base for floor or table use.



MC

Light duty pipe clamp for small fixtures. For pipes up to 15/16" O.D.

MN

Medium duty pipe clamp for small to large fixtures. For pipes up to 2" O.D.

PC9M

Heavy duty pipe clamp for large, heavy fixtures. For pipes up to 2" O.D.



* AC11 accessory cartridge is required when adding louvers, barndoors or additional glass lenses.

AC11

Accessory Cartridge

LV11

Louver

GF11

Glass Color Filter

GF11-600

5°x50° Linear Lens

GF11-601

Beam Softener

GF11-673

50°x°50 Spread Lens

GF11-702

UV Blocking Filter

CC18

Coiled Cord

SC-24

Safety Cable

Extension Wands

SP 12

12" Stem

SP 18

18" Stem

SP 24

24" Stem

SP X

Custom Length

Finish

B

Black

W

White

S

Silver

CC

Custom Color

