



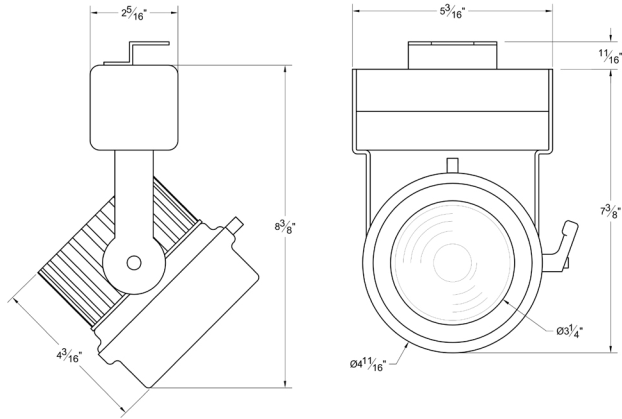
JCR Series

Track Light



5 Holt Drive,
Stony Point, NY 10980
845-947-3034
info@tslight.com

The JCR is suited for short to medium throws. This power saving fixture can produce up to 175 lumens per watt. It features passive cooling, a long-life LED, and 1% dimming. Multiple mounting options, accessories, and dimming types are available.



Manufactured in the USA - IBEW



Electrical

- Integral electronic driver
- 120-277V, 50/60Hz
- Meets FCC 47 CFR Part 15/18 Requirements

Construction

- Steel & aluminum housing with black, white or silver finish
- Weight: 2 lbs. 10 oz.

Dimming

- 1% dim for all 120V options.
- Trailing edge (ELV): 120V / 277V
- Leading edge (Triac): 120V only
- 0-10V: Canopy, STA, STA1 or HSTA mounting options only.
- Lutron ecosystem premier driver available, featuring dimming to 0.1% and soft on/soft off incandescent like dimming. Only available on fixtures 20 watts or less (canopy mount only).

CRI	Lumens	Watts	Lumens per Watt
80	1000	5.7	175
80	2000	11.6	172
80	2800	16.4	171
80	3700	23	161
80	4200	28	143
92	800	5.7	140
92	1600	11.6	138
92	2200	16.4	134
92	3000	23	130
92	3500	28	117

Ordering Matrix

Model	Lumens	CRI	Color Temp	Finish
JCR	8 = 800* 10 = 1000** 16 = 1600* 20 = 2000** 22 = 2200* 28 = 2800** 30 = 3000* 35 = 3500* 37 = 3700**	80 92	27 = 2700K 30 = 3000K 35 = 3500K 40 = 4000K 57 = 5700K**	B = Black W = White S = Silver CC = Custom Color
Voltage	Optics	Mounting	Dimming †	Accessories
120 240 277	20 = 20° 40 = 40° 48 = 48° 64 = 64°	See Mounting Options	TE = Trailing Edge*** LE = Leading Edge (120V Only) 010 = 0-10V ECP = Ecosystem premier 0.1% dim	See Accessory Options

Maximum ambient temperature: 35°C * 92 CRI Only ** 80 CRI Only
Maximum operating angle: 45° from vertical *** Not available with 800, 1000, 3500 or 4200 lumen fixtures @ 277V

† See "Notes on Dimming"

Example: JCR16-9230-B-120-40-CM4-TE

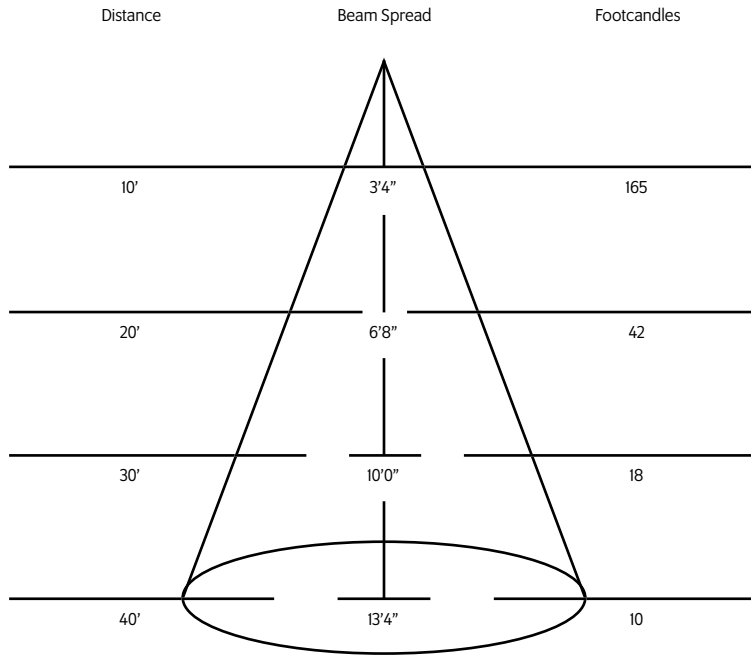
JCR- _____ - _____ - _____ - _____ - _____ - _____ - _____ - _____

* Specification sheets are subject to change without notice.

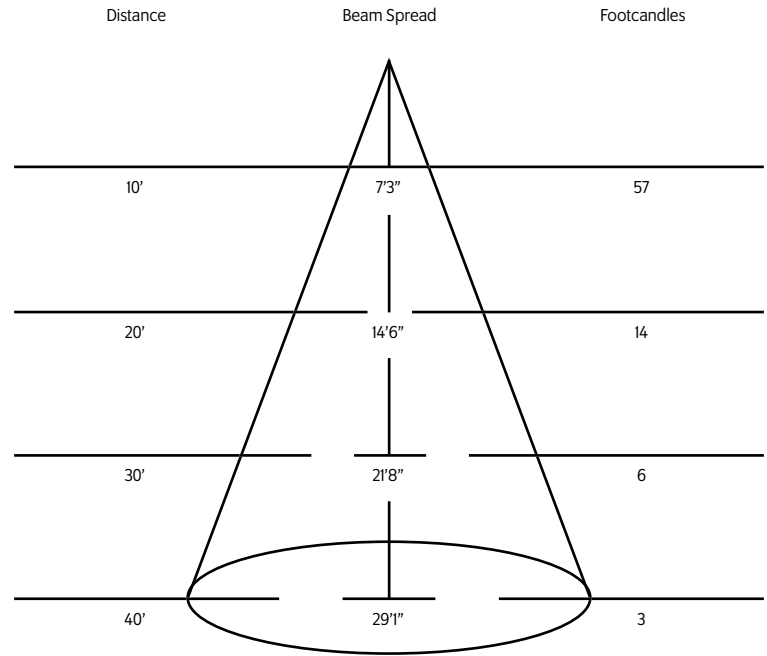
Photometric Data

Results for 4,200 Lumen Output. For other Lumen outputs, use the other lumen output multipliers chart.

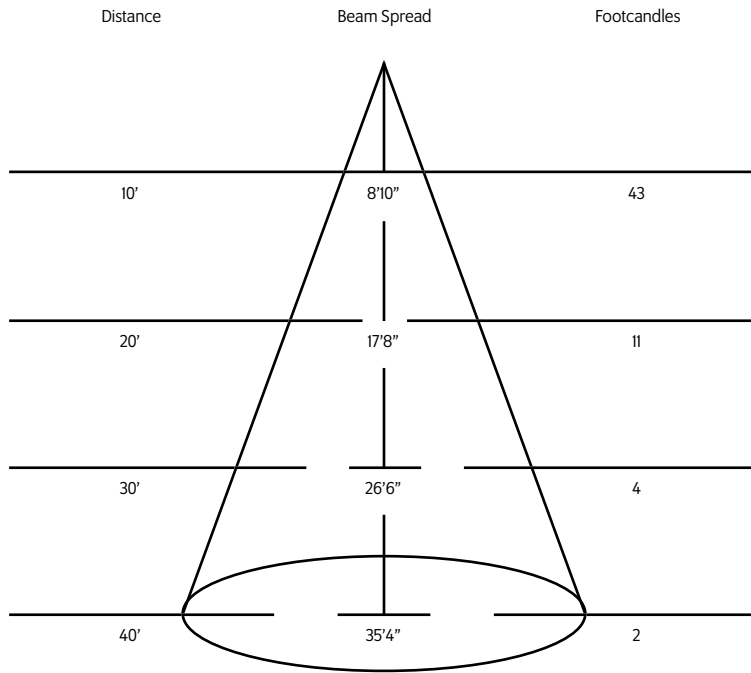
20° Spot Reflector



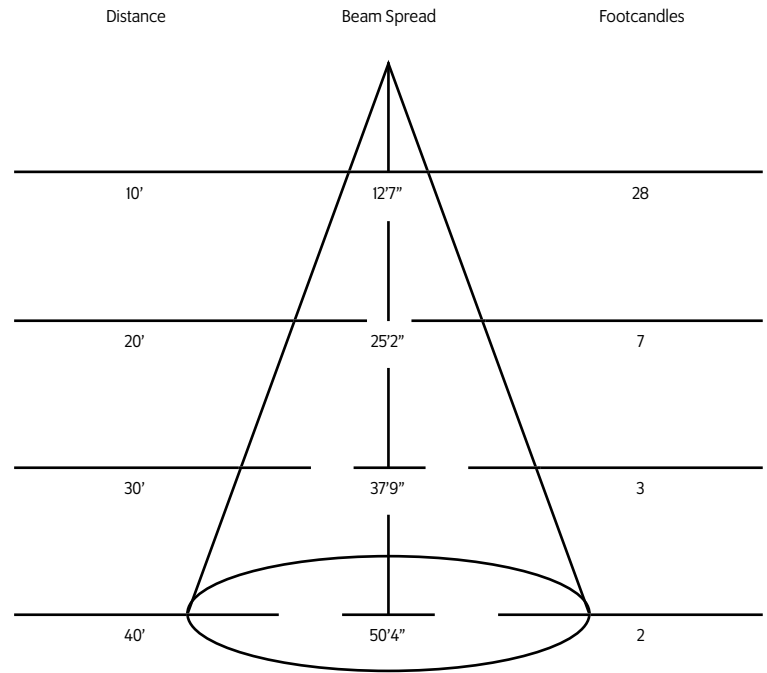
40° Spot Reflector



48° Spot Reflector



64° Spot Reflector



Other Lumen Output Multipliers

FOR 80 CRI LUMEN OUTPUT	FOOTCANDLES
1000	.24
2000	.48
2800	.67
3700	.88

FOR 90 CRI LUMEN OUTPUT	FOOTCANDLES
800	.19
1600	.38
2200	.52
3000	.71
3500	.83

Mounting Options

ADI Track Adapter for commercial grade 1 & 2 circuit track. 120V. For use with larger, heavier fixtures.

TAI Track adapter for E-Series specification grade track. 1 circuit. 120V.

TA2 Track adapter for G-Series specification grade 2-circuit track. 120V.

HTA2 Track adapter for G-Series specification grade 2-circuit track. 277V.

STAI 1 circuit track adapter for Data Bus. Specification grade track. 120V.

STA 2 circuit track adapter for Data Bus. Specification grade track. 120V.

DT2 Track adapter for SpecTrack 2-Circuit data track. 120V.

HDT2 Track adapter for SpecTrack 2-Circuit data track. 277V.

HSTA 2 circuit track adapter for Data Bus. Specification grade track. 277V.

TA3 Track adapter for G-Series specification grade 3-circuit track. 120V.

CM4 Canopy Mount

USI 6 $\frac{5}{8}$ " x 1 $\frac{1}{2}$ " Unitrut Adapter

TB4 4" x 4" Portable table base for floor and table use

MC Light duty pipe clamp for small fixtures. For pipes up to 1 5/16" O.D.

MN Medium duty pipe clamp for small to large fixtures. For pipes up to 2" O.D.

Accessories

LV6	Louwer
XL6	Cross Baffle Louwer
BD10	Barndoor
HD6	Hood
XH6	Cross Baffle Hood
SH6	Sparkle Hood
CF10	Color Frame
DF10	Glass Color Filter
DF10	Dichroic Color Filter
GF10-600	50°x50° Linear Lens
GF10-601	Beam Softener
GF10-673	50°x50° Spread Lens
GF10-702	UV Blocking Filter
CC18	Coiled Cord
SC-24	Safety Cable
IP	Integral Dimmer
WL	Wrench Locking

Extension Wands

SP12	12" Stem
SP18	18" Stem
SP24	24" Stem
SPX	Custom Length



* For notes on dimming, please [click here](#).