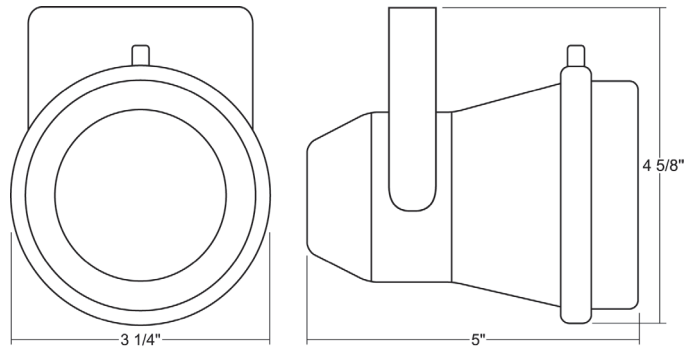




The SB20 is ideal for lighting museums, exhibits, and retail applications. The SB20 features an internal self-locking yoke, adjustable head and hinged front for easy re-lamping. Internal accessory holder accepts louvers, barndoors, hoods and a variety of filters. Available in standard black, white and silver finishes. Custom colors are available by request and at an additional charge.

FEATURES

- Accepts PAR16 and PAR20 lamps and LEDs
- Internal self-locking yoke
- Numerous mounting options and accessories
- Weight: 0.8 lbs



MODEL NUMBER	FINISH	MOUNTING	ACCESSORIES
SB20	B Black W White S Silver CC Custom Color	AD1 Track Adapter. 1 Circuit. 120V. TA1 Track Adapter. E-Series. 1 Circuit. 120V. TA2 Track Adapter. G-Series. 2 Circuit. 120V. TA3 Track Adapter. G-Series. 3 Circuit. 120V. CM1 Low Profile Canopy for standard 4" Electrical Boxes. TB4 6 1/4" Portable Wall Mount/Table Base Floor. US1 6 5/8" x 1 1/2" Unistrut Adapter MC Light Duty Pipe Clamp. For pipes up to 15/16" O.D. MN Medium Duty Pipe Clamp. For pipes up to 2" O.D.	LV3 Louver XL3 Cross Baffle Louver BD3 Barndoor HD3 Hood SH3 Sparkle Hood GF3 Glass Color Filter DF3 Dichroic Color Filter GF3-600 5°x50° Linear Lens GF3-601 Beam Softener GF3-673 50°x50° Spread Lens CC18 Coiled Cord SC-24 Safety Cable IP Integral Dimmer WL Wrench Locking WW3 Wall Wash Kicker w/Spread Lens

EXAMPLE: SB20 - B - TA2 - LV3

MODEL NUMBER	FINISH	MOUNTING	ACCESSORIES
SB20			