

E-Series

Specification Grade 1

Circuit 120 Volt Track



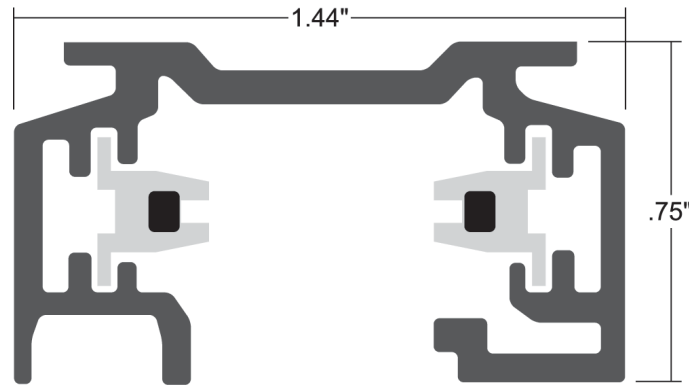
5 Holt Drive,
Stony Point, NY 10980
845-947-3034
info@tslight.com

TRACK SECTION

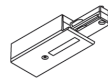
4 ft. SG 4
8 ft. SG 8
12 ft. SG 12

Add suffix B-Black, W-White, 1-Natural.
Custom lengths available.

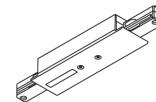
Please consult factory.



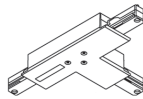
COMPONENTS *(Add suffix B-Black, W-White, S=Silver)*



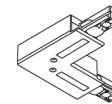
SG 11 (ground contact right)
SG 11L (ground contact left)
Live End Feed
Used when energizing track from an outlet box or conduit feed.



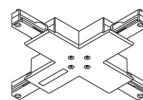
SG 14
Center Feed
Used to join two sections of track together in a straight line. May be used as a feed point.



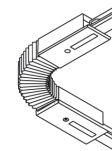
SG 36 (right)
SG 37 (left)
T Connector Feed
Used to join three sections of track in a "T" configuration. May be used as a feed point.



SG 24 (ground contact right)
SG 25 (ground contact left)
L Connector Feed
Used to join two sections of track together at a 90° angle. May be used as a feed point.



SG 38
X Connector Feed
Used to join four sections of track together in an "X" configuration. May be used as a feed point.



SG 23
Flex Connector
Used to join two sections of track together to create angles from 0° to 180°. Can be flexed on horizontal or vertical planes.



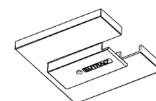
SG 21
Straight Connector
Used to join two sections of track together in a straight line.



SG 41
End Caps
Used to end any open configuration of track.



XTSAJ 10
Conduit Adapter
Used to attached power to any live feed.



SG 15
End Feed Canopy Cover
Used to cover an outlet box when using a live end.

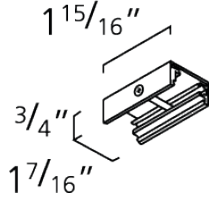
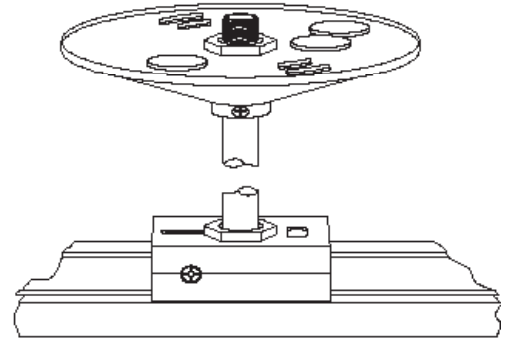


SG 16
Multiple Feed Canopy Cover
Used to cover an outlet box when using multiple feeds.

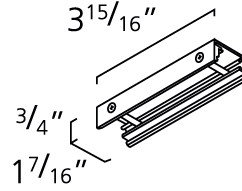
PENDANT MOUNT (Add suffix B-Black, W-White, S=Silver)

3/8" Stem and canopy kit for mechanical and electrical suspension. Does not include mounting hardware to attach stem to track - order separately. Custom lengths available.

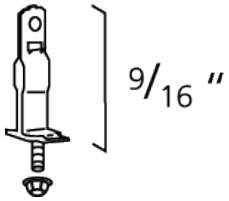
Length	Model #
12 in.	SPUS 12
18 in.	SPUS 18
24 in.	SPUS 24
36 in.	SPUS 36
48 in.	SPUS 48



SGM2
2" Pendant Clip
For pendant mounting with aircraft cables or 3/8" stem.



SGM4
4" Pendant Clip
For joints of pendant mounted tracks, suspended with aircraft cables or 3/8" stem.



TS-401
T-Bar Mounting Clip
Caddy Clip for t-bar systems.

CABLE MOUNT (Add suffix B-Black, W-White, S=Silver)

Cable kit with canopy. Custom lengths are available.

Length	Model #
24 in.	CG 24
36 in.	CG 48
72 in.	CG 72

