



# PBR High Power



5 Holt Drive  
Stony Point, NY 10980  
845-947-3034  
info@tslight.com

The PBR High Power uses the Bridgelux Thrive™ LED which closely matches the spectra of natural light over the visible wavelength range. Thrive™ brings full spectrum natural light indoors, ideal for plant life at all growth stages, and incorporates circadian elements that may impact human well-being. The high fidelity spectral output of Thrive™ creates stunning environments with excellent color rendering and outstanding TM30 metrics. The PBR High Power is available in standard black, white, or silver finishes. Custom colors are available upon request.

Manufactured in the USA - IBEW

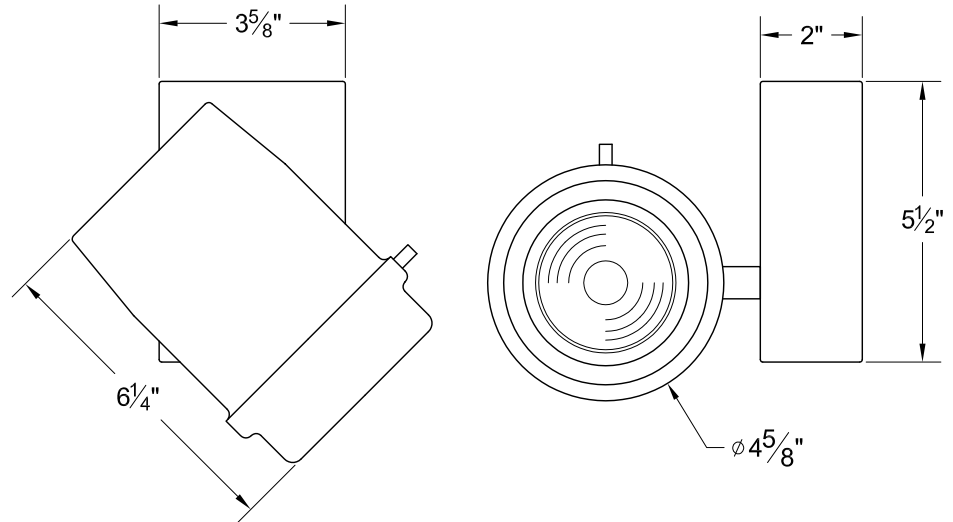


## Electrical

- Integral electronic driver
- 100-277V, 50/60Hz
- Meets FCC 47 CFR Part 15/18 Requirements

## Construction

- Steel & aluminum housing with black, white or silver finish
- 0-180° tilt, 360° rotation
- Accepts up to 3 accessories
- Weight: 3 lbs.



## LED

- Engineered spectrum to closely match natural light
- CRI>95, RI-RI5>90, high Rf and Rg values
- High efficacy full spectrum solution
- No violet chip augmentation
- Hot color targeted
- Full consistent spectrum with few spectral spikes
- Natural and vivid color rendering

Model	CRI	Total Wattage	Delivered Lumens	Efficacy (Lm/W)
PBR42	95	40	4200	105
PBR46	95	45	4600	102
PBR52	95	55	5200	95

\* Total wattage equals LED plus driver. Delivered lumen may vary depending on LED module, color temperature, optics, and accessories. Testing done with 4000K LED array.

## Ordering Matrix

Model	Lumens	CRI	Color Temp	Finish	Voltage	Optics	Mounting	Dimming †	Accessories
PBR	42=4200 46=4600 52=5200	95	40 = 4000K	B = Black W = White S = Silver CC = Custom Color	120 240 277	10 = 10° 20 = 20° 40 = 40° 60 = 60°	See Mounting Options	TE = Trailing Edge** LE = Leading Edge*** 0I0 = 0-10V ND = Non-Dimming IP = Integral Dimmer**	See Accessory Options

Maximum ambient temperature: 35°C  
Maximum operating angle: 45° from vertical

\*\* Available on 4200 and 5200 lumen only.  
\*\*\* 120V Only

† See "Notes on Dimming" on reverse  
‡ Non-dim or 0-10V dimming only

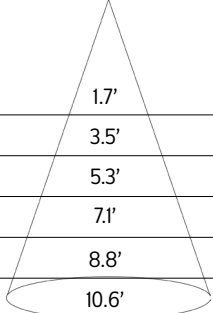
Example: PBR42-9540-B-120-40-ADI-TE-LV6

PBR \_\_\_\_\_ - \_\_\_\_\_ - \_\_\_\_\_ - \_\_\_\_\_ - \_\_\_\_\_ - \_\_\_\_\_ - \_\_\_\_\_ - \_\_\_\_\_

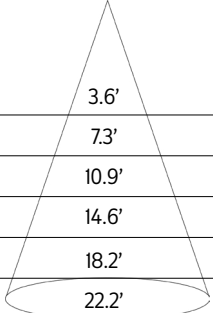
\* Specification sheets are subject to change without notice.

## Photometric Data

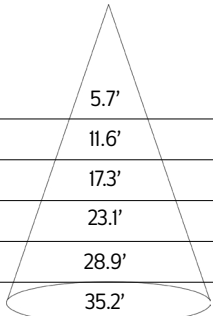
Distance	20° Spot Reflector		Footcandles		
	Beam Spread		PBR42	PBR46	PBR52
5'	1.7'		667	722	824
10'	3.5'		167	181	206
15'	5.3'		74	80	92
20'	7.1'		41	45	52
25'	8.8'		26	29	33
30'	10.6'		18	20	23



Distance	40° Medium Flood Reflector		Footcandles		
	Beam Spread		PBR42	PBR46	PBR52
5'	3.6'		341	373	422
10'	7.3'		85	93	106
15'	10.9'		37	41	47
20'	14.6'		21	23	26
25'	18.2'		14	15	17
30'	22.2'		9	10	12



Distance	60° Medium Flood Reflector		Footcandles		
	Beam Spread		PBR42	PBR46	PBR52
5'	5.7'		199	218	246
10'	11.6'		50	55	62
15'	17.3'		22	24	27
20'	23.1'		12	13	15
25'	28.9'		8	9	10
30'	35.2'		5	6	6



## Mounting Options

**AD1** Track adapter for commercial grade 1-circuit track. Good for use with small, lightweight fixtures.

**TA2** Track adapter for G-Series specification grade 2-circuit track. 120V.

**HTA2** Track adapter for G-Series specification grade 2-circuit track. 277V.

**HSTA** Circuit track adapter for Data Bus. Specification grade e-series track. 277V.

**STA 2** circuit track adapter for Data Bus. Specification grade track. 120V.

**TA3** Track adapter for G-Series specification grade 3-circuit track. 120V.

**CM4** Canopy Mount

**US1** 6<sup>5</sup>/<sub>8</sub>" x 1<sup>1</sup>/<sub>2</sub>" Unitrut Adapter

**TB8** 8" x 8" Portable table base for floor and table use

**MC** Light duty pipe clamp for small fixtures. For pipes up to 1 5/16" O.D.

**MN** Medium duty pipe clamp for small to large fixtures. For pipes up to 2" O.D.

**PC9M** Heavy duty pipe clamp for large, heavy fixtures. For pipes up to 2" O.D.

## Accessories

<b>LV6</b>	Louver
<b>XL6</b>	Cross Baffle Louver
<b>BD10</b>	Barndoor
<b>HD6</b>	Hood
<b>XH6</b>	Cross Baffle Hood
<b>X00517 *</b>	Accessory Holder
<b>GF22-600</b>	5°x50° Linear Lens
<b>GF22-601</b>	Beam Softener
<b>GF22-673</b>	50°x50° Spread Lens
<b>CC18</b>	Coiled Cord
<b>SC-24</b>	Safety Cable

\* Required accessory when using glass or dichroic filters

## Extension Wands

<b>SP 12</b>	12" Stem
<b>SP 18</b>	18" Stem
<b>SP 24</b>	24" Stem
<b>SP X</b>	Custom Length

\* For notes on dimming, please [click here](#).